

# Setup Sheet



Editable by  
Am0 at PetitRC.com

Driver \_\_\_\_\_

Track / City \_\_\_\_\_

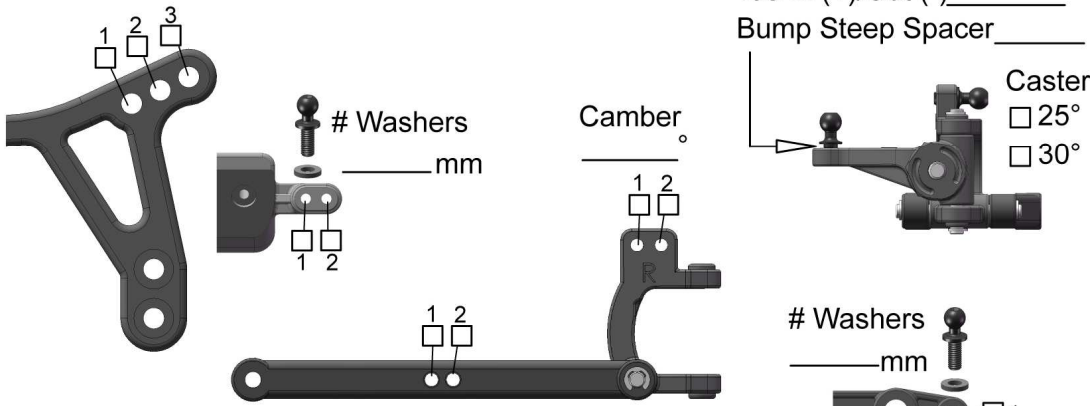
Event \_\_\_\_\_ Date \_\_\_\_ / \_\_\_\_ / \_\_\_\_

## Conditions

- |  |                                 |                                    |                                       |                                       |
|--|---------------------------------|------------------------------------|---------------------------------------|---------------------------------------|
| <input type="checkbox"/> High traction | <input type="checkbox"/> Smooth | <input type="checkbox"/> Bumpy     | <input type="checkbox"/> Low traction | <input type="checkbox"/> Med traction |
| <input type="checkbox"/> Clay          | <input type="checkbox"/> Sandy  | <input type="checkbox"/> Soft dirt | <input type="checkbox"/> Grass        | <input type="checkbox"/> Hard soil    |
|  | <input type="checkbox"/> Wet    | <input type="checkbox"/> Dry       | <input type="checkbox"/> Dusty        | <input type="checkbox"/> Other        |

## Front Suspension

### Shock Mounting & Camber link



Toe-in (+)/Out (-) \_\_\_\_\_ °  
Bump Steep Spacer \_\_\_\_\_

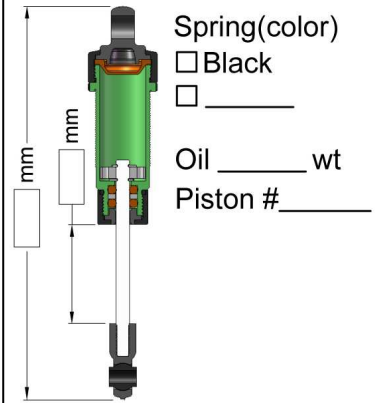
Caster  
 25°  
 30°

Camber \_\_\_\_\_ °

# Washers  
\_\_\_\_\_ mm

Ride height \_\_\_\_\_

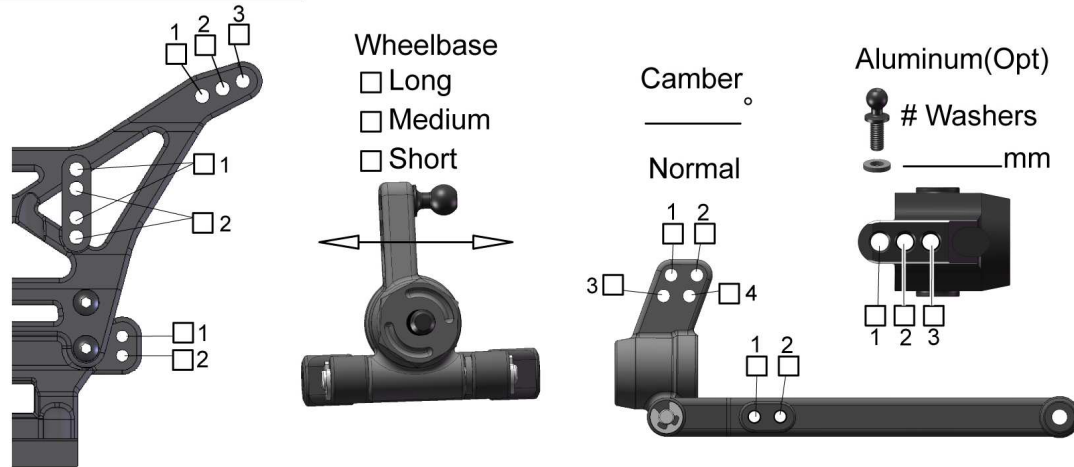
## Front Shocks



Spring(color)  
 Black  
 \_\_\_\_\_  
Oil \_\_\_\_\_ wt  
Piston # \_\_\_\_\_

## Rear Suspension

### Shock Mounting & Camber link



Wheelbase  
 Long  
 Medium  
 Short

Camber \_\_\_\_\_ °

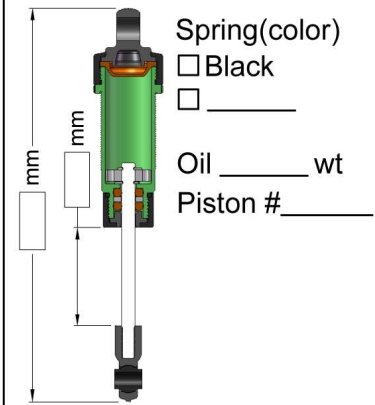
Aluminum(Opt)

# Washers  
\_\_\_\_\_ mm

Normal

Ride height \_\_\_\_\_

## Rear Shocks



Spring(color)  
 Black  
 \_\_\_\_\_  
Oil \_\_\_\_\_ wt  
Piston # \_\_\_\_\_

## Front Tires & Wheels

Front Tires \_\_\_\_\_  
Inserts \_\_\_\_\_ Wheels \_\_\_\_\_

## Rear Tires & Wheels

Rear Tires \_\_\_\_\_  
Inserts \_\_\_\_\_ Wheels \_\_\_\_\_

## Batteries

Servo \_\_\_\_\_  
Esc \_\_\_\_\_  
Batteries \_\_\_\_\_

## Motor

Motor \_\_\_\_\_  
Pinion/Spur \_\_\_\_\_ / \_\_\_\_\_

## Other

Wing \_\_\_\_\_  
Wing Angle  4°  10°

## Comments

Notes \_\_\_\_\_

\_\_\_\_\_

\_\_\_\_\_