

Driver _____

Track / City _____

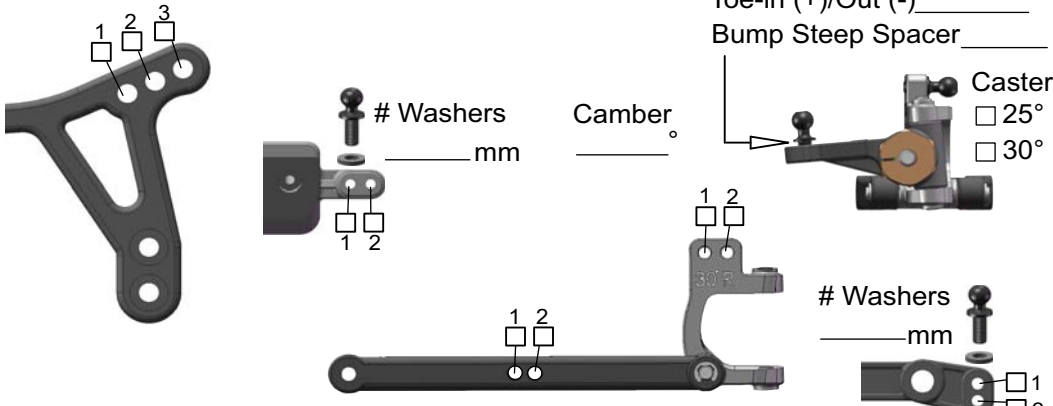
Event _____ Date _____

SETUP SHEET for the TeamC TC02C EVO

Conditions

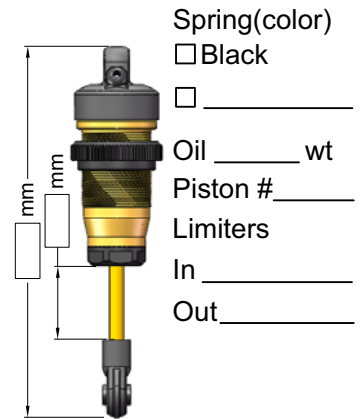
- | | | | | |
|--|---------------------------------|------------------------------------|---------------------------------------|---------------------------------------|
| <input type="checkbox"/> High traction | <input type="checkbox"/> Smooth | <input type="checkbox"/> Bumpy | <input type="checkbox"/> Low traction | <input type="checkbox"/> Med traction |
| <input type="checkbox"/> Clay | <input type="checkbox"/> Sandy | <input type="checkbox"/> Soft dirt | <input type="checkbox"/> Grass | <input type="checkbox"/> Hard soil |
| | <input type="checkbox"/> Wet | <input type="checkbox"/> Dry | <input type="checkbox"/> Dusty | <input type="checkbox"/> _____ |

Front Suspension Shock Mounting & Camber link

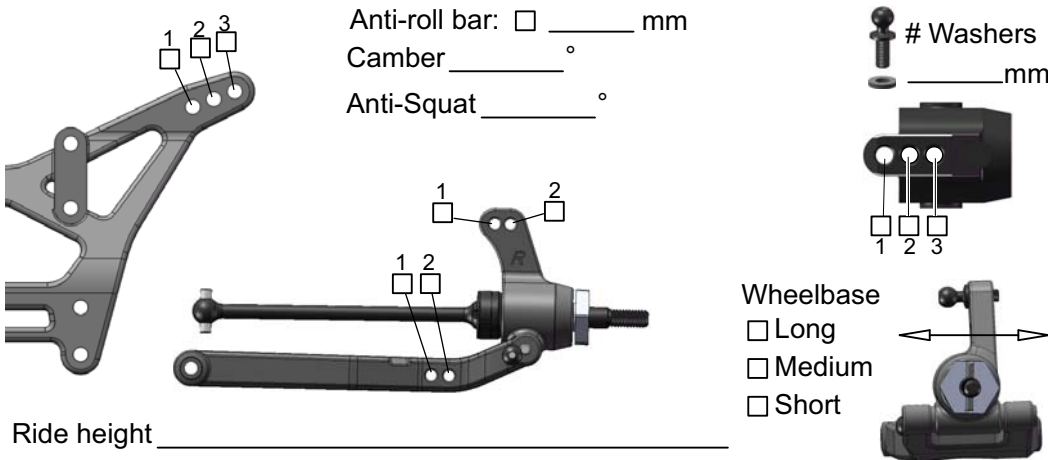


Ride height _____

Front Shocks

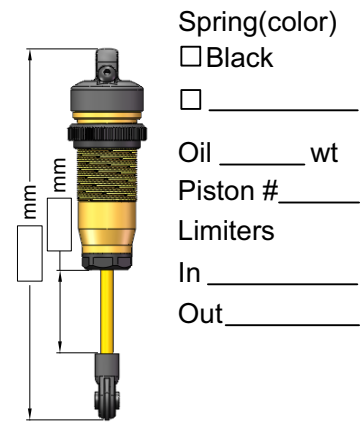


Rear Suspension Shock Mounting & Camber link



Ride height _____

Rear Shocks



Diff

Brand _____
 Oil wt _____

Tires & Wheels

Front _____ Rear _____
 Notes _____ Notes _____
 Inserts _____ Wheels _____ Inserts _____ Wheels _____

Electronics

Servo _____
 ESC _____
 Setting _____

Motor _____
 Timing _____
 Pinion/Spur _____ / _____
 Batteries _____

Wing

Type _____
 Lip _____
 Wing Angle 4° 10°

Comments