

# TC02C EVO

SETUP SHEET for the TeamC TC02C EVO

Driver \_\_\_\_\_

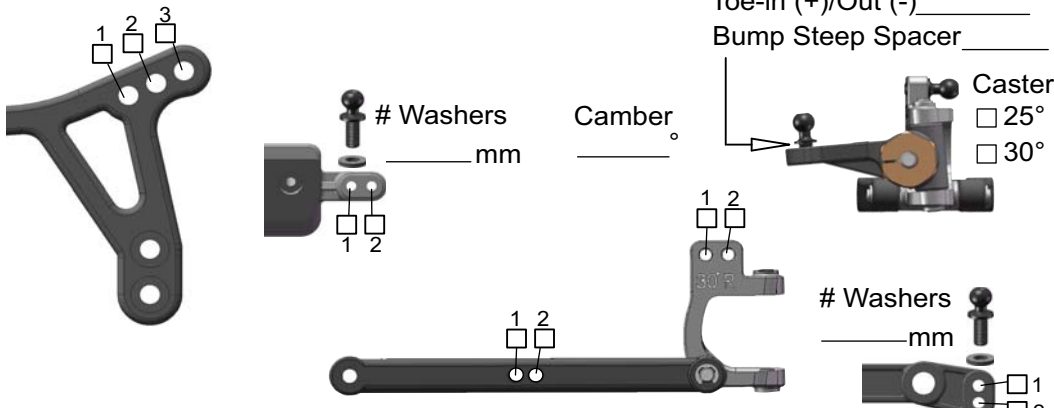
Track / City \_\_\_\_\_

Event \_\_\_\_\_ Date \_\_\_\_ / \_\_\_\_ / \_\_\_\_

## Conditions

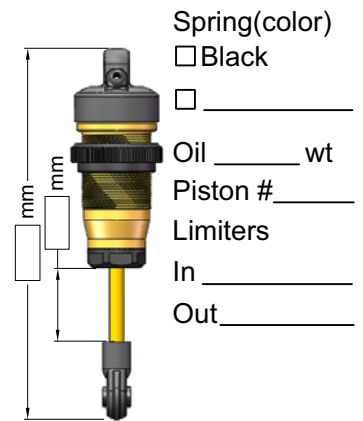
- |  |                                 |                                    |                                       |                                       |
|--|---------------------------------|------------------------------------|---------------------------------------|---------------------------------------|
| <input type="checkbox"/> High traction | <input type="checkbox"/> Smooth | <input type="checkbox"/> Bumpy     | <input type="checkbox"/> Low traction | <input type="checkbox"/> Med traction |
| <input type="checkbox"/> Clay          | <input type="checkbox"/> Sandy  | <input type="checkbox"/> Soft dirt | <input type="checkbox"/> Grass        | <input type="checkbox"/> Hard soil    |
|  | <input type="checkbox"/> Wet    | <input type="checkbox"/> Dry       | <input type="checkbox"/> Dusty        | <input type="checkbox"/> _____        |

## Front Suspension Shock Mounting & Camber link

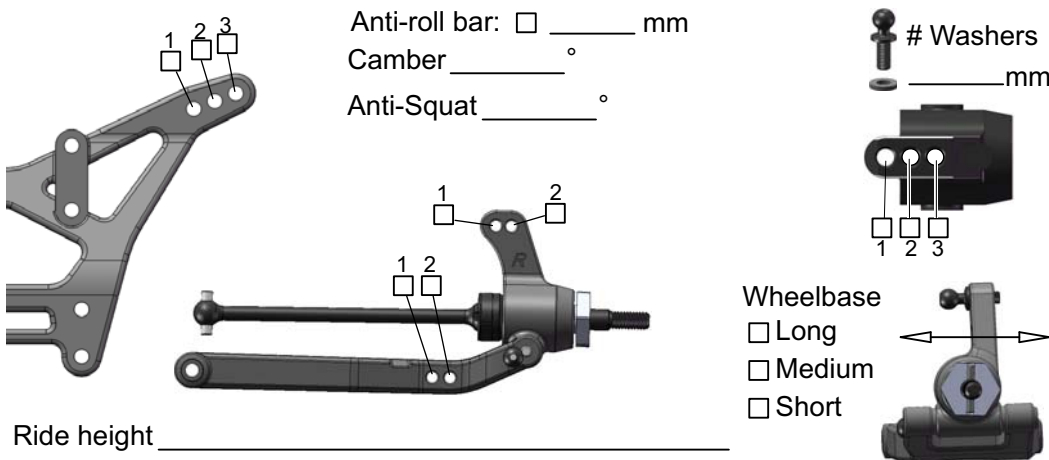


Ride height \_\_\_\_\_

## Front Shocks

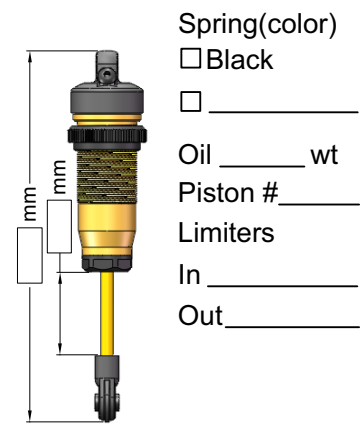


## Rear Suspension Shock Mounting & Camber link



Ride height \_\_\_\_\_

## Rear Shocks



## Diff

Brand \_\_\_\_\_

Oil wt \_\_\_\_\_

## Tires & Wheels

Front \_\_\_\_\_

Notes \_\_\_\_\_

Inserts \_\_\_\_\_ Wheels \_\_\_\_\_

Rear \_\_\_\_\_

Notes \_\_\_\_\_

Inserts \_\_\_\_\_ Wheels \_\_\_\_\_

## Electronics

Servo \_\_\_\_\_

ESC \_\_\_\_\_

Setting \_\_\_\_\_

Motor \_\_\_\_\_

Timing \_\_\_\_\_

Pinion/Spur \_\_\_\_\_ / \_\_\_\_\_

Batteries \_\_\_\_\_

## Body & Wing

Body \_\_\_\_\_

Wing \_\_\_\_\_

Wing Angle  4°  10°

## Comments

Arn0