

Setup Sheet



Editable by
Arn0 at PetitRC.com

Driver Tom Reynolds

Track / City A1 Grantham

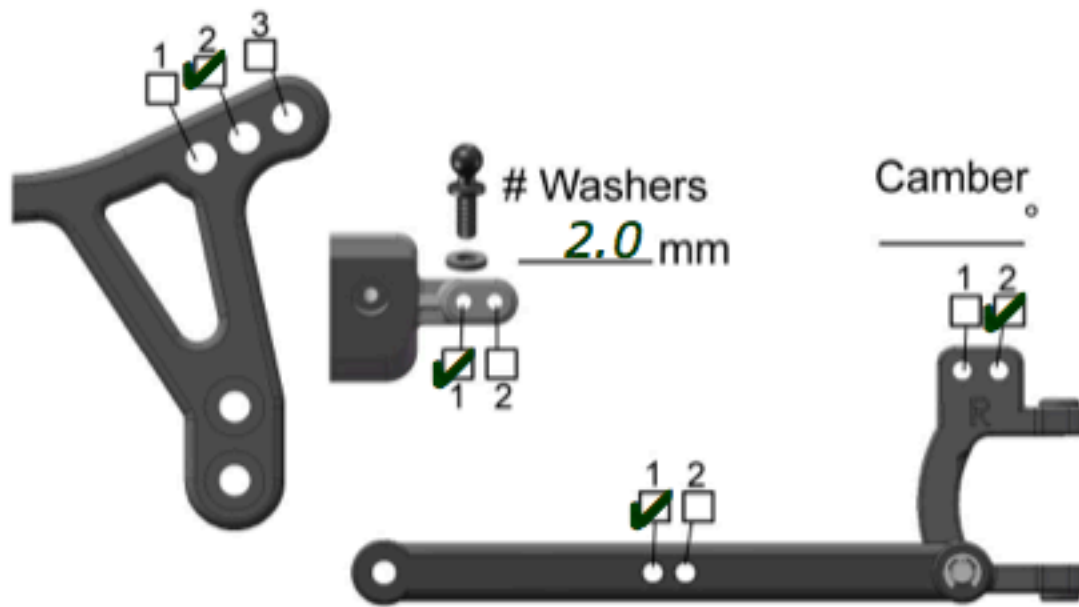
Event Mid East R4 Date 22 / 07 / 12

Conditions

- | | | | | |
|---|---------------------------------|---|---------------------------------------|---|
| <input checked="" type="checkbox"/> High traction | <input type="checkbox"/> Smooth | <input checked="" type="checkbox"/> Bumpy | <input type="checkbox"/> Low traction | <input type="checkbox"/> Med traction |
| <input type="checkbox"/> Clay | <input type="checkbox"/> Sandy | <input type="checkbox"/> Soft dirt | <input type="checkbox"/> Grass | <input type="checkbox"/> Hard soil |
| | <input type="checkbox"/> Wet | <input checked="" type="checkbox"/> Dry | <input type="checkbox"/> Dusty | <input checked="" type="checkbox"/> Other |

Front Suspension

Shock Mounting & Camber link

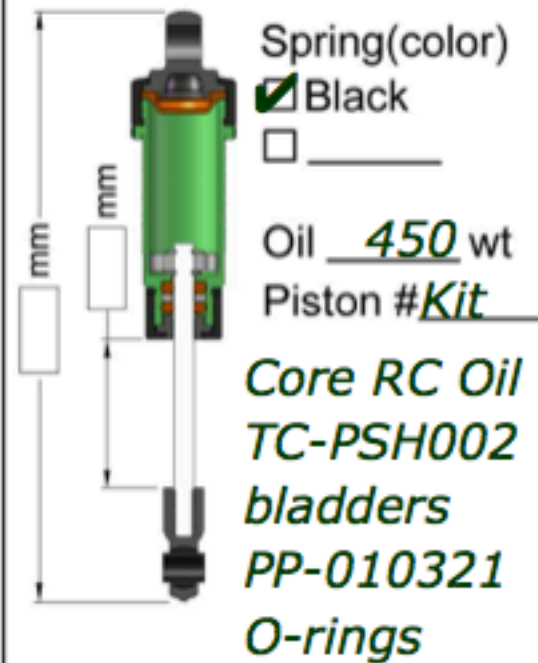


Toe-in (+)/Out (-) -1°
Bump Steep Spacer 0.0



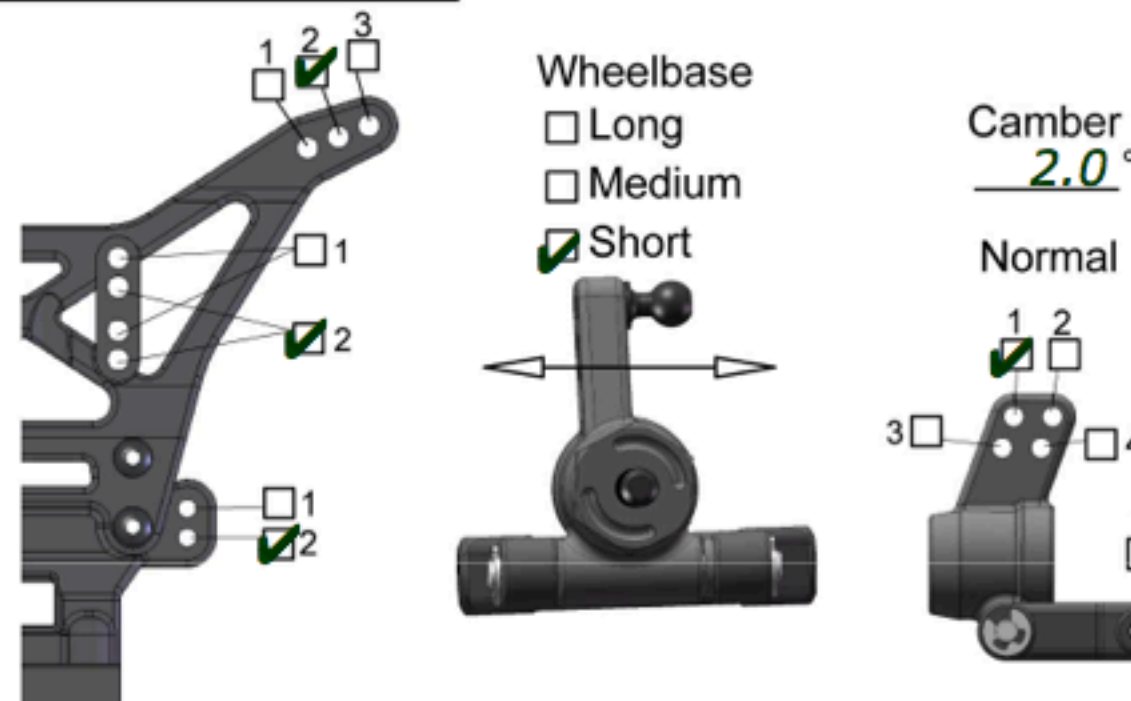
Ride height Wishbones Level

Front Shocks



Rear Suspension

Shock Mounting & Camber link



Camber 2.0°

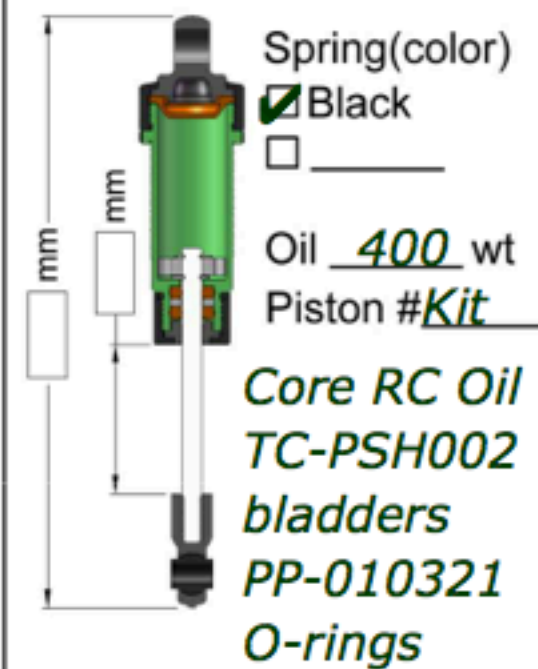
Normal

Aluminum (Opt)

Washers _____ mm

Ride height Driveshafts Level

Rear Shocks



Front Tires & Wheels

Front Tires Schumacher Cut Stagger Yello

Inserts Pre-Glued Wheels n/a

Rear Tires & Wheels

Rear Tires Schumacher Mini Spike 2 Yellow

Inserts Schumacher Med Wheels Kit

Batteries

Servo Savox SC-1251MG
Esc Speed Passion 2.0 LPF
Batteries SMC 5200 60C

Motor

Motor Thunder Power 6.5
Pinion/Spur 22 / Kit

Other

Wing Schumacher
Wing Angle 4° 10°

Comments

Notes _____

AKX2 Thresher kit fitted. Shortest wheelbase possible. Side plates raised up 12mm for increased stiffness - very high grip! Q 10th in A, finished 4th