

# TC02

SETUP SHEET for the  
TeamC TC02

Editable by  
Arn0 at PetitRC.com



Driver Kevin Schmenk

Track / City Taps RC Haralson GA

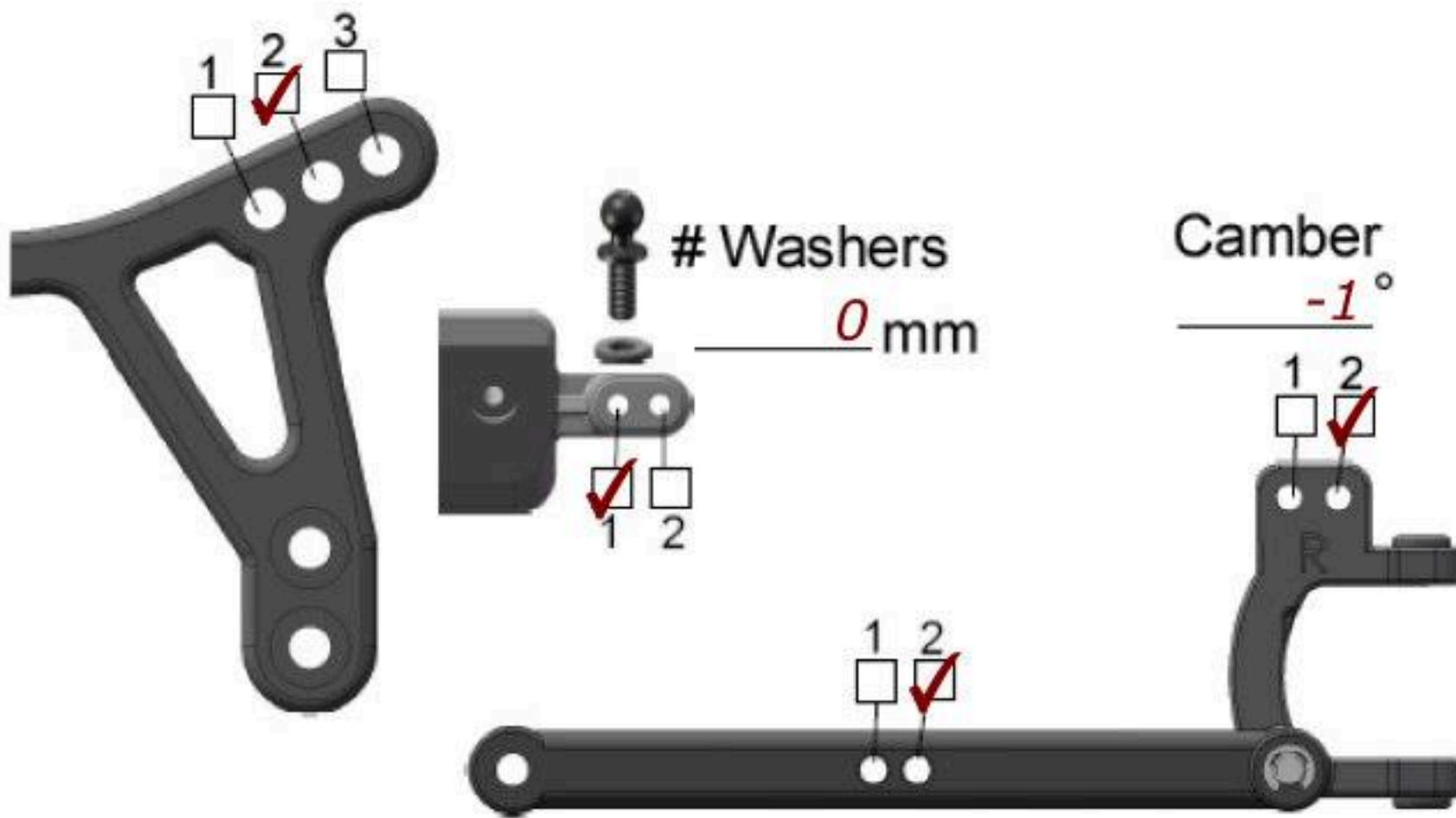
Event Winter series final Date      /      /     

## Conditions

- |   |  |   |                                       |                                       |
|---|--|---|---------------------------------------|---------------------------------------|
| <input checked="" type="checkbox"/> High traction | <input checked="" type="checkbox"/> Smooth | <input type="checkbox"/> Bumpy          | <input type="checkbox"/> Low traction | <input type="checkbox"/> Med traction |
| <input checked="" type="checkbox"/> Clay          | <input type="checkbox"/> Sandy             | <input type="checkbox"/> Soft dirt      | <input type="checkbox"/> Grass        | <input type="checkbox"/> Hard soil    |
|   | <input checked="" type="checkbox"/> Wet    | <input checked="" type="checkbox"/> Dry | <input type="checkbox"/> Dusty        | <input type="checkbox"/> Other        |

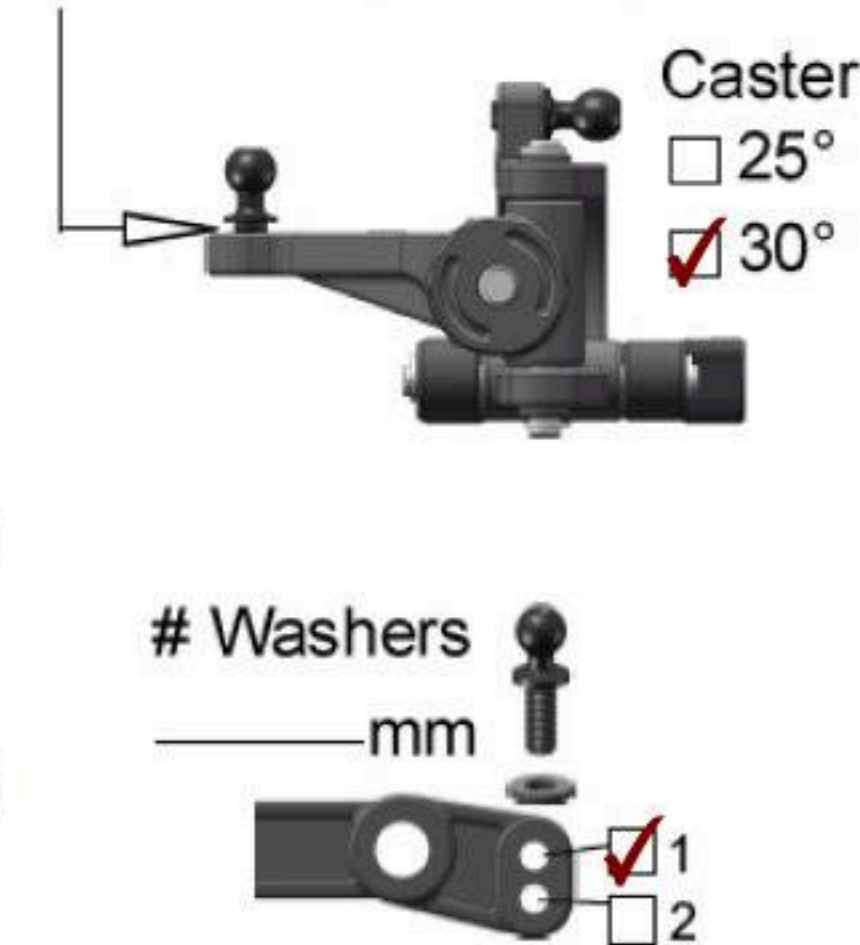
## Front Suspension

### Shock Mounting&Camber link

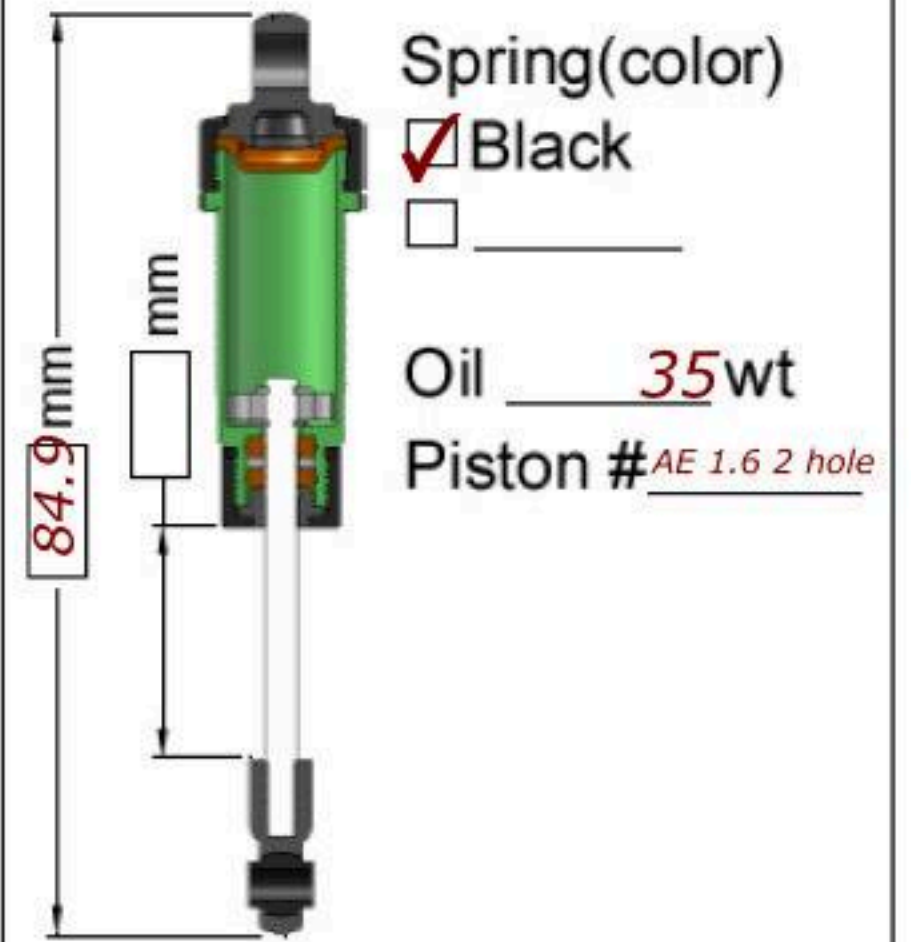


Ride height collar is lowered 6.06mm

Toe-in (+)/Out (-) -1°  
Bump Steep Spacer     

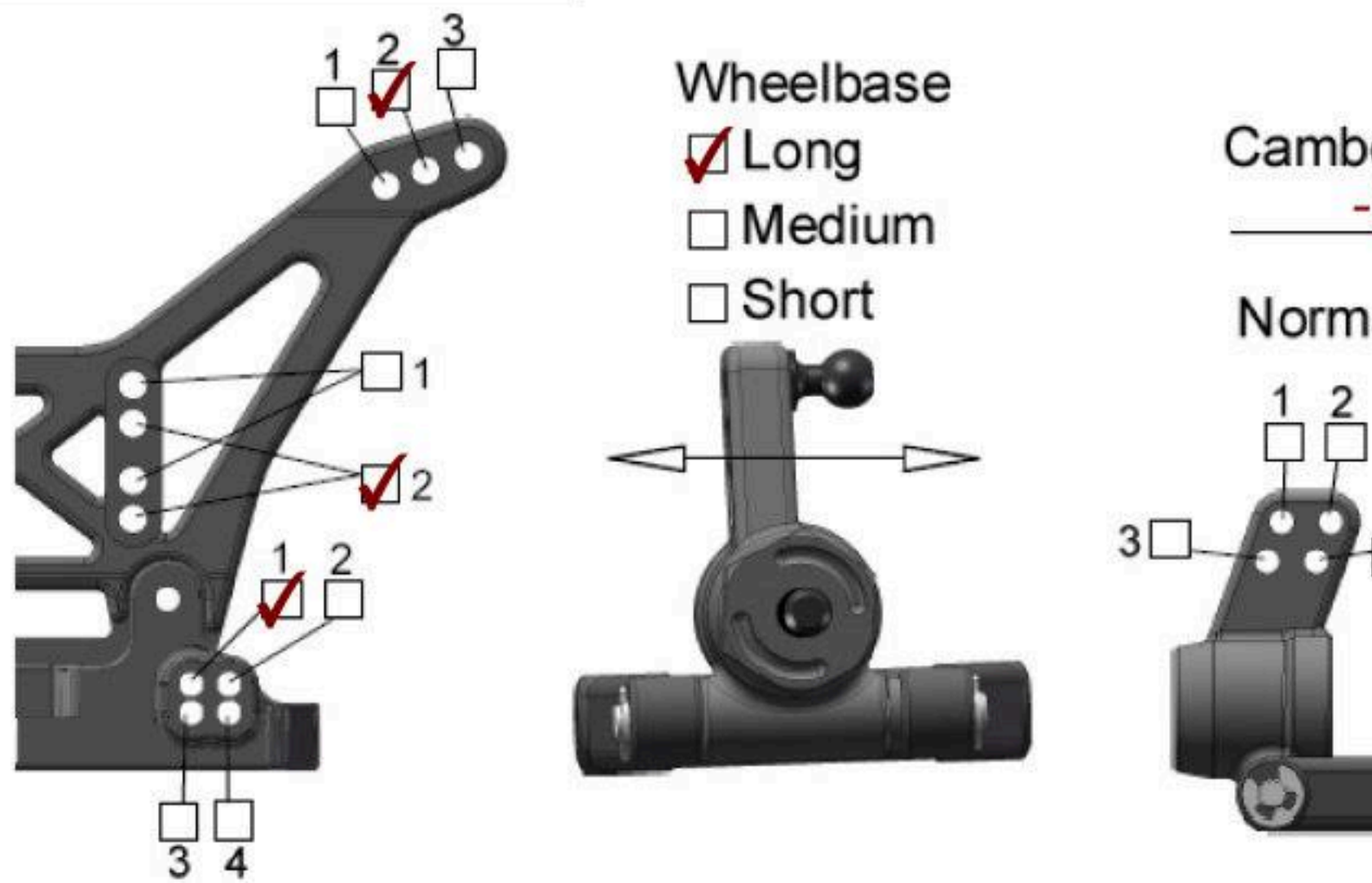


## Front Shocks



## Rear Suspension

### Shock Mounting&Camber link



Ride height collar is lowered 6.75mm

Wheelbase  
 Long  
 Medium  
 Short

Camber -1°  
Normal

Aluminum(Opt)  
# Washers      mm

## Rear Shocks



## Front Tires&Wheels

Front Tires AKA Handle bar super soft

Inserts AKA molded      Wheels AKA

## Rear Tires&Wheels

Rear Tires AKA Handlebars super soft

Inserts AKA molded      Wheels JC

## Batteries

Servo savox 1268

Esc Dualsky 550mj

Batteries turnigy 5800

## Motor

Motor tekin redline gen2 7.5t

Pinion/Spur 22/80

## Other

Wing JC

Wing Angle  4°  10°

## Comments

Notes     

Ive ran this set up on an outdoor medium traction clay track as well and it seems very stable, and dialed. I will be running this setup on a permanent basis, and mainly change tires to adjust for the track.