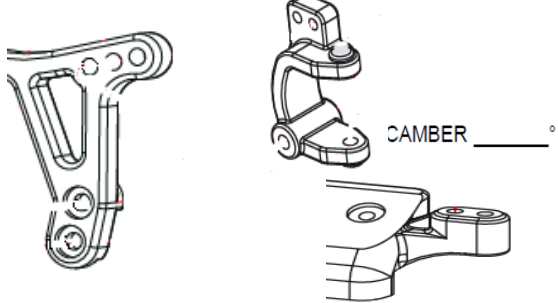
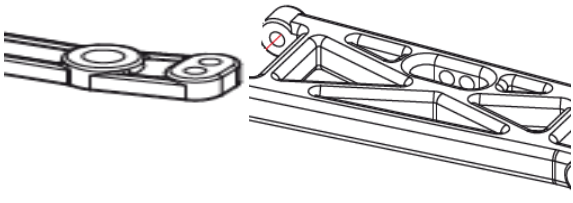
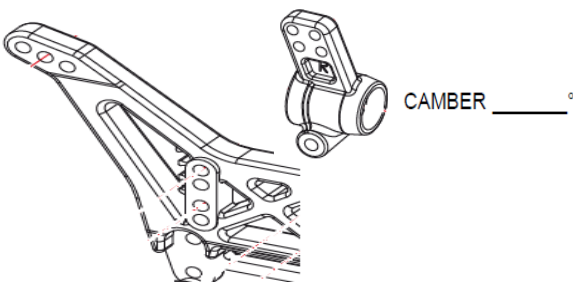
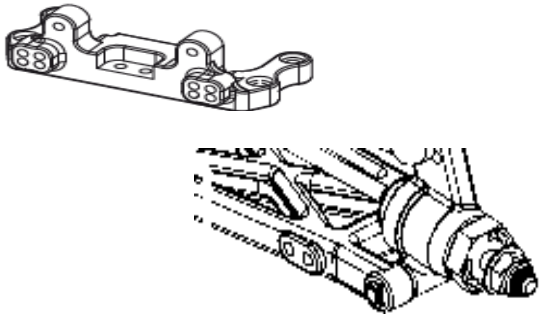




Driver _____
 Track / City _____
 Event _____ Date _____

FRONT SHOCK MOUNTING & CAMBER LINK

 CAMBER _____ °
 RIDE HEIGHT _____
 TOE-IN (+) / OUT (-) _____ °

FRONT SHOCKS OIL _____ wt
 SPRING (color) _____ PISTON # _____
 SHAFT unobtainium STD # LIMITERS _____
FRONT TIRES & WHEELS
 FRONT TIRES _____
 INSERTS _____ WHEELS _____
 TRACTION COMPOUND _____

REAR SHOCK MOUNTING & CAMBER LINK

 CAMBER _____ °
 RIDE HEIGHT _____

REAR SHOCKS OIL _____ wt
 SPRING (color) _____ PISTON # _____
 SHAFT unobtainium STD # LIMITERS _____
REAR TIRES & WHEELS
 REAR TIRES _____
 INSERTS _____ WHEELS _____

RADIO/BATTERIES	MOTOR	OTHER
RADIO _____ SERVO _____	MOTOR & WIND _____	BODY _____
ESC _____	BRUSHES _____	WING _____
DRAG BRAKE _____ INIT BRAKE _____	SPRING _____	WING ANGLE <input type="checkbox"/> 0° <input type="checkbox"/> 3° <input type="checkbox"/> 6°
BATTERY PLACEMENT <input type="checkbox"/> front <input type="checkbox"/> rear	PINION / SPUR _____ / _____	CHASSIS _____
BATTERIES _____		

CONDITIONS	COMMENTS
<input type="checkbox"/> smooth <input type="checkbox"/> sandy <input type="checkbox"/> bumpy <input type="checkbox"/> soft dirt <input type="checkbox"/> low traction <input type="checkbox"/> grass <input type="checkbox"/> med traction <input type="checkbox"/> blue groove <input type="checkbox"/> high traction <input type="checkbox"/> clay <input type="checkbox"/> wet <input type="checkbox"/> dusty <input type="checkbox"/> dry <input type="checkbox"/> other	NOTES _____ _____ _____ _____