

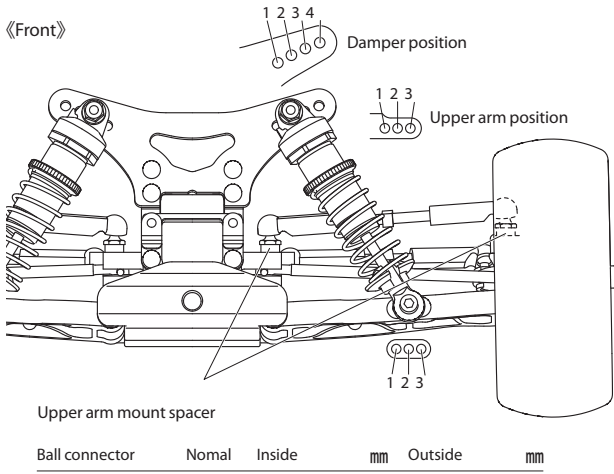


SETTING SHEET
Ver 1.00

Date _____

Driver _____

Track _____ Track condition _____



Ground clearance mm

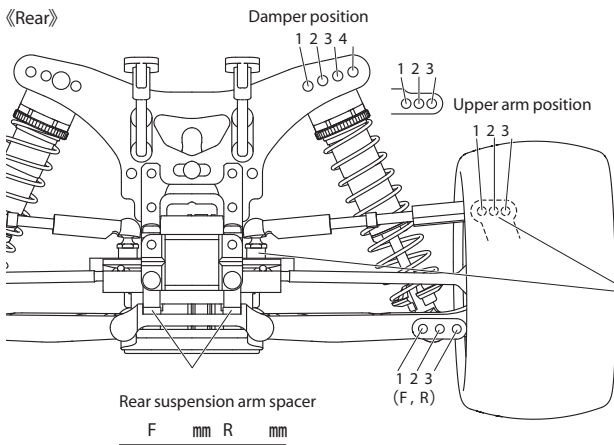
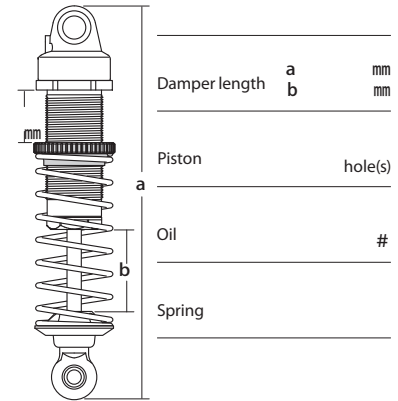
Camber angle °

Toe angle °

Front drive Diff
One-way

Pulley T

Stabilizer



Ground clearance mm

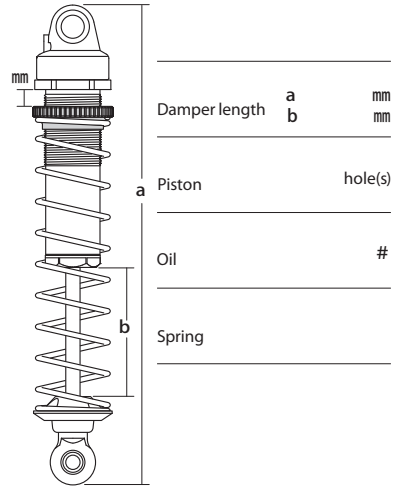
Camber angle °

Stabilizer

Upper arm mount spacer

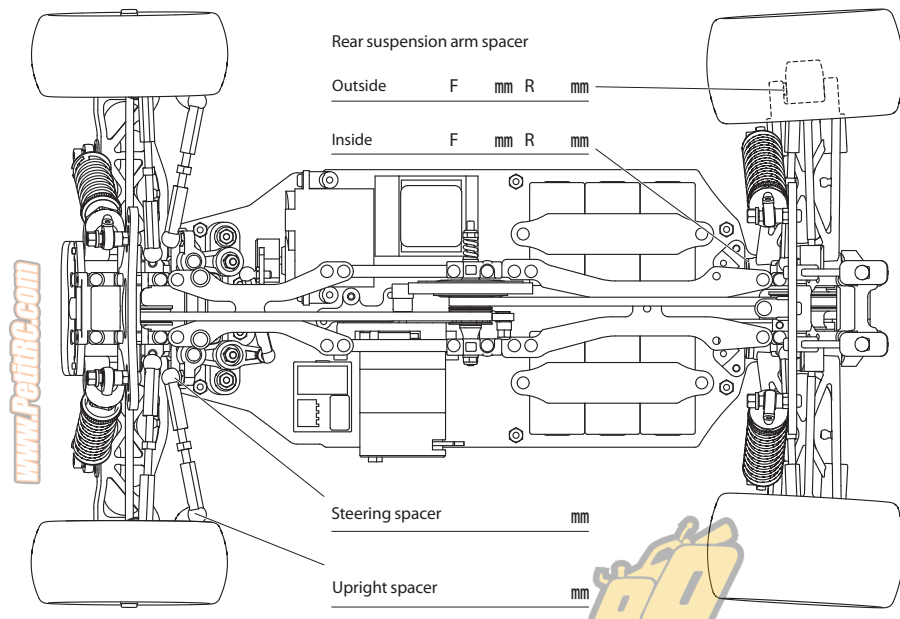
Ball connector Nomal

Inside mm Outside mm



«Front Tire» Type Compound Tire insert Wheel Air holes

«Rear Tire» Type Compound Tire insert Wheel Air holes



Motor

Spur gear T Pinion gear T

Slipper clutch

Center one-way

Battery

Body

Wing

Wing-Lip

Comments