

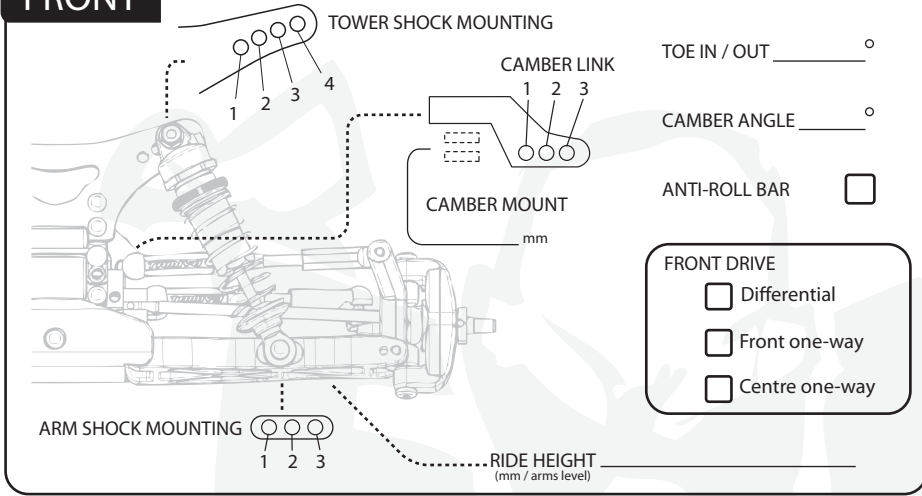


www.oople.com

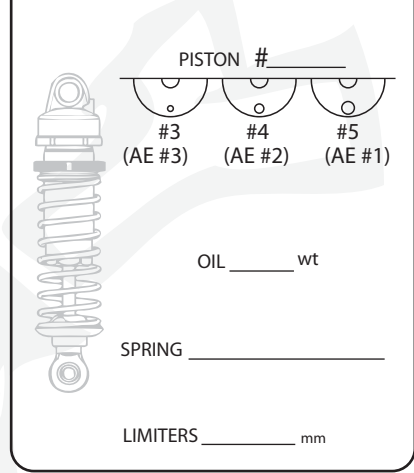
セッティングシート  
SETTING SHEET

DRIVER \_\_\_\_\_  
 DATE \_\_\_\_\_ TRACK \_\_\_\_\_  
 EVENT \_\_\_\_\_

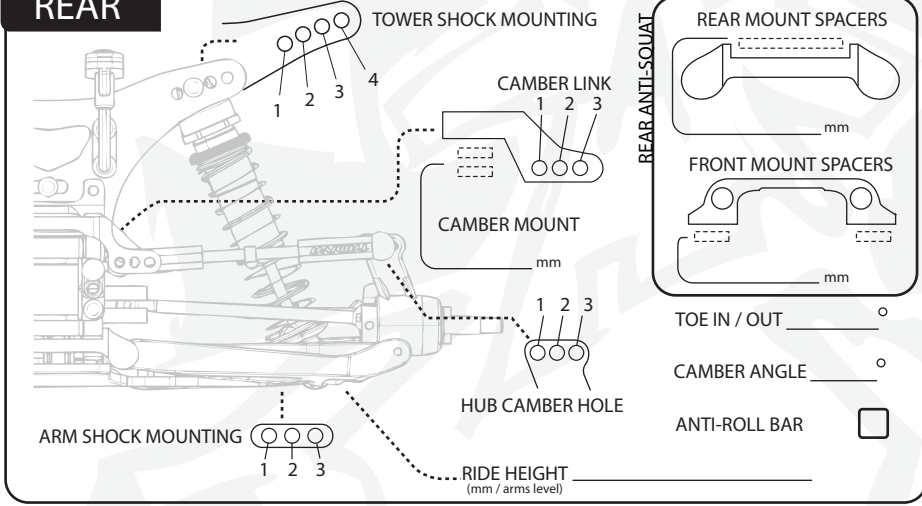
**FRONT**



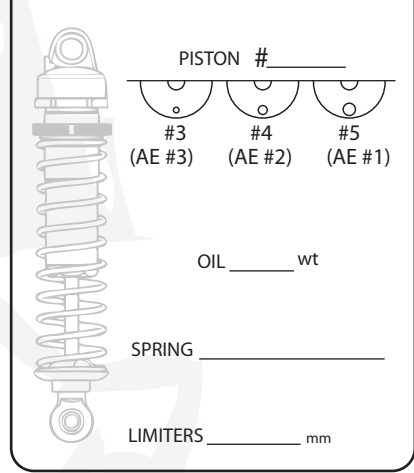
**SHOCKS**



**REAR**

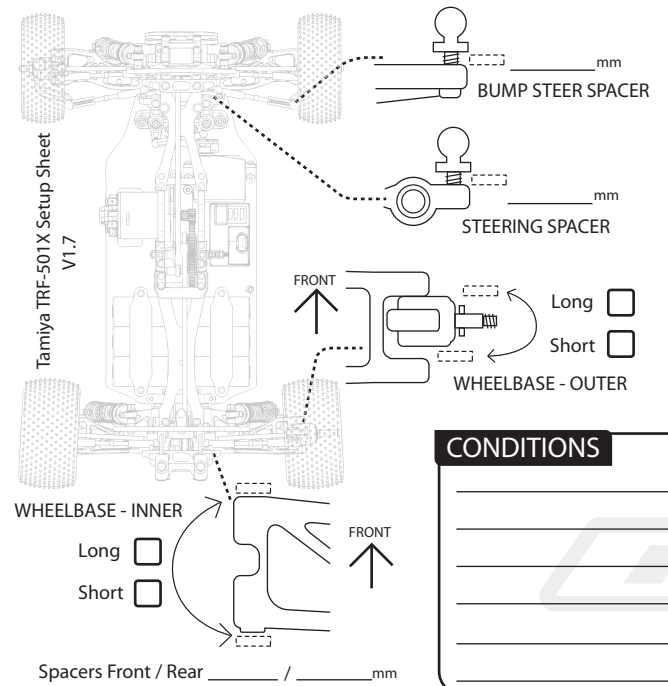


**SHOCKS**



FRONT WHEELS  
 TYRES \_\_\_\_\_ INSERTS \_\_\_\_\_ WHEELS \_\_\_\_\_ HOLES \_\_\_\_\_ mm

REAR WHEELS  
 TYRES \_\_\_\_\_ INSERTS \_\_\_\_\_ WHEELS \_\_\_\_\_ HOLES \_\_\_\_\_ mm



**ELECTRICS**

SERVO \_\_\_\_\_ ESC \_\_\_\_\_  
 BATTERIES \_\_\_\_\_ RECEIVER \_\_\_\_\_

**MOTOR**

MOTOR & WIND \_\_\_\_\_  
 BRUSHES \_\_\_\_\_ SPRING \_\_\_\_\_  
 PINION / SPUR \_\_\_\_\_ T / \_\_\_\_\_ T

**OTHER**

BODY \_\_\_\_\_ WING ANGLE SHIM  
 WING \_\_\_\_\_ FRONT

**CONDITIONS**

\_\_\_\_\_  SMOOTH  SANDY  
 \_\_\_\_\_  BUMPY  SOFT DIRT  
 \_\_\_\_\_  LOW TRACTION  GRASS  
 \_\_\_\_\_  MED TRACTION  BLUE GROOVE  
 \_\_\_\_\_  HIGH TRACTION  CLAY  
 \_\_\_\_\_  WET  DUSTY  
 \_\_\_\_\_  DRY  OTHER

