

# DB01 CHASSIS

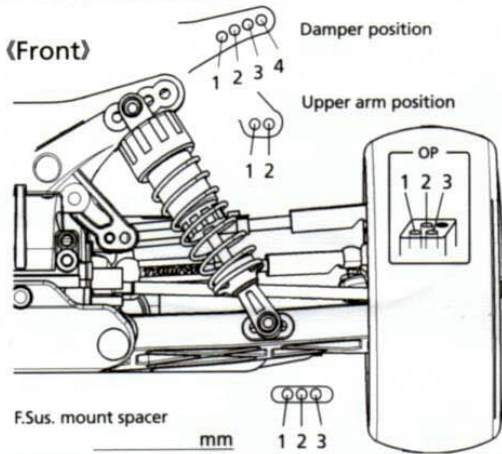
## SETTING SHEET Ver.1.00

Date \_\_\_\_\_

Driver \_\_\_\_\_

Track

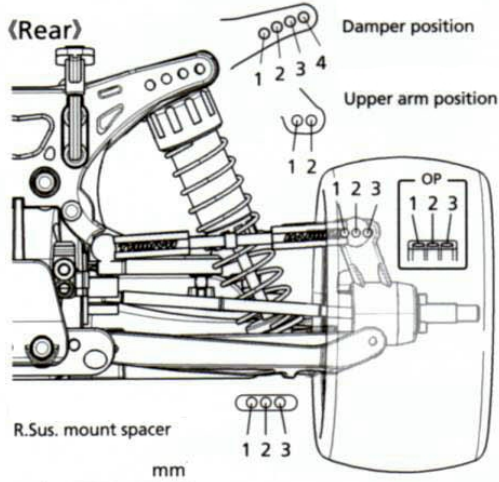
Track condition



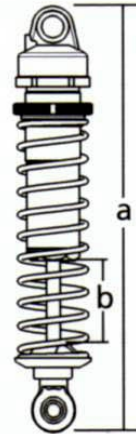
Ground clearance \_\_\_\_\_ mm  
 Camber angle \_\_\_\_\_ °  
 Toe angle \_\_\_\_\_ °  
 Front drive \_\_\_\_\_ Diff. One-way  
 Front pulley \_\_\_\_\_ T  
 Stbilizer \_\_\_\_\_  
 Caster block \_\_\_\_\_ Normal OP  
 Caster block spacer \_\_\_\_\_ mm



Damper \_\_\_\_\_ C.V.A. OP  
 Damper length a \_\_\_\_\_ mm  
 b \_\_\_\_\_ mm  
 Piston \_\_\_\_\_  
 Oil \_\_\_\_\_ #  
 Spring \_\_\_\_\_  
 Note \_\_\_\_\_



Ground clearance \_\_\_\_\_ mm  
 Camber angle \_\_\_\_\_ °  
 Toe angle \_\_\_\_\_ °  
 Stbilizer \_\_\_\_\_  
 Rear uprights \_\_\_\_\_ Normal OP  
 Rear uprights spacer \_\_\_\_\_ mm



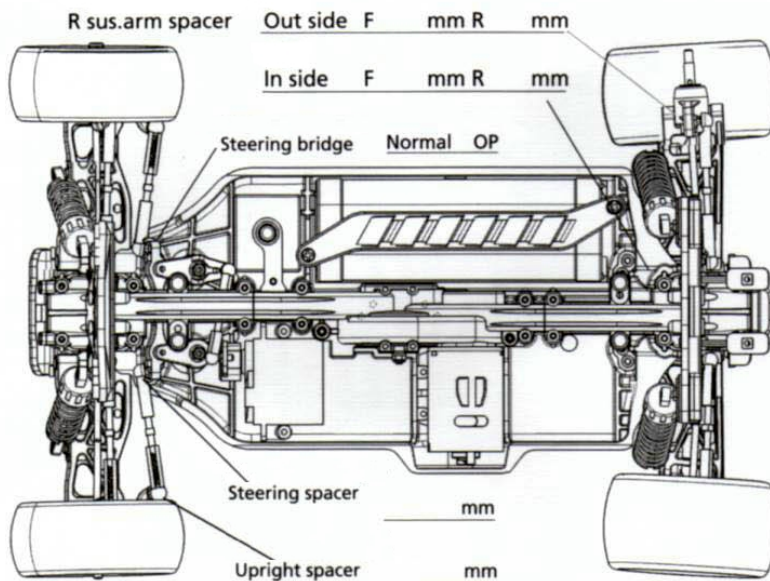
Damper \_\_\_\_\_ C.V.A. OP  
 Damper length a \_\_\_\_\_ mm  
 b \_\_\_\_\_ mm  
 Piston \_\_\_\_\_  
 Oil \_\_\_\_\_ #  
 Spring \_\_\_\_\_  
 Note \_\_\_\_\_

**(Front Tires)**

Type	Compound	Inserts	Wheels	Air holes

**(Rear Tires)**

Type	Compound	Inserts	Wheels	Air holes



Motor \_\_\_\_\_  
 Spur gear \_\_\_\_\_ Pinion gear \_\_\_\_\_  
 T \_\_\_\_\_ T \_\_\_\_\_  
 Battery \_\_\_\_\_  
 Body \_\_\_\_\_  
 Wing \_\_\_\_\_  
 Wing-Rip \_\_\_\_\_  
 Sus. arms \_\_\_\_\_ Normal Hard

Comments