



# S14-3

1/10 Off Road Racing Electric Buggy  
**SETUP SHEET**

Name: \_\_\_\_\_ Date: \_\_\_\_\_

City/Track: \_\_\_\_\_

Event: \_\_\_\_\_

**Conditions:**  Indoor  Outdoor  Dry  Wet  Blue Groove  Hard Packed  
**Composition:**  Astroturf  Clay  Carpet  Dirt  Grass  Other: \_\_\_\_\_  
**Size:**  Open  Mixed  Tight **Traction:**  High  Medium  Low **Surface:**  Smooth  Medium  Bumpy

### Differential

Front: \_\_\_\_\_ Center: \_\_\_\_\_ Rear: \_\_\_\_\_

### Tire & Inserts

Front \_\_\_\_\_ Rear \_\_\_\_\_

Tire: \_\_\_\_\_

Insert: \_\_\_\_\_

Notes: \_\_\_\_\_

### Electronics

Motor: \_\_\_\_\_ Spur/Pinion: \_\_\_\_\_

Battery: \_\_\_\_\_

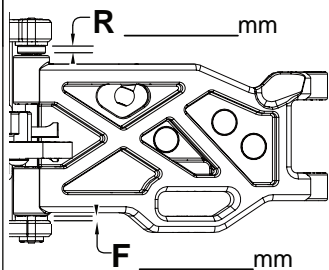
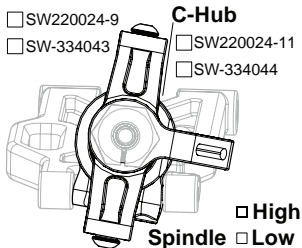
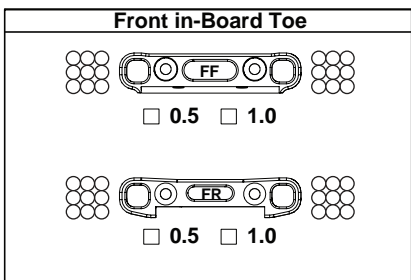
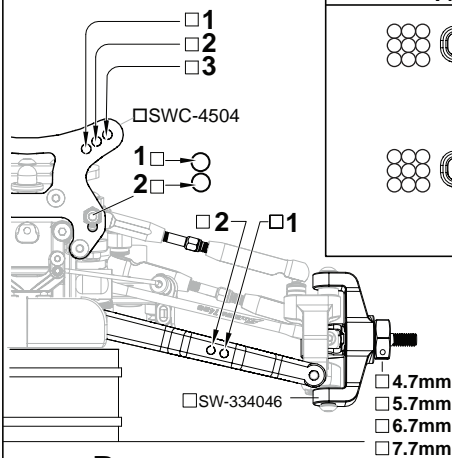
Battery Position: \_\_\_\_\_

ESC: \_\_\_\_\_

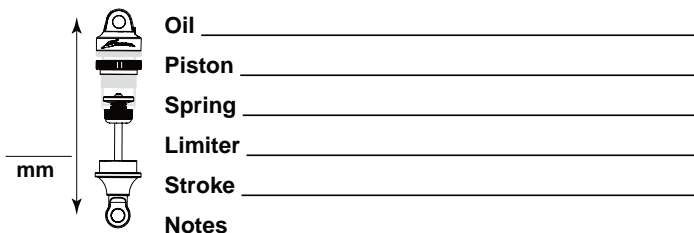
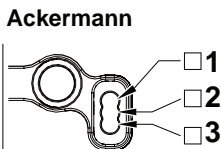
ESC settings: \_\_\_\_\_

Servo: \_\_\_\_\_ Receiver: \_\_\_\_\_

### Front Suspension



**Front lower arm**  
 SW-220022R  
 SW-220022HR



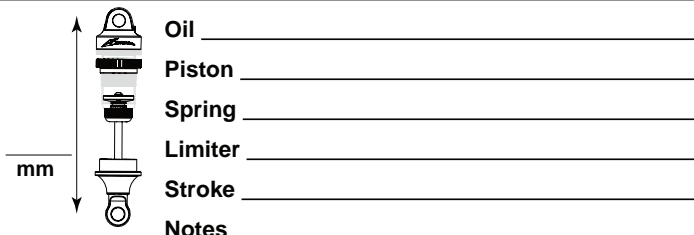
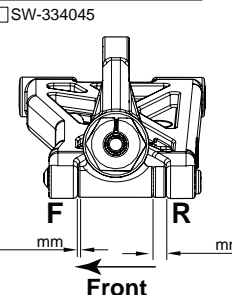
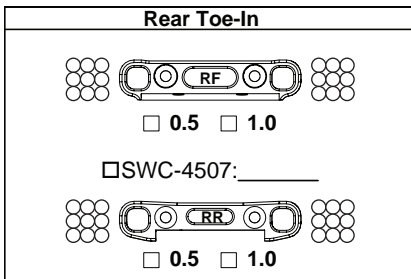
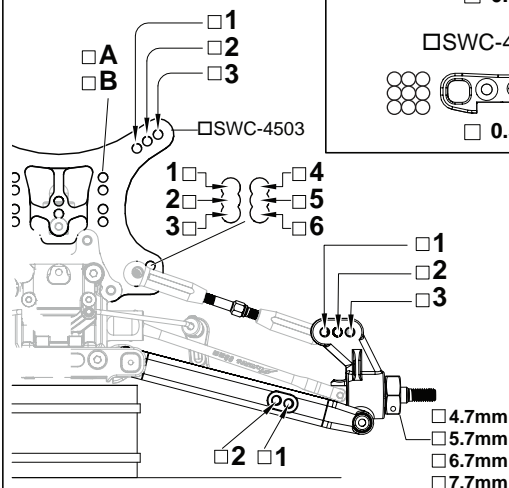
Track Width \_\_\_\_\_  
 Caster \_\_\_\_\_  
 Camber \_\_\_\_\_  
 Toe \_\_\_\_\_  
 Rebound Stop \_\_\_\_\_  
 Ride Height \_\_\_\_\_  
 Sway Bar \_\_\_\_\_

Comments \_\_\_\_\_

Body \_\_\_\_\_ Wing \_\_\_\_\_

### Rear Suspension

**Rear lower arm**  
 SW-220022R  
 SW-220022HR



Track Width \_\_\_\_\_  
 Camber \_\_\_\_\_  
 Rebound Stop \_\_\_\_\_  
 Ride Height \_\_\_\_\_  
 Sway Bar \_\_\_\_\_

Comments \_\_\_\_\_

### Options

Arn0 - PetitRC.com

SW-220020H  SW-344008  
 SW-220021H Front  SW-220021H Rear  
 SW3340497  SW-220020-3H

### Comments

\_\_\_\_\_