



S14-3

1/10 Off Road Racing Electric Buggy
SETUP SHEET

Name: _____ Date: _____

City/Track: _____

Event: _____

Conditions: Indoor Outdoor Dry Wet Blue Groove Hard Packed

Composition: Astroturf Clay Carpet Dirt Grass Other: _____

Size: Open Medium Tight Traction: High Medium Low Surface: Smooth Medium Bumpy

Diff. Oil

Front: _____ Center: _____ Rear: _____

Tire & Inserts

Front

Rear

Tire: _____

Insert: _____

Notes: _____

Electronics

Motor: _____ Spur/Pinion: _____

Battery: _____

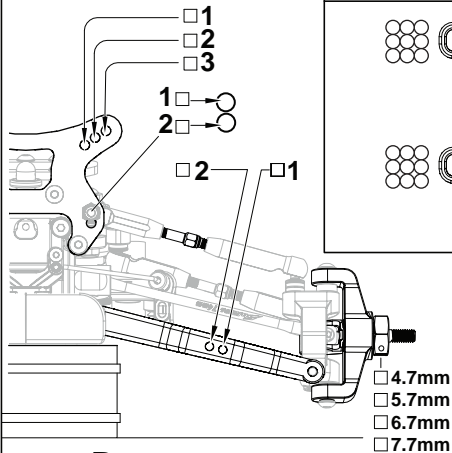
Battery Position: _____

ESC: _____

ESC settings: _____

Servo: _____ Receiver: _____

Front Suspension



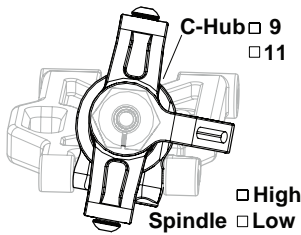
Front in-Board Toe



0.5 1.0

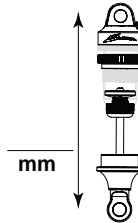
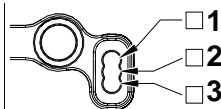


0.5 1.0



Front lower arm
 Pro-composite Hard
 Standard

Ackermann



Oil _____

Piston _____

Spring _____

Limiter _____

Stroke _____

Track Width _____

Caster _____

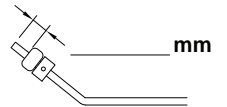
Camber _____

Toe _____

Rebound Stop _____

Ride Height _____

Sway Bar _____

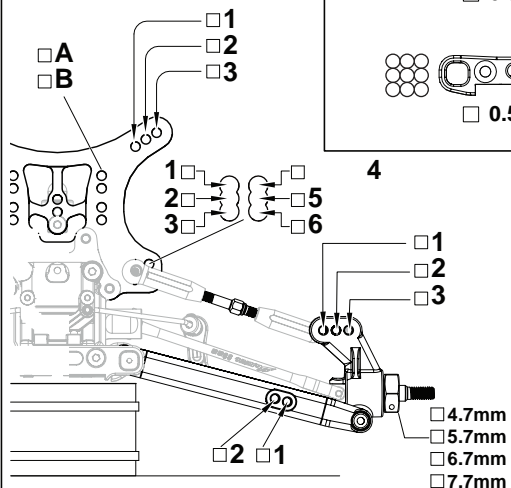


Comments

Body _____ Wing _____

Rear Suspension

Rear lower arm
 Pro-composite Hard
 Standard



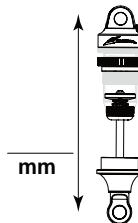
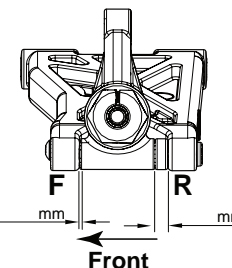
Rear Toe-In



0.5 1.0



0.5 1.0



Oil _____

Piston _____

Spring _____

Limiter _____

Stroke _____

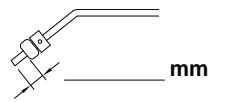
Track Width _____

Camber _____

Rebound Stop _____

Ride Height _____

Sway Bar _____



Comments

Others

Arn0 - PetitRC.com

Side guard Pro-Composite Hard Standard

Front T-bar Pro-Composite Hard Standard

Rear T-bar Pro-Composite Hard Standard

Comments