

Conditions: Indoor Outdoor Dry Wet Blue Groove Hard Packed
Composition: AstroTurf Clay Carpet Dirt Grass Other: _____
Size: Open Medium Tight **Traction:** High Medium Low **Surface:** Smooth Medium Bumpy

Diff. Oil
 Front: 20K Center: 50K Rear: 7K

Electronics
 Motor: Hobbystar 6.5t Spur/Pinion: 86/22
 Battery: Team Scream 4600 100c
 Battery Position: shorty
 ESC: Hobbystar 120A Pro
 ESC settings: stock, no limit set
 Servo: Protek 160ss Receiver: Sanwa RX 471

Tire & Inserts
 Front Rear
 Tire: HOLESHOT/BLOCKADE M4 holeshot/blockade M4
 Insert: molded Proline open cell Proline
 Notes: front and rear tires vented

Front Suspension

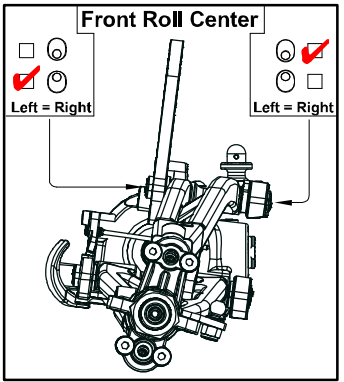
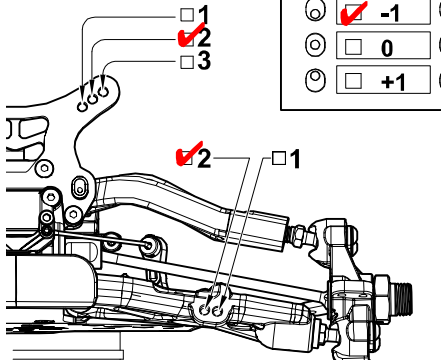
Front in-Board Toe

<input checked="" type="checkbox"/> -1	<input checked="" type="checkbox"/> -1
<input type="checkbox"/> 0	<input type="checkbox"/> 0
<input type="checkbox"/> +1	<input type="checkbox"/> +1

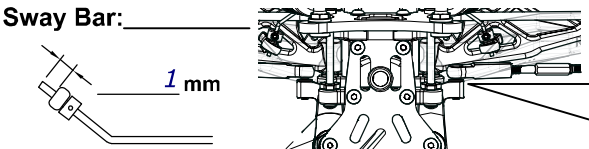
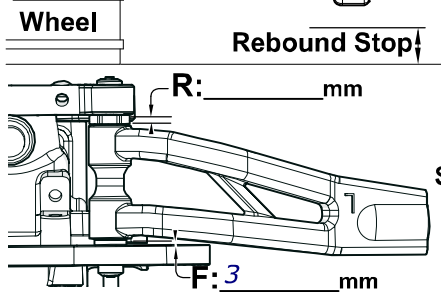
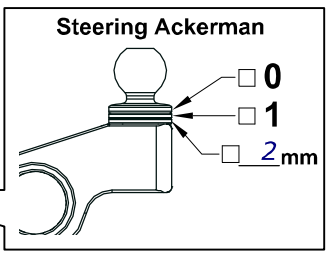
Front Shocks
 Oil: 42.5 AE
 Piston: Stock CNC
 Spring: Kyosho Red
 Limiter: 0

Body: Stock
 Wing: Proline Trifecta

Notes:
+2mm hex



Track Width: 1mm washer behind pivot ball upper,
 Caster: full rear
 Camber: -2*
 Toe: 0*
 Rebound Stop: 2mm
 Ride Height: arms level
 Sway Bar: 3 mark



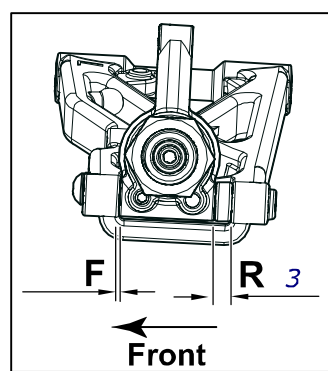
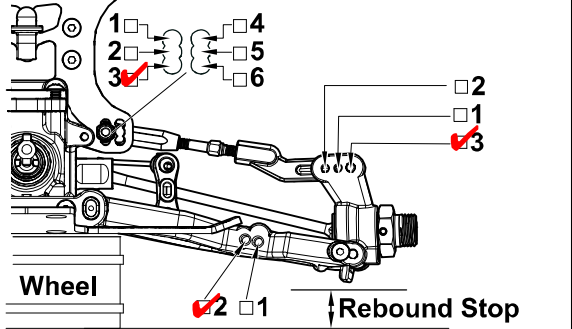
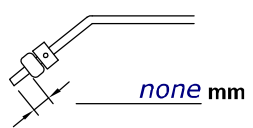
Rear Suspension

Rear Toe-In

<input type="checkbox"/> -1	<input type="checkbox"/> -1
<input type="checkbox"/> 0	<input type="checkbox"/> 0
<input type="checkbox"/> +1	<input type="checkbox"/> +1

Rear Shocks
 Oil: 35 AE
 Piston: Stock CNC
 Spring: AE White
 Limiter: 0

Sway Bar: none



Track Width: +2 hex
 Camber: -2
 Rebound Stop: 2mm
 Ride Height: arms level
 Notes: