



Conditions: Indoor Outdoor Dry Wet Blue Groove Hard Packed

Performance Conversion Kit

Composition: AstroTurf Clay Carpet Dirt Grass Other: _____

Size: Open Medium Tight

Traction: High Medium Low

Surface: Smooth Medium Bumpy

Diff. Oil
Front: 10k Rear: 10k

Electronics

Motor: Reds VX 6.5 Spur/Pinion: 87/21

Battery: Gens-Ace 4200 Shorty

Battery Position: Shorty

ESC: Hobbywing 3.1

ESC settings: _____

Servo: Highest DLP700 Receiver: 614F

Tire & Inserts

Front	Rear
Tire: <u>AKA Impact Soft</u>	<u>AKA Impact Soft</u>
Insert: <u>JC Firm</u>	<u>JC Firm</u>
Notes: _____	

Front Suspension

Front in-Board Toe

<input type="checkbox"/> -1	<input type="checkbox"/> -1
<input checked="" type="checkbox"/> 0	<input checked="" type="checkbox"/> 0
<input type="checkbox"/> +1	<input type="checkbox"/> +1

Front Shocks

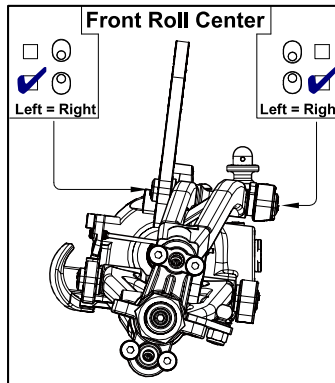
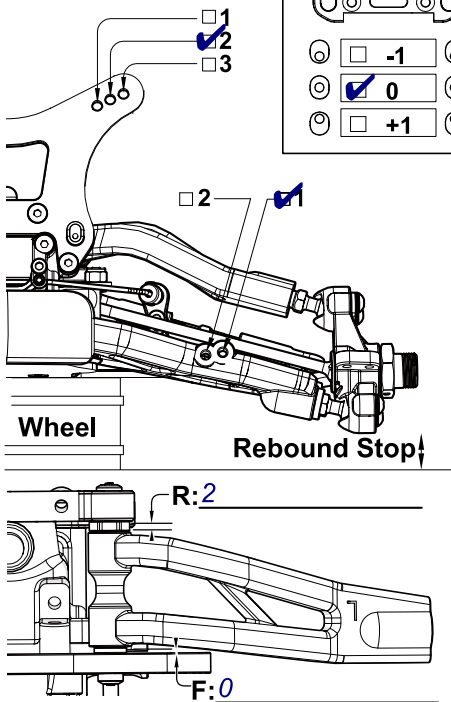
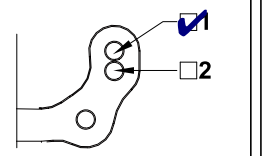
Oil: 450cst

Piston: 3 x 1.4mm

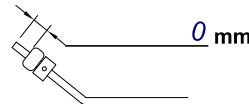
Spring: Sworz Blue

Limiters: none

Ackermann



Sway Bar: 1.8mm



Track Width: +2mm

Caster: _____

Camber: 2deg

Upper: _____

Lower: _____

Toe: 1deg out

Rebound Stop: _____

Ride Height: 15mm

Notes:
Shock compensator fitted.
2 orings fitted on shock shaft.

Alterations by Am0

Rear Suspension

Rear Toe-In

<input type="checkbox"/> -1	<input type="checkbox"/> 2
<input checked="" type="checkbox"/> 0	<input type="checkbox"/> 2.5
<input type="checkbox"/> +1	<input checked="" type="checkbox"/> 3

Rear Shocks

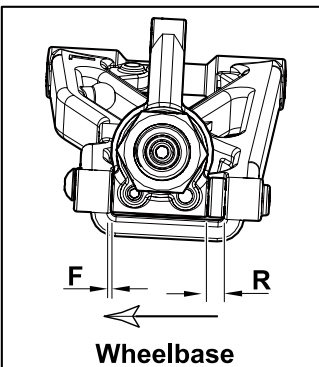
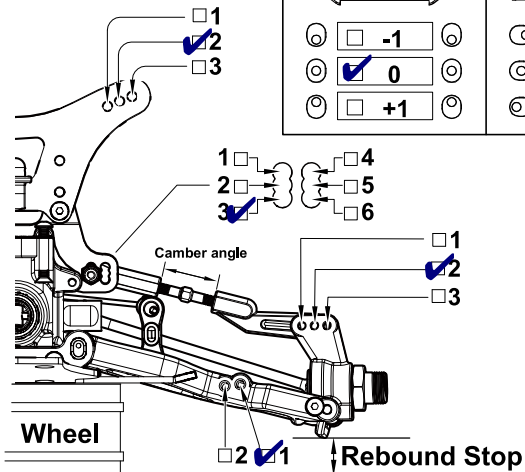
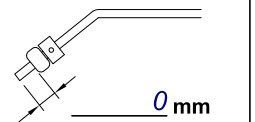
Oil: 400cst

Piston: 3 x 1.4mm

Spring: Sworz Blue

Limiters: none

Sway Bar: 1.8mm



Track Width: +2mm

Camber: 2 deg

Rebound Stop: _____

Ride Height: 15mm

Notes:
Shock compensator fitted.
2 orings fitted on shock shaft.
Ball connector on bottom of shock shaft cut 2mm to lower car.
Long Wheelbase

Comments:
60% EPA on used tyres, 65% EPA on new tyres.