



Conditions:  Indoor  Outdoor  Dry  Wet  Blue Groove  Hard Packed

**Performance Conversion Kit**

Composition:  AstroTurf  Clay  Carpet  Dirt  Grass  Other: \_\_\_\_\_

Size:  Open  Medium  Tight

Traction:  High  Medium  Low

Surface:  Smooth  Medium  Bumpy

**Diff. Oil**

Front: n/a Rear: 5k

**Tire & Inserts**

Front

Rear

Tire: SCH Yellow LP Stagger SCH Mini Pin Yellow

Insert: n/a SCH Medium Foam

Notes: \_\_\_\_\_

**Electronics**

Motor: Reds VX 8.5 Spur/Pinion: 87/21

Battery: Gens-Ace 4200 Shorty

Battery Position: Shorty

ESC: Hobbywing 3.1

ESC settings: \_\_\_\_\_

Servo: Highest DLP700 Receiver: 614F

**Front Suspension**

**Front in-Board Toe**

<input type="checkbox"/> -1	<input checked="" type="checkbox"/> -1
<input type="checkbox"/> 0	<input type="checkbox"/> 0
<input checked="" type="checkbox"/> +1	<input type="checkbox"/> +1

**Front Shocks**

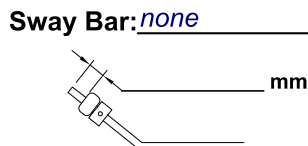
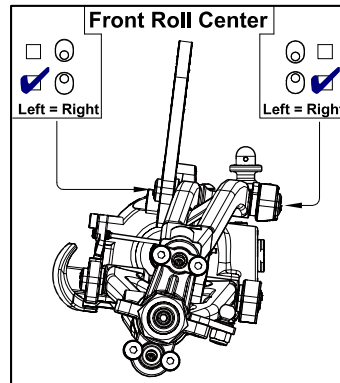
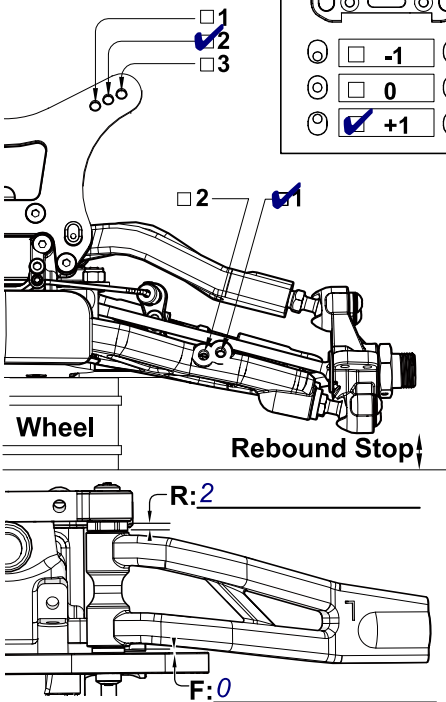
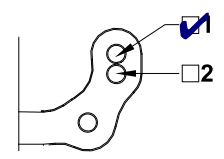
Oil: 425cst

Piston: 3 x 1.4mm

Spring: Sworz Pink

Limiter: none

**Ackermann**



Track Width: 0mm

Caster: \_\_\_\_\_

Camber: 2deg

Upper: \_\_\_\_\_

Lower: \_\_\_\_\_

Toe: 1deg out

Rebound Stop: \_\_\_\_\_

Ride Height: 15mm

Notes:

*Shock compensator fitted.  
2 orings fitted on shock shaft.  
Front diff fitted for ballast.*

Alterations by Am0

**Rear Suspension**

**Rear Toe-In**

<input type="checkbox"/> -1	<input type="checkbox"/> 2
<input checked="" type="checkbox"/> 0	<input type="checkbox"/> 2.5
<input type="checkbox"/> +1	<input checked="" type="checkbox"/> 3

**Rear Shocks**

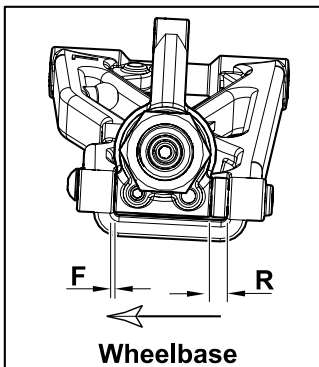
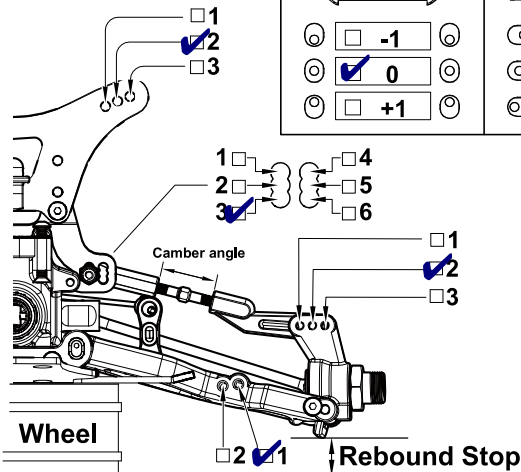
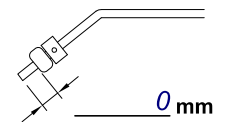
Oil: 375cst

Piston: 3 x 1.4mm

Spring: Sworz Pink

Limiter: none

Sway Bar: 1.8mm



Track Width: 0

Camber: 2 deg

Rebound Stop: \_\_\_\_\_

Ride Height: 15mm

Notes:

*Shock compensator fitted.  
2 orings fitted on shock shaft.  
Ball connector on bottom of shock shaft cut  
2mm to lower car.  
Long Wheelbase*

**Comments:**

S104 converted to 2WD.