

Name: _____ Date: _____

City/Track: _____

Event: _____

Conditions: Indoor Outdoor Dry Wet Blue Groove Hard Packed

Composition: AstroTurf Clay Carpet Dirt Grass Other: _____

Size: Open Medium Tight **Traction:** High Medium Low **Surface:** Smooth Medium Bumpy

Differential

Ball: _____ Gear - Oil: _____

Tire & Inserts

Front _____ Rear _____

Tire: _____

Insert: _____

Notes: _____

Electronics

Motor: _____ Spur/Pinion: _____

Battery: _____

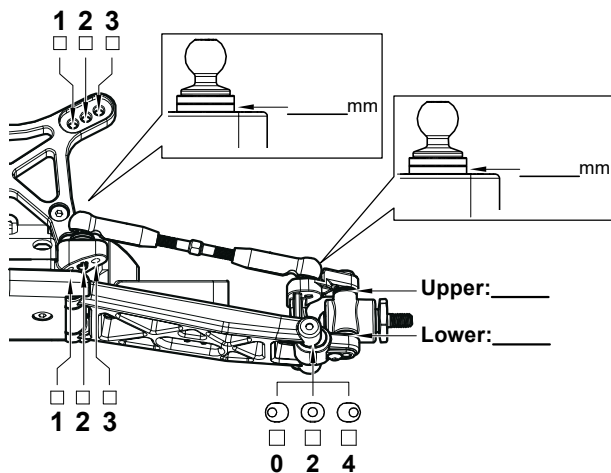
Battery Position: _____

ESC: _____

ESC settings: _____

Servo: _____ Receiver: _____

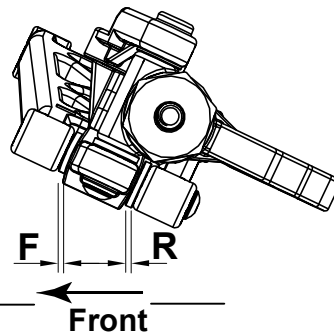
Front Suspension



Camber: _____

Toe: _____

Ride Height: _____



Front Shocks

Oil: _____

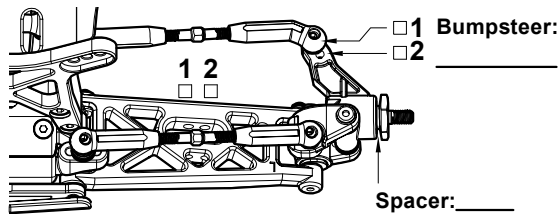
Piston: _____

Spring: _____

Preload: _____

Limiters - In: _____ Out: _____

Notes: _____

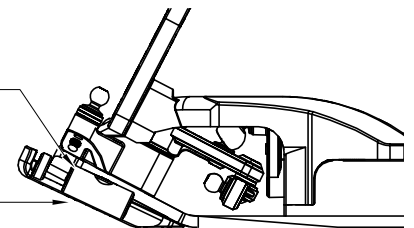


Arm Holder Spacer

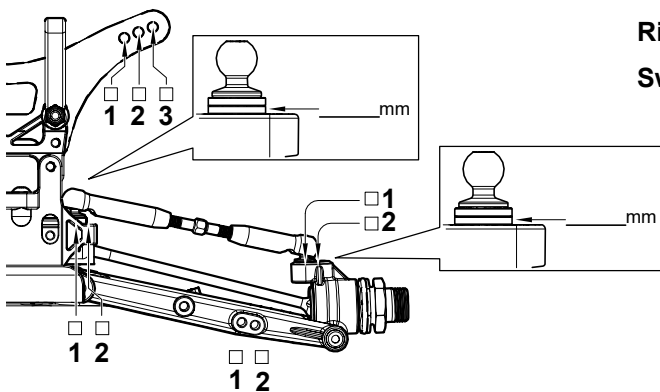
0.5mm 1mm

Caster

25° 30°



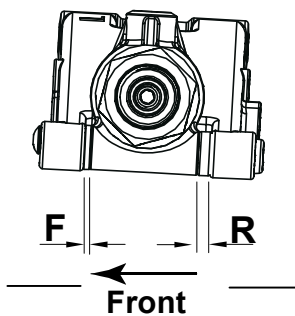
Rear Suspension



Camber: _____

Ride Height: _____

Swaybar: _____



Rear Shocks

Oil: _____

Piston: _____

Spring: _____

Preload: _____

Limiters - In: _____ Out: _____

Body: _____

Wing: _____

Notes: _____

Wing spacer _____ mm



Rear Toe-in

F	R
<input type="checkbox"/> -1	<input type="checkbox"/> -1
<input type="checkbox"/> 0	<input type="checkbox"/> 0
<input type="checkbox"/> +1	<input type="checkbox"/> +1

Notes: _____