

## DRIVER, TRACK AND RESULTS

<b>DRIVER</b>	<b>COUNTRY</b>	<b>WEATHER</b>	<b>AIR TEMP</b>	<b>TRACK TEMP</b>	<input type="checkbox"/> DRY	<input type="checkbox"/> INTERMEDIATE	<input type="checkbox"/> WET
<b>RACE</b>	<b>DATE</b>	<b>QUALY POS.</b>	<b>STARTING POS.</b>	<b>FINAL POS.</b>	<b>FASTEST LAP</b>		
<b>TRACK</b>	<b>TYPE</b> <input type="checkbox"/> TIGHT <input type="checkbox"/> MEDIUM <input type="checkbox"/> OPEN <input type="checkbox"/>		<b>GRIP</b> <input type="checkbox"/> LOW <input type="checkbox"/> MEDIUM <input type="checkbox"/> HIGH <input type="checkbox"/>				
<b>SURFACE CONDITION</b> <input type="checkbox"/> SMOOTH <input type="checkbox"/> ROUGH <input type="checkbox"/>							
<b>TYPE</b> <input type="checkbox"/> HARD PACKED <input type="checkbox"/> CLAY <input type="checkbox"/> MULTI/SURFACE <input type="checkbox"/> GRASS <input type="checkbox"/> BLUE GROOVE <input type="checkbox"/> DIRT <input type="checkbox"/> ASTRO-TURF <input type="checkbox"/>							

FRONT	SHOCK ABSORBERS		REAR
	cst	OIL	cst
SPRINGS			
	mm	REBOUND	mm
N° HOLES	∅	mm	PISTONS N° HOLES
<input type="checkbox"/> BLADDER	SEAL	<input type="checkbox"/> BLADDER	
<input type="checkbox"/> EMULSION	TYPE	<input type="checkbox"/> EMULSION	

FRONT	ANTI-ROLL BARS		REAR
<input type="checkbox"/>	<input type="checkbox"/>	<input type="checkbox"/>	<input type="checkbox"/>
1.8	2.0	2.3	2.5
2.7	3.0	1.8	2.0
2.3	2.5	2.7	3.0

DIFFERENTIAL OIL		
FRONT DIFF	CENTER DIFF	REAR DIFF
cst	cst	cst

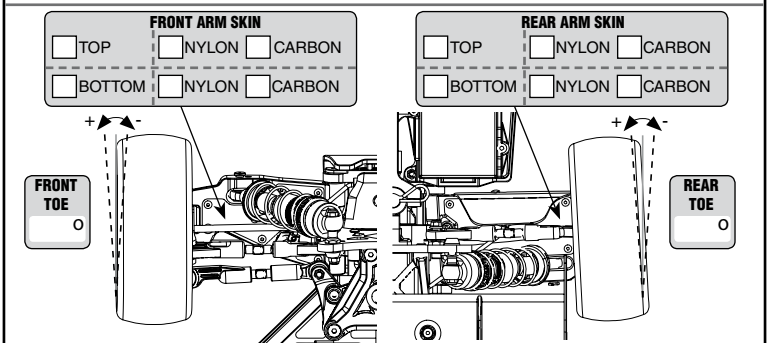
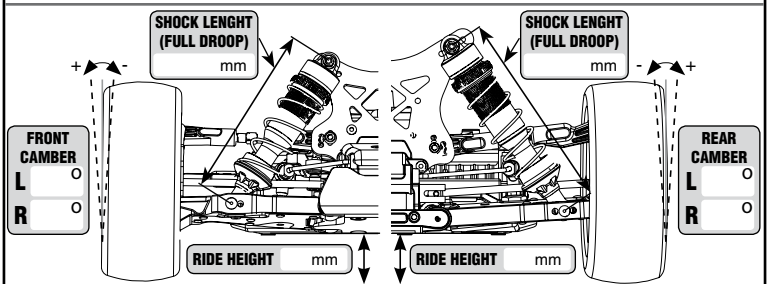
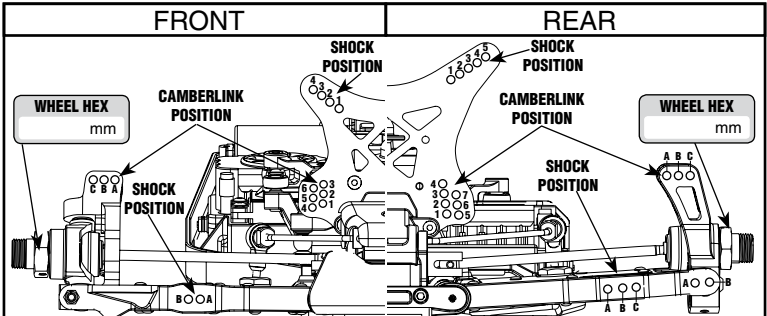
GEARING	
PINION	Teeth
SPUR GEAR	Teeth

ELECTRONICS	
<b>BATTERY</b>	
BRAND	CAPACITY mAh
<b>MOTOR</b>	
BRAND	TYPE
	TIMING
<b>ESC</b>	
BRAND	TYPE

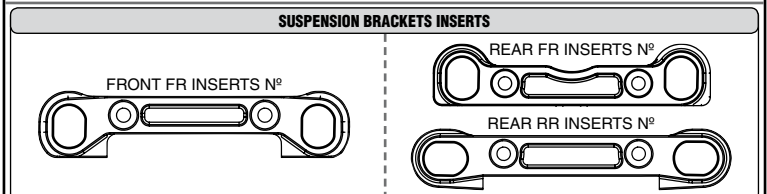
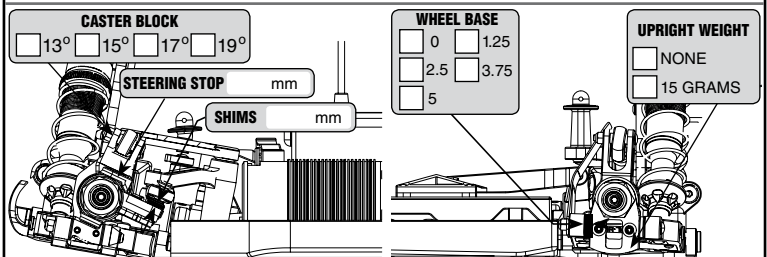
ELECTRONICS LAYOUTS	
<input type="checkbox"/> LAYOUT 1	<input type="checkbox"/> LAYOUT 2
<input type="checkbox"/> 2S STICK BATTERIES	<input type="checkbox"/> 4S BRICK BATTERY
<input type="checkbox"/> 2S SHORTY REARWARD BATTERIES	<input type="checkbox"/> 2S STICK BATTERIES
<input type="checkbox"/> 2S SHORTY FORWARD BATTERIES	<input type="checkbox"/> 2S SHORTY REARWARD BATTERIES
	<input type="checkbox"/> 2S SHORTY FORWARD BATTERIES

AERODYNAMIC CONFIGURATION	
<b>BODY</b>	<input type="checkbox"/> STANDARD <input type="checkbox"/> HIGH DOWNFORCE <input type="checkbox"/> OTHER
<b>WING</b>	
TYPE	WING PLATES <input type="checkbox"/> 2° <input type="checkbox"/> 4° <input type="checkbox"/> 6°
GURNEY STRIP	<input type="checkbox"/> YES <input type="checkbox"/> NO
CENTER FOIL	<input type="checkbox"/> YES <input type="checkbox"/> NO

FRONT TIRES	Controlled Tire	REAR
MAKE	<input type="checkbox"/>	
TYPE		
INSERTS		
WHEELS		



<b>STEERING BLOCK ACKERMAN PLATE</b>	<b>REAR HUB ROLL CENTER INSERT</b>
OPTION TYPE	LOW <input type="checkbox"/> L-H <input type="checkbox"/> MED <input type="checkbox"/> M-M <input type="checkbox"/> LOW <input type="checkbox"/> M-L <input type="checkbox"/> HIGH <input type="checkbox"/> H-H <input type="checkbox"/> HIGH <input type="checkbox"/> H-L <input type="checkbox"/>



REMARKS