

## DRIVER, TRACK AND RESULTS

**DRIVER** Jörn Neumann **COUNTRY** Spain **WEATHER** AIR TEMP 36 TRACK TEMP  DRY  INTERMEDIATE  WET  
**RACE** EC **DATE** 4-9 July **QUALY POS.** 9 **STARTING POS.** 13 **FINAL POS.** 13 **FASTEST LAP** 52.8  
**TRACK** Redovan **TYPE**  TIGHT  MEDIUM  OPEN  **GRIP**  LOW  MEDIUM  HIGH   
**SURFACE CONDITION**  SMOOTH  ROUGH   
**TYPE**  HARD PACKED  CLAY  MULTI/SURFACE  GRASS  BLUE GROOVE  DIRT  ASTRO-TURF

FRONT SHOCK ABSORBERS		REAR
<u>650</u> cst	OIL	<u>450</u> cst
<u>white V1</u>	SPRINGS	<u>yellow V1</u>
<u>10</u> mm	REBOUND	<u>10</u> mm
N° HOLES <u>8</u> Ø <u>1.3</u> mm	PISTONS	N° HOLES <u>8</u> Ø <u>1.3</u> mm
<input checked="" type="checkbox"/> BLADDER	SEAL TYPE	<input checked="" type="checkbox"/> BLADDER
<input type="checkbox"/> EMULSION		<input type="checkbox"/> EMULSION

FRONT ANTI-ROLL BARS		REAR
<input type="checkbox"/>	<input type="checkbox"/>	<input checked="" type="checkbox"/>
<input type="checkbox"/>	<input type="checkbox"/>	<input checked="" type="checkbox"/>
<input type="checkbox"/>	<input type="checkbox"/>	<input type="checkbox"/>
<input type="checkbox"/>	<input type="checkbox"/>	<input type="checkbox"/>
<input type="checkbox"/>	<input type="checkbox"/>	<input type="checkbox"/>
<input type="checkbox"/>	<input type="checkbox"/>	<input type="checkbox"/>
<input type="checkbox"/>	<input type="checkbox"/>	<input type="checkbox"/>
<input type="checkbox"/>	<input type="checkbox"/>	<input type="checkbox"/>
1.8	2.0	2.3
2.5	2.7	1.8
2.0	2.3	2.5
2.7		2.7

**DIFFERENTIAL OIL**

FRONT DIFF	CENTER DIFF	REAR DIFF
<u>20K</u> cst	<u>30K</u> cst	<u>10K</u> cst

**GEARING**

CLUTCH BELL	<u>13</u> Teeth	SPUR GEAR	<u>46</u> Teeth
-------------	-----------------	-----------	-----------------

**CLUTCH**

<input checked="" type="checkbox"/> CLUTCH BELL STANDARD	<input type="checkbox"/> CLUTCH BELL VENTED	<input checked="" type="checkbox"/> FLYWHEEL STEEL	<input type="checkbox"/> FLYWHEEL ALU
CLUTCH SHOES		CLUTCH SPRINGS	
SHOE TYPE <u>Alu</u> x <u>4</u>	with	SPRINGS TYPE <u>.95</u> mm	

**ENGINE, PIPE AND FUEL**

ENGINE BRAND	<u>Maxima</u>	TYPE	<u>B2</u>
HEADSHIMS	mm	GLOWPLUG	<u>P3</u> CARB Ø <u>6.4</u> mm
EXHAUST PIPE	<u>OS 2060</u>	MANIFOLD	
FUEL BRAND	<u>Maxima</u>	NITRO	<u>25</u> %

**FLEX CONFIGURATION**

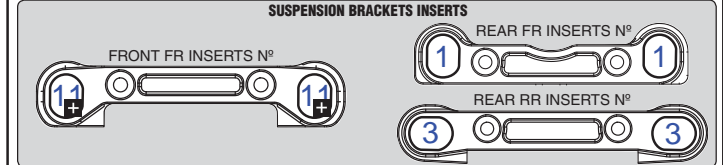
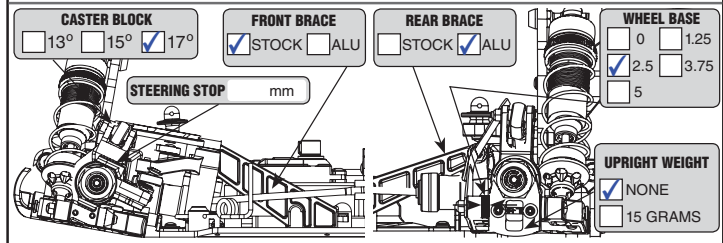
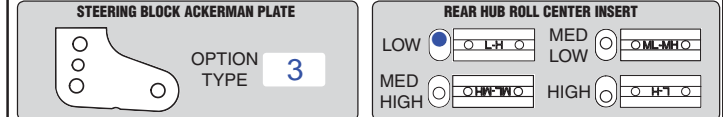
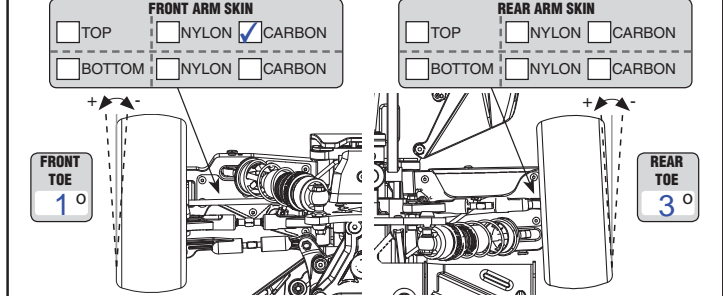
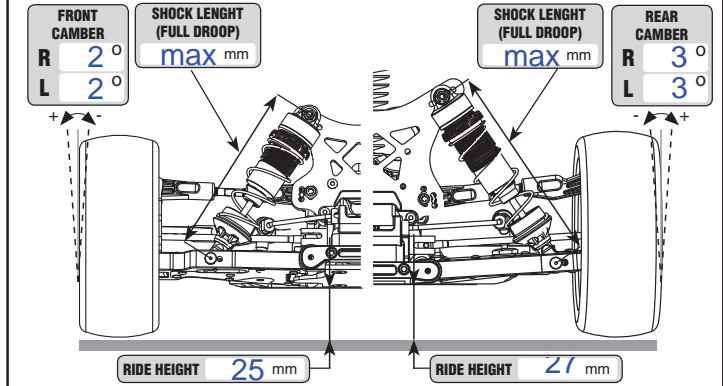
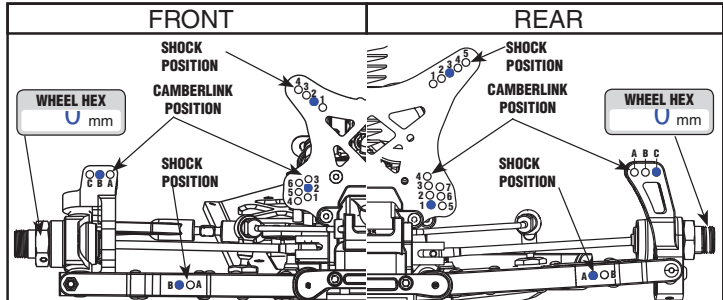
ENGINE MOUNT	<input checked="" type="checkbox"/> STANDARD	<input type="checkbox"/> MONOBLOCK
--------------	--	------------------------------------

**AERODYNAMIC CONFIGURATION**

BODY  STANDARD  HIGH DOWNFORCE  OTHER

WING TYPE SERPENT WING PLATES  2°  4°  6°  
 GURNEY STRIP  YES  NO CENTER FOIL  YES  NO

FRONT TIRES	Controlled Tire	REAR
<u>Proline</u>	MAKE	<u>Proline</u>
<u>Fugitive</u>	TYPE	<u>Fugitive</u>
<u>PL</u>	INSERTS	<u>PL</u>
<u>PL</u>	WHEELS	<u>PL</u>



REMARKS Aluminium shock towers.