

## DRIVER, TRACK AND RESULTS

**DRIVER** Colin Meijer    **COUNTRY** Netherlands    **WEATHER** AIR TEMP 18 TRACK TEMP  DRY  INTERMEDIATE  WET  
**RACE** Dutch Nats Rnd 4    **DATE** 3 July 2016    **QUALY POS.** 16    **STARTING POS.** 15    **FINAL POS.** 7    **FASTEST LAP** 43,02  
**TRACK** Appingedam NL    **TYPE**  TIGHT  MEDIUM  OPEN     **GRIP**  LOW  MEDIUM  HIGH   
**SURFACE CONDITION**  SMOOTH  ROUGH  Track was wet and muddy, low traction.  
**TYPE**  HARD PACKED  CLAY  MULTI/SURFACE  GRASS  BLUE GROOVE  DIRT  ASTRO-TURF

FRONT SHOCK ABSORBERS		REAR
550 cst	OIL	350 cst
Green (Kit)	SPRINGS	Purple (Kit)
10 mm	REBOUND	10 mm
N° HOLES 6	Ø 1.3 mm	PISTONS N° HOLES 6 Ø 1.3 mm
<input checked="" type="checkbox"/> BLADDER	SEAL TYPE	<input type="checkbox"/> BLADDER
<input type="checkbox"/> EMULSION		<input type="checkbox"/> EMULSION

FRONT ANTI-ROLL BARS		REAR
<input type="checkbox"/> 1.8	<input checked="" type="checkbox"/> 2.0	<input type="checkbox"/> 1.8
<input type="checkbox"/> 2.3	<input type="checkbox"/> 2.5	<input checked="" type="checkbox"/> 2.3
<input type="checkbox"/> 2.7		<input type="checkbox"/> 2.5
<input type="checkbox"/> 2.7		<input type="checkbox"/> 2.7

DIFFERENTIAL OIL		
FRONT DIFF	CENTER DIFF	REAR DIFF
7000 cst	7000 cst	7000 cst

GEARING	
CLUTCH BELL	SPUR GEAR
13 Teeth	46 Teeth

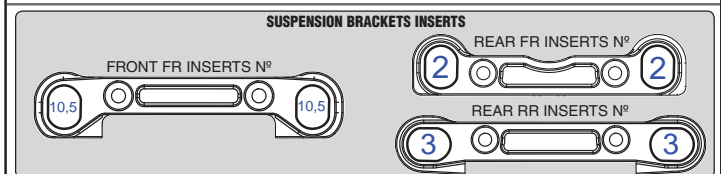
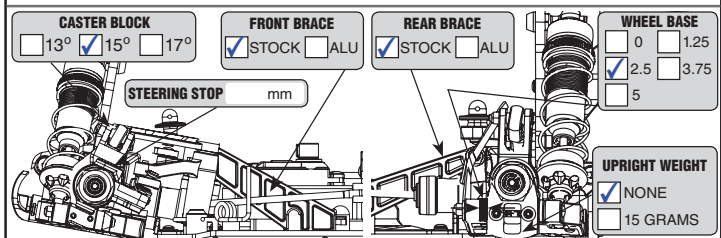
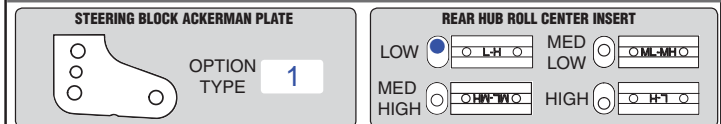
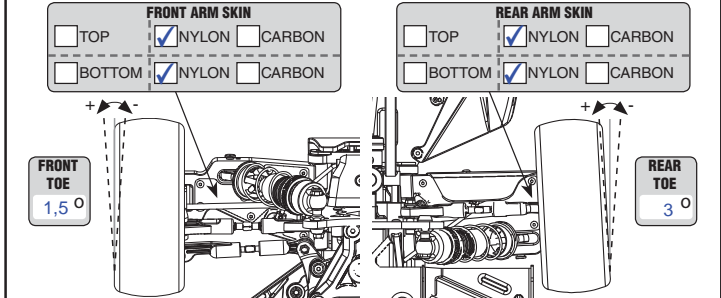
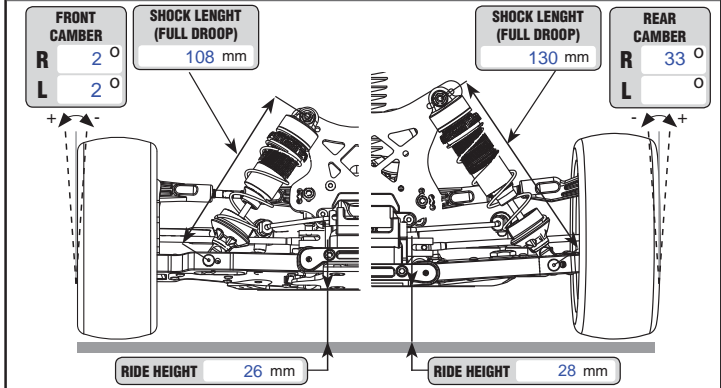
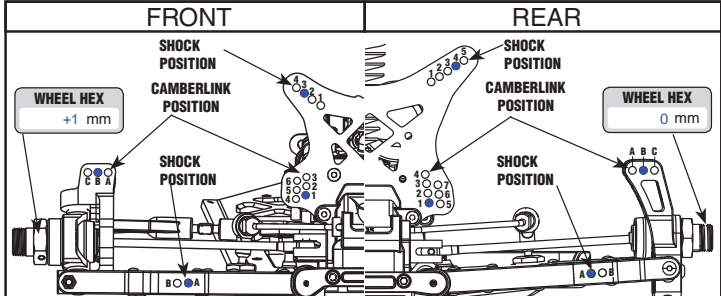
CLUTCH	
<input checked="" type="checkbox"/> STANDARD	<input type="checkbox"/> VENTED
<input type="checkbox"/> STEEL	<input checked="" type="checkbox"/> ALU
CLUTCH SHOES	CLUTCH SPRINGS
SHOE TYPE ALU x 2 with	SPRINGS TYPE Green mm
SHOE TYPE ALU x 2 with	SPRINGS TYPE Black mm

ENGINE, PIPE AND FUEL			
ENGINE BRAND	Ninja B03	TYPE	
HEADSHIMS	mm	GLOWPLUG	P4 CARB Ø 6,5 mm
EXHAUST PIPE	OS3090	MANIFOLD	OS
FUEL BRAND	Hot Fire	NITRO	25 %

FLEX CONFIGURATION	
ENGINE MOUNT	<input checked="" type="checkbox"/> STANDARD <input type="checkbox"/> MONOBLOCK

AERODYNAMIC CONFIGURATION	
BODY	<input checked="" type="checkbox"/> STANDARD <input type="checkbox"/> HIGH DOWNFORCE <input type="checkbox"/> OTHER
<b>WING</b>	
TYPE	Kit WING PLATES <input type="checkbox"/> 2° <input checked="" type="checkbox"/> 4° <input type="checkbox"/> 6°
GURNEY STRIP	<input type="checkbox"/> YES <input type="checkbox"/> NO CENTER FOIL <input type="checkbox"/> YES <input type="checkbox"/> NO

FRONT TIRES		Controlled Tire	REAR
Schumacher	MAKE		Schumacher
Spiral Yellow	TYPE		Spiral Yellow
AKA Red	INSERTS		AKA Red
AKA	WHEELS		AKA



**REMARKS** Pistons : Kit 6 holes, 3 holes drilled to 1,6 mm.