



RACE **Rcone race** DATE **02.042016** TRACK **Rcone**  
 DRIVER **Marius Kristensen** TRACK TEMP **15** AIR TEMP **20**

INDOOR  TIGHT  MEDIUM  LOW BITE  HIGH BITE  
 OUTDOOR  OPEN   MED BITE

TRACK DESCRIPTION  
 SMOOTH  HARD PACKED  GRASS  ASTRO-TURF  CLAY  
 ROUGH  BLUE GROOVE  CARPET  MULTI/SURFACE

**FRONT DIFFERENTIALS REAR**

BALL DIFFERENTIAL  BALL DIFFERENTIAL  
 GEAR DIFF **cst**  GEAR DIFF **5000** cst  
 ONE WAY  
 DIFFERENTIAL HEIGHT DIFFERENTIAL HEIGHT  
 HIGH  MED  LOW  HIGH  MED  LOW

**GEAR RATIO**

SPUR GEAR	TEETH	84
PINION	TEETH	18
<b>FINAL DRIVE RATIO</b>		

**ELECTRONICS**

**BATTERY**  
 BRAND **gens ace** CAPACITY **4200**

**MOTOR**  
 BRAND **reedy** TYPE **6.5** TIMING **25**

**ESC**  
 BRAND **Reedy** TYPE **Blacbox**

**SHOCK ABSORBERS**

	FRONT	REAR	
OIL	40 wt cst	32.5 wt cst	
SPRING	green	yatabe green	
LIMITERS (2)	3mm	3mm	
LENGTH (3)	mm	mm	
REBOUND (4)	mm	mm	
BLADDER / SEAL (5)	<input type="checkbox"/> BLADDER <input checked="" type="checkbox"/> SEAL	<input type="checkbox"/> BLADDER <input checked="" type="checkbox"/> SEAL	
SPRING BUCKET	<input checked="" type="checkbox"/> SHORT <input type="checkbox"/> LONG	<input checked="" type="checkbox"/> SHORT <input type="checkbox"/> LONG	
PISTONS (1)	N° OF HOLES	2	3
	DIAMETER	1,7 mm	1,5 mm
<b>TYPE</b> <input type="checkbox"/> STOCK <input type="checkbox"/> CONICAL <input checked="" type="checkbox"/> SQUARE			

**FRONT**  ANTI-ROLL BARS **REAR**

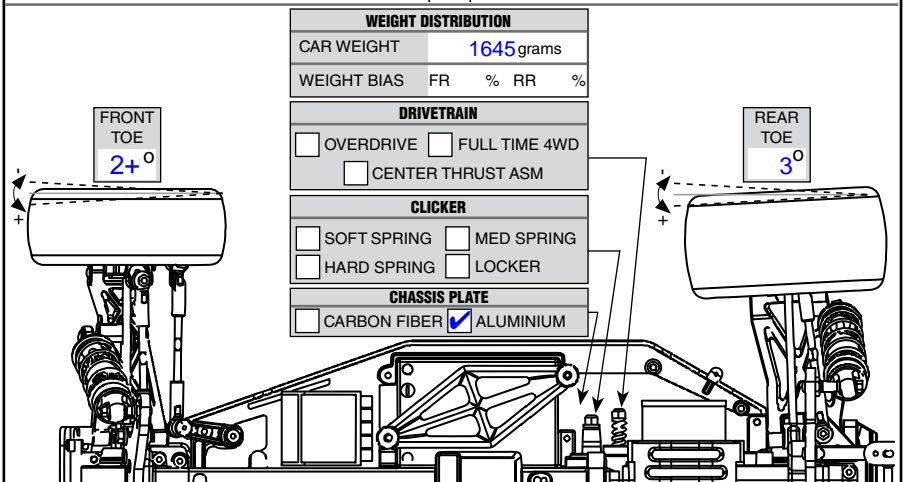
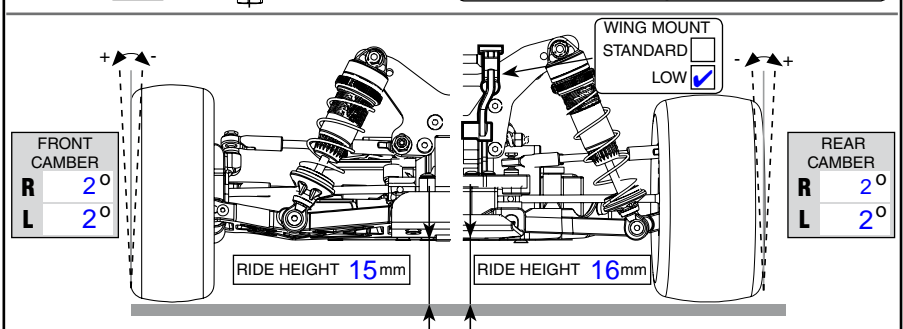
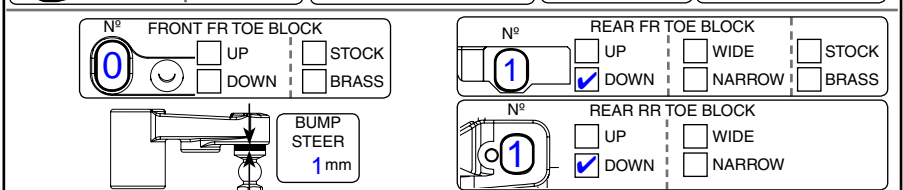
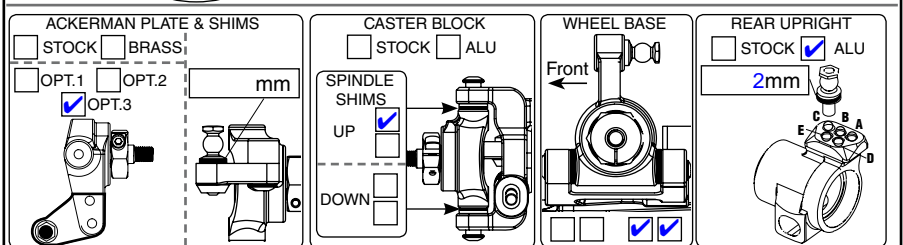
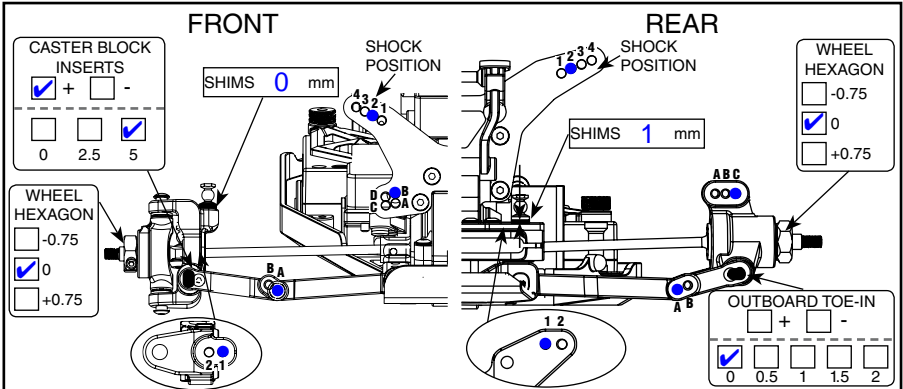
Other    Other  
 0.9 1 1.1 1.1 1.3 1.5

**TIRES**

FRONT	Controlled Tire	REAR
<b>shumi</b>	<input type="checkbox"/>	<b>shumi</b>
<b>LP stagger rib</b>	MAKE	<b>mini pin 1</b>
	TYPE	
	COMPOUND	
	INSERT TYPE	
	WHEELS	
	ADDITIVE	

**AERODYNAMIC CONFIGURATION**

<b>BODY</b>	BRAND	TYPE
<b>REAR WING</b>	BRAND <b>serpent</b>	TYPE <b>6.5</b>
<b>REAR WING WIDTH</b>		
<b>REAR WING LIP</b>		mm
<b>REAR WING ANGLE</b>	0 <input type="checkbox"/> 2 <input checked="" type="checkbox"/> 4 <input type="checkbox"/> 6 <input type="checkbox"/> 8 <input type="checkbox"/>	
<b>FRONT WING</b>	YES <input type="checkbox"/> NO <input checked="" type="checkbox"/>	



**REMARKS**  
 driven like 2wd, front mounted shocks. shorty across the spline. front diff in for ballast in front. A-Main setup really easy to drive!