



RACE **NC3** DATE **26.06.2016** TRACK **Hvervenbukta**
 DRIVER **Marius Kristensen** TRACK TEMP **15** AIR TEMP **23**

INDOOR TIGHT MEDIUM LOW BITE HIGH BITE
 OUTDOOR OPEN MED BITE

TRACK DESCRIPTION
 SMOOTH HARD PACKED GRASS ASTRO-TURF CLAY
 ROUGH BLUE GROOVE CARPET MULTI/SURFACE

FRONT DIFFERENTIALS REAR

BALL DIFFERENTIAL BALL DIFFERENTIAL
 GEAR DIFF **20 K** cst GEAR DIFF **15 K** cst
 ONE WAY
 DIFFERENTIAL HEIGHT DIFFERENTIAL HEIGHT
 HIGH MED LOW HIGH MED LOW

GEAR RATIO

SPUR GEAR	TEETH	86
PINION	TEETH	19
FINAL DRIVE RATIO		

ELECTRONICS

BATTERY
 BRAND **Arrowmax** CAPACITY **5000**

MOTOR
 BRAND **Reedy** TYPE **6.0** TIMING **25**

ESC
 BRAND **Reedy** TYPE **Blackbox**

SHOCK ABSORBERS

	FRONT	REAR
OIL	650 cst	450 cst
SPRING	Orange	blue Serpent
LIMITERS (2)	1 mm	2.5 mm
LENGTH (3)	mm	mm
REBOUND (4)	mm	mm
BLADDER / SEAL (5)	<input checked="" type="checkbox"/> BLADDER <input checked="" type="checkbox"/> BLADDER <input type="checkbox"/> SEAL <input type="checkbox"/> SEAL	<input checked="" type="checkbox"/> BLADDER <input checked="" type="checkbox"/> BLADDER <input type="checkbox"/> SEAL <input type="checkbox"/> SEAL
SPRING BUCKET	<input type="checkbox"/> SHORT <input type="checkbox"/> SHORT <input type="checkbox"/> LONG <input type="checkbox"/> LONG	<input type="checkbox"/> SHORT <input type="checkbox"/> SHORT <input type="checkbox"/> LONG <input type="checkbox"/> LONG
PISTONS (1)	N° OF HOLES	4
	DIAMETER	mm
TYPE <input type="checkbox"/> STOCK <input type="checkbox"/> CONICAL <input checked="" type="checkbox"/> SQUARE		

FRONT ANTI-ROLL BARS **REAR**

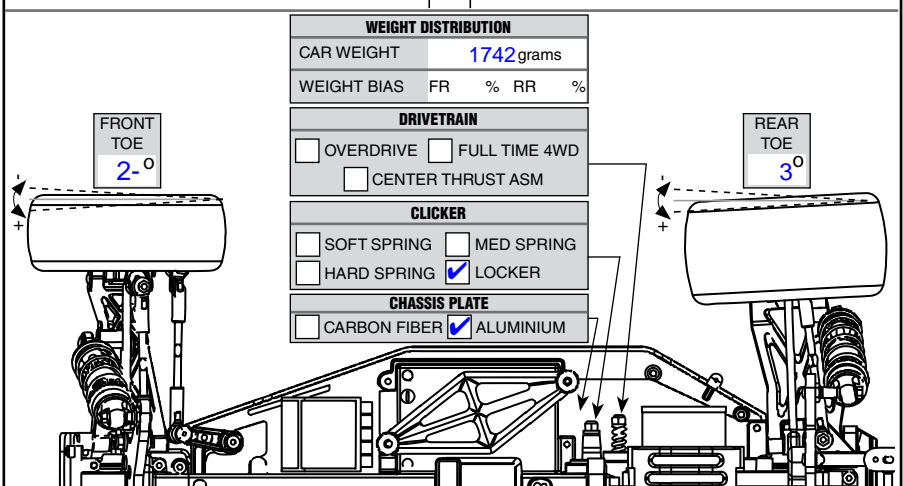
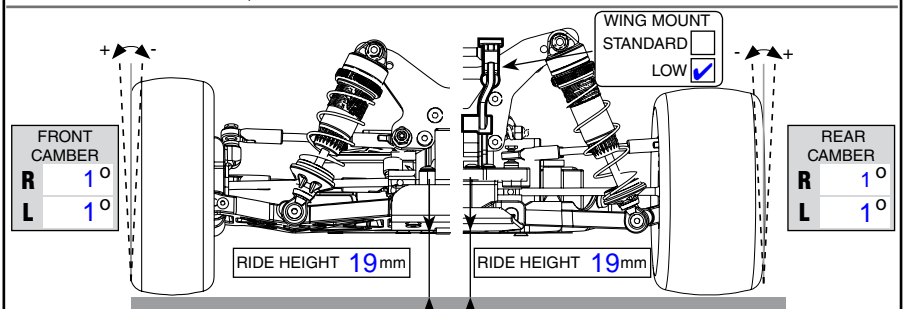
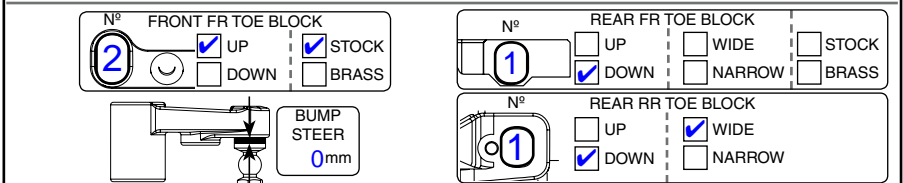
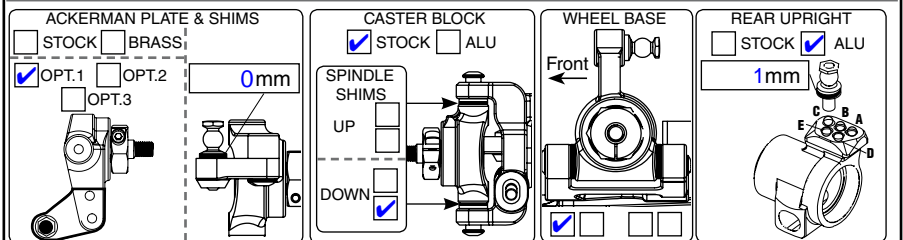
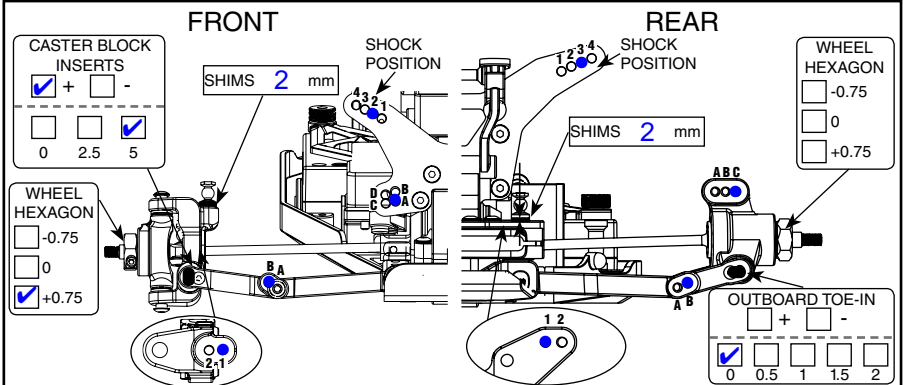
Other Other
 0.9 1 1.1 **2.0** 1.1 1.3 1.5

TIRES

FRONT	Controlled Tire	REAR
schumi	<input type="checkbox"/>	schumi
Cut stagger rib 2wd!	MAKE	Mini pin
	TYPE	
	COMPOUND	
	INSERT TYPE	
	WHEELS	
	ADDITIVE	

AERODYNAMIC CONFIGURATION

BODY BRAND **Proline** TYPE **cat sx3**
REAR WING BRAND **Serpent** TYPE **6.5**
REAR WING WIDTH
REAR WING LIP mm
REAR WING ANGLE 0 2 4 6 8
FRONT WING YES NO



REMARKS

2.0 mm chassis, Hard front and rear arms. pistons 1.5x2 1.1x2 front, 1.6X2 1.1X2 rear orange YOKO front spring 2wd tires front without foam. shock in front of the rear tower