



RACE Winter challenge DATE 20.02.2016 TRACK Bergen raceway
 DRIVER Marius Kristensen TRACK TEMP 15 AIR TEMP 20

INDOOR TIGHT MEDIUM LOW BITE HIGH BITE
 OUTDOOR OPEN MED BITE

TRACK DESCRIPTION
 SMOOTH HARD PACKED GRASS ASTRO-TURF CLAY
 ROUGH BLUE GROOVE CARPET MULTI/SURFACE

FRONT DIFFERENTIALS REAR

BALL DIFFERENTIAL BALL DIFFERENTIAL
 GEAR DIFF 20000 cst GEAR DIFF 15000 cst
 ONE WAY
 DIFFERENTIAL HEIGHT DIFFERENTIAL HEIGHT
 HIGH MED LOW HIGH MED LOW

GEAR RATIO

SPUR GEAR	TEETH	84
PINION	TEETH	18
FINAL DRIVE RATIO		.

ELECTRONICS

BATTERY
 BRAND Gens ace CAPACITY 4200

MOTOR
 BRAND Reedy TYPE 6.0 TIMING 5

ESC
 BRAND Reedy TYPE Blackbox

SHOCK ABSORBERS

	FRONT	REAR
OIL	<u>50</u> cst	<u>42,5</u> cst
SPRING	<u>4.20</u> ass	<u>purple astro</u>
LIMITERS (2)	<u>1</u> mm	<u>3</u> mm
LENGTH (3)	mm	mm
REBOUND (4)	<u>0</u> mm	<u>0</u> mm
BLADDER / SEAL (5)	<input type="checkbox"/> BLADDER <input checked="" type="checkbox"/> SEAL	<input type="checkbox"/> BLADDER <input checked="" type="checkbox"/> SEAL
SPRING BUCKET	<input type="checkbox"/> SHORT <input checked="" type="checkbox"/> LONG	<input type="checkbox"/> SHORT <input type="checkbox"/> LONG
PISTONS (1)	N° OF HOLES <u>3</u>	<u>3</u>
	DIAMETER <u>1,4</u> mm	<u>1,5</u> mm
TYPE <input type="checkbox"/> STOCK <input checked="" type="checkbox"/> CONICAL <input type="checkbox"/> SQUARE		

FRONT ANTI-ROLL BARS **REAR**

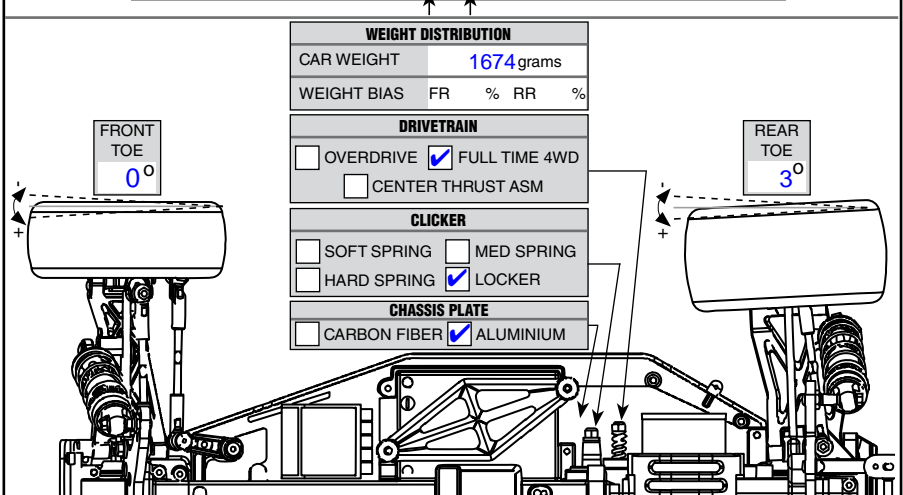
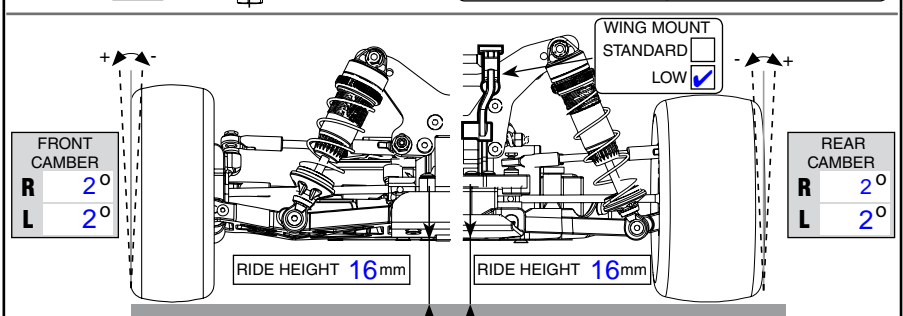
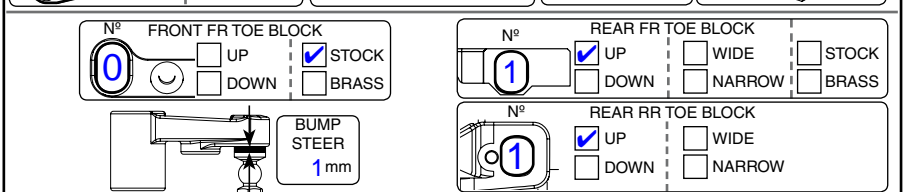
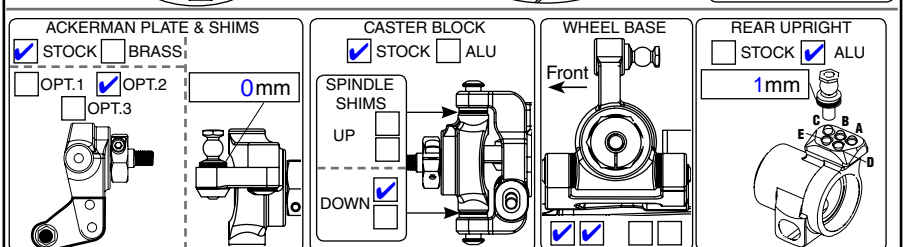
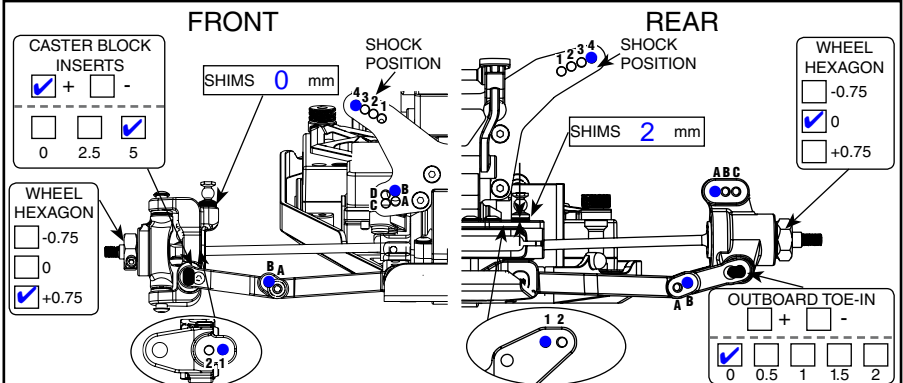
Other 2.0 Other
 0.9 1 1.1 1.1 1.3 1.5

TIRES

FRONT	Controlled Tire	REAR
<u>Shumacher</u>	MAKE	<u>Shumacher</u>
<u>Wide stagger</u>	TYPE	<u>Mini pin</u>
<u>Yellow</u>	COMPOUND	<u>Yellow</u>
	INSERT TYPE	
	WHEELS	
	ADDITIVE	

AERODYNAMIC CONFIGURATION

BODY BRAND Proline TYPE Bulldog sx3
REAR WING BRAND Serpent TYPE 6.5
REAR WING WIDTH
REAR WING LIP mm
REAR WING ANGLE 0 2 4 6 8
FRONT WING YES NO



REMARKS
 2,0 mm chassi Alu. Titanium links. Plastic diff in rear.
 purple front ASS springs. most important part of the setup is the 2.0 mm sway bar front. made of piano wire. A main setup. really easy to drive on carpet.