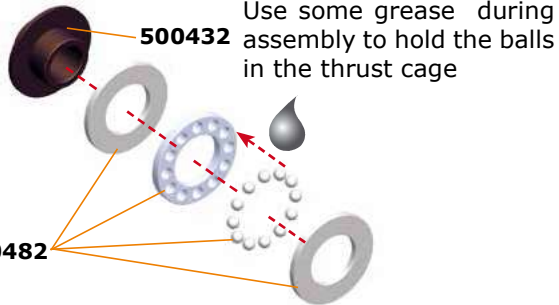


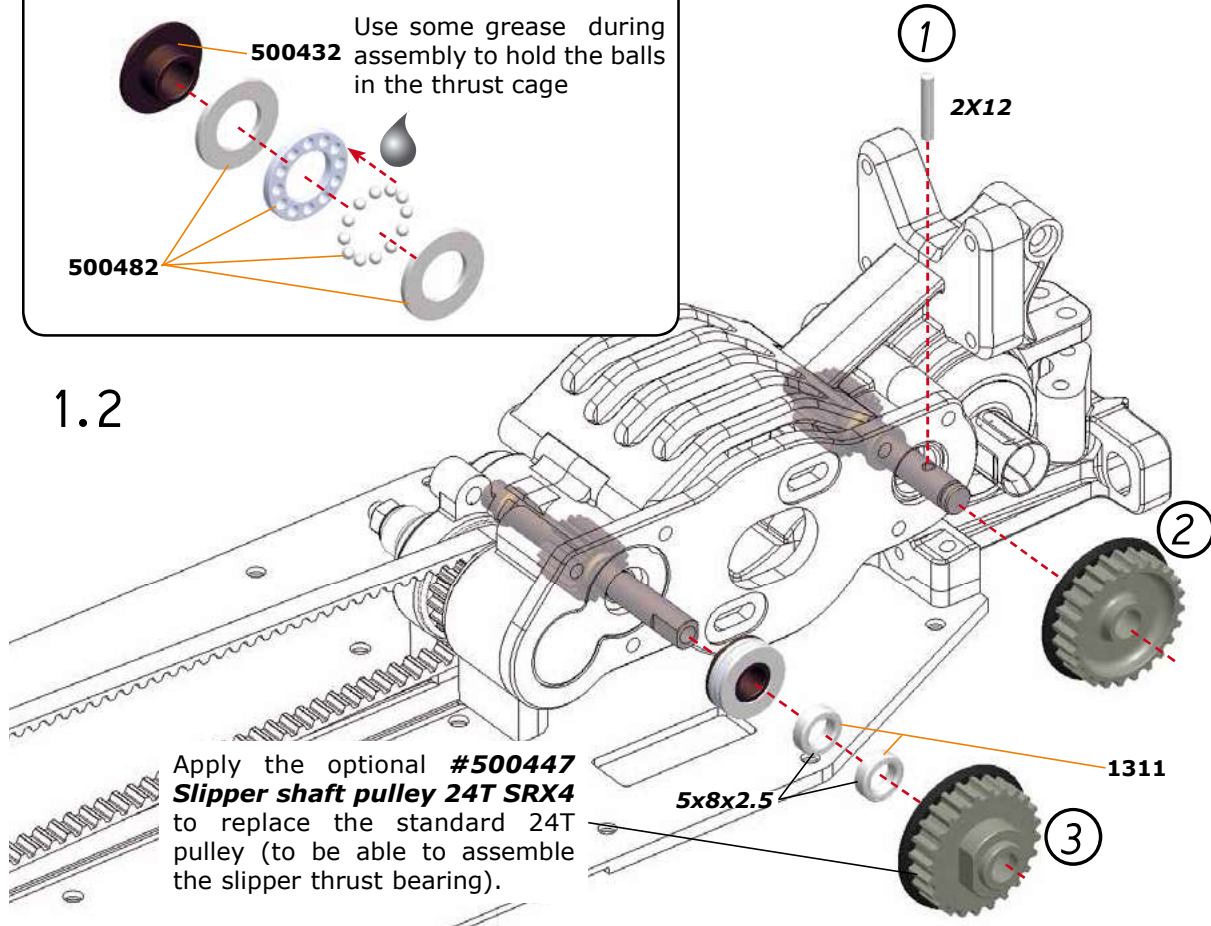
SLIPPER SET SRX4 (#500483)

STEP
1

1.1

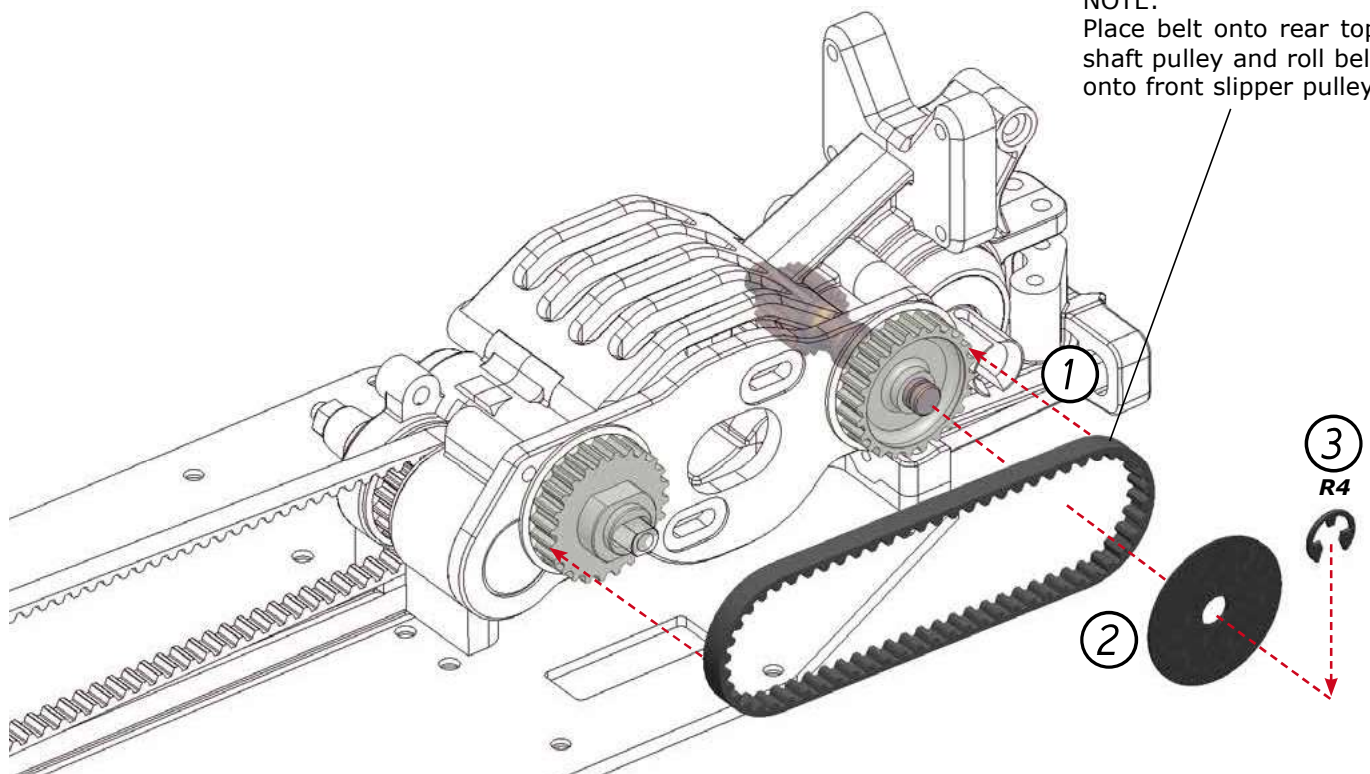


1.2



STEP
2

NOTE:
Place belt onto rear top shaft pulley and roll belt onto front slipper pulley



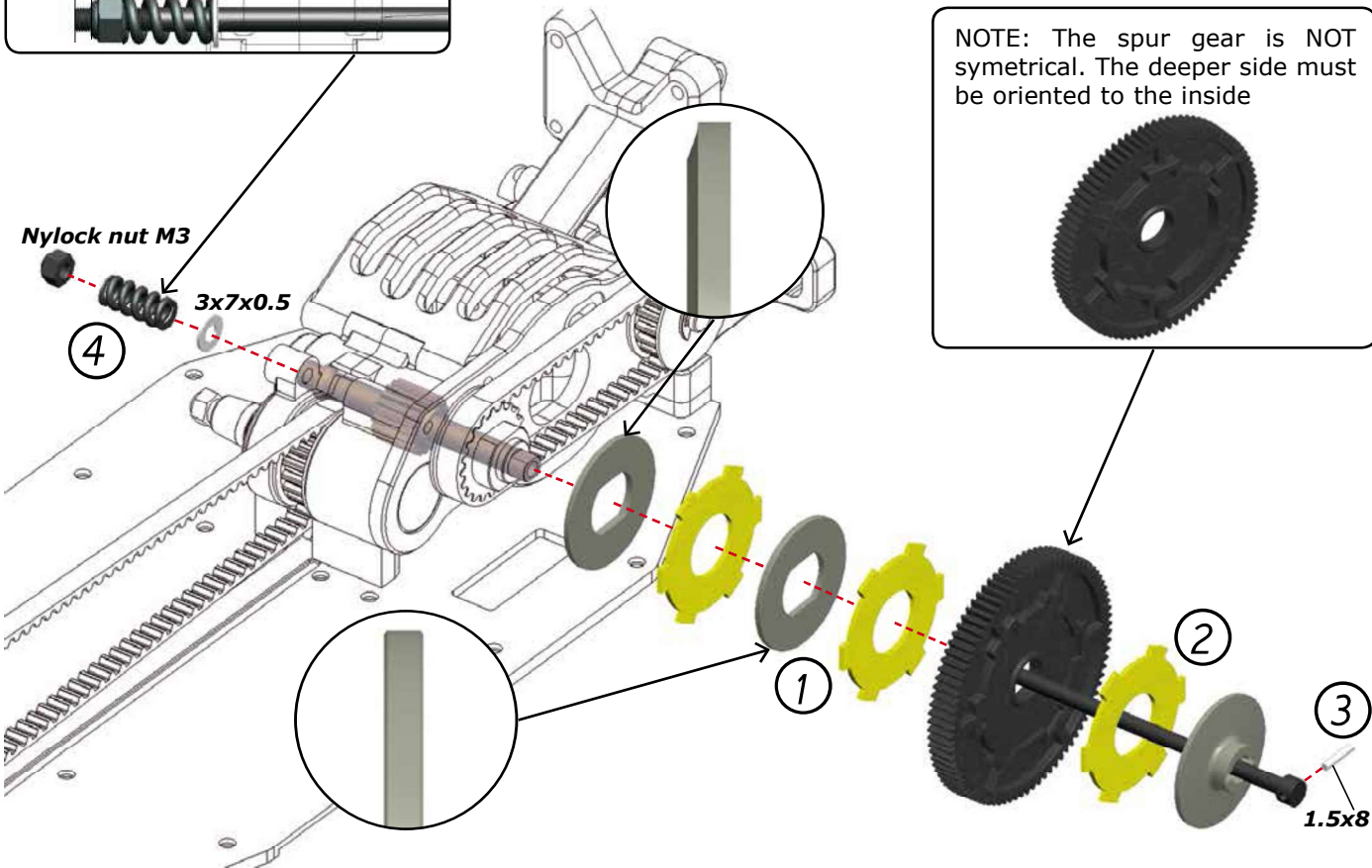
INITIAL SETTING OF THE SLIPPER

1.5 - 2 mm

Nylock nut M3

3x7x0.5

4



NOTE: The spur gear is NOT symmetrical. The deeper side must be oriented to the inside

1.5x8