



FRONT DIFFERENTIALS REAR

<input checked="" type="checkbox"/> BALL DIFFERENTIAL	<input checked="" type="checkbox"/> BALL DIFFERENTIAL
<input type="checkbox"/> GEAR DIFF cst	<input type="checkbox"/> GEAR DIFF cst
<input type="checkbox"/> ONE WAY	
DIFFERENTIAL HEIGHT	DIFFERENTIAL HEIGHT
<input type="checkbox"/> HIGH <input checked="" type="checkbox"/> MED <input type="checkbox"/> LOW	<input type="checkbox"/> HIGH <input checked="" type="checkbox"/> MED <input type="checkbox"/> LOW

GEAR RATIO

SPUR GEAR	TEETH	84
PINION	TEETH	19
FINAL DRIVE RATIO		

ELECTRONICS

BATTERY
 BRAND **Gens Ace** CAPACITY **4600 mah**

MOTOR
 BRAND **Hobbywing** TYPE **6.5** TIMING **30**

ESC
 BRAND **Hobbywing** TYPE **V3.1**

SHOCK ABSORBERS

OIL	FRONT	REAR	
SPRING	35 W cst	30 W cst	
LIMITERS (2)	TLR Silver	TLR Yellow	
LENGTH (3)	2 mm	2 mm	
REBOUND (4)	0 mm	0 mm	
BLADDER / SEAL (5)	<input type="checkbox"/> BLADDER <input checked="" type="checkbox"/> SEAL	<input type="checkbox"/> BLADDER <input checked="" type="checkbox"/> SEAL	
SPRING BUCKET	<input type="checkbox"/> SHORT <input checked="" type="checkbox"/> LONG	<input type="checkbox"/> SHORT <input type="checkbox"/> LONG	
PISTONS (1)	N° OF HOLES	2	3
	DIAMETER	1.5 mm	1.4 mm
TYPE			
<input type="checkbox"/> STOCK <input type="checkbox"/> CONICAL <input checked="" type="checkbox"/> SQUARE			

FRONT ANTI-ROLL BARS **REAR**

0.9 1 1.1 Other 1.1 1.3 1.5 Other

TIRES

FRONT	Controlled Tire <input type="checkbox"/>	REAR
AKA	MAKE	AKA
Impact	TYPE	Impact
Green	COMPOUND	Orange
Open Cell	INSERT TYPE	Open Cell
Serpent 2.2"	WHEELS	AKA Hexlite
NA	ADDITIVE	NA

AERODYNAMIC CONFIGURATION

BODY BRAND **Serpent** TYPE **Stock**

REAR WING BRAND **Serpent** TYPE **Stock**

REAR WING WIDTH **6.5"**

REAR WING LIP **Line** mm

REAR WING ANGLE 0 2 4 6 8

FRONT WING YES NO

RACE **Club Race** DATE **07/14/2017** TRACK **Newberry RC Park**

DRIVER **Kyle Roberts** TRACK TEMP AIR TEMP

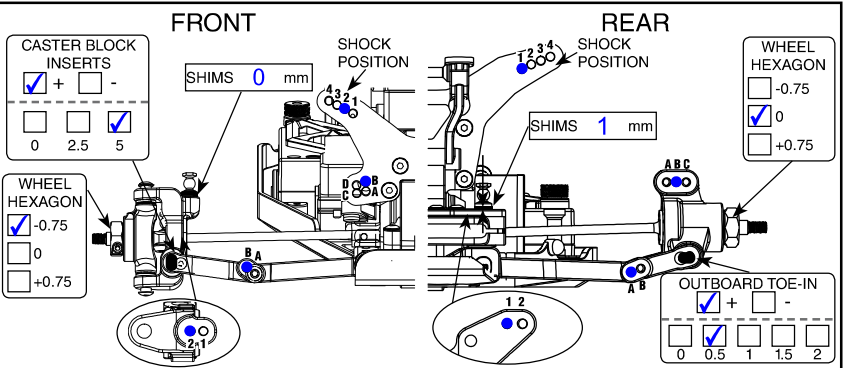
TRACK DESCRIPTION

INDOOR TIGHT MEDIUM LOW BITE HIGH BITE

OUTDOOR OPEN MED BITE

SMOOTH HARD PACKED GRASS ASTRO-TURF CLAY

ROUGH BLUE GROOVE CARPET MULTI/SURFACE



ACKERMAN PLATE & SHIMS STOCK BRASS OPT.1 OPT.2 OPT.3 **0 mm**

CASTER BLOCK STOCK ALU

WHEEL BASE FRONT REAR

REAR UPRIGHT STOCK ALU **mm**

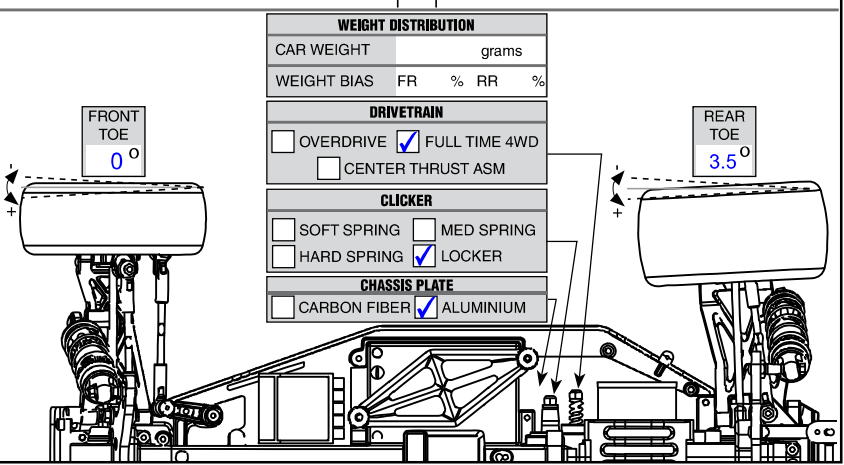
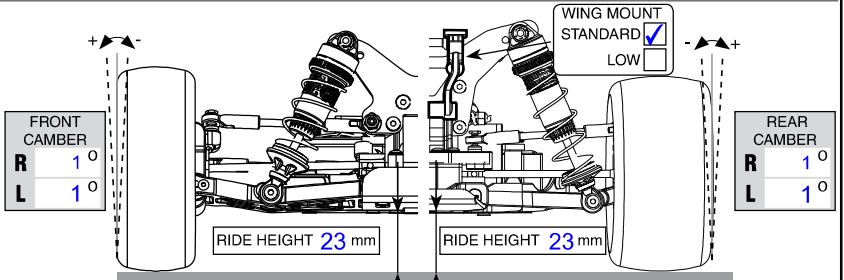
SPINDLE SHIMS UP DOWN

FRONT FR TOE BLOCK N° **0** UP STOCK BRASS DOWN

REAR FR TOE BLOCK N° **1** UP WIDE STOCK BRASS NARROW DOWN

REAR RR TOE BLOCK N° **0** UP WIDE NARROW DOWN

BUMP STEER **0 mm**



REMARKS

Shorty conversion. Front spindle lowest setting. -1 Ackerman plate, shocks mounted in front of rear arm in middle hole. Car very calm and comfortable to drive. Took TQ and Win.