



| Front | Differential | Rear |
|--|--|-------------------------------|
| <input type="checkbox"/> Ball | <input checked="" type="checkbox"/> Ball | <input type="checkbox"/> Ball |
| <input checked="" type="checkbox"/> Gear 15000 cst | <input type="checkbox"/> Gear | cst |
| <input type="checkbox"/> Oneway | | |

| | |
|---|--|
| Differential Height | Differential Height |
| <input type="checkbox"/> High <input type="checkbox"/> Med <input type="checkbox"/> Low | <input type="checkbox"/> High <input checked="" type="checkbox"/> Med <input type="checkbox"/> Low |

| Gear Ratio | |
|-------------------|----|
| Spur Gear | 86 |
| Pinion | 25 |
| Final Drive Ratio | |

| Electronics | |
|-------------|------------------------------|
| Battery | Motiv Shorty |
| Motor | Motiv MC2 |
| ESC | Hobbywing XR-10 pro mod spec |
| ESC Setting | |
| Radio | |
| Receiver | |

| Shock Absorbers | | | |
|--------------------|--|-----|---|
| Oil | Front | | Rear |
| Spring | 450 | cst | 400 |
| Limiters (2) | Blue | | Astro Red |
| Lenght (3) | | mm | mm |
| Rebound (4) | 87 | mm | 102 |
| Bladder / Seal (5) | <input type="checkbox"/> Bladder <input checked="" type="checkbox"/> Seal | | <input type="checkbox"/> Bladder <input checked="" type="checkbox"/> Seal |
| Spring Cup | <input type="checkbox"/> Short <input checked="" type="checkbox"/> Long | | <input checked="" type="checkbox"/> Short <input type="checkbox"/> Long |
| Pistons (1) | # Holes 2 | | 2 |
| | Diameter 1.6 mm | | 1.7 mm |
| | Front <input checked="" type="checkbox"/> Stock <input type="checkbox"/> Conical <input type="checkbox"/> A <input type="checkbox"/> V <input type="checkbox"/> Square | | Rear <input checked="" type="checkbox"/> Stock <input type="checkbox"/> Conical <input type="checkbox"/> A <input type="checkbox"/> V <input type="checkbox"/> Square |

| Front | Anti-Roll Bar | Rear |
|--|---|---|
| <input type="checkbox"/> 0.9 <input type="checkbox"/> 1 <input type="checkbox"/> 1.1 | <input checked="" type="checkbox"/> 1.1 <input type="checkbox"/> 1.3 <input type="checkbox"/> 1.5 | <input checked="" type="checkbox"/> Other |

| Front | Tires | Rear |
|--|----------|------------|
| Controlled Tire <input type="checkbox"/> | | |
| J Concepts | Brand | J Concepts |
| Space Bar | Type | Space Bar |
| Clay | Compound | Clay |
| stock | Insert | stock |
| Serpent | Wheel | Serpent |
| | Additive | |
| | Comments | |

| Aerodynamics | |
|-----------------|---|
| Body | Stock |
| Rear Wing | J Concepts |
| Rear Wing Width | |
| Rear Wing Lip | mm |
| Rear Wing Angle | 0 <input checked="" type="checkbox"/> 2 <input type="checkbox"/> 4 <input type="checkbox"/> 6 <input type="checkbox"/> 8 <input type="checkbox"/> |
| Front Wing | No <input checked="" type="checkbox"/> Yes <input type="checkbox"/> |

Race Ae Champs Date 2017 Track Trackside

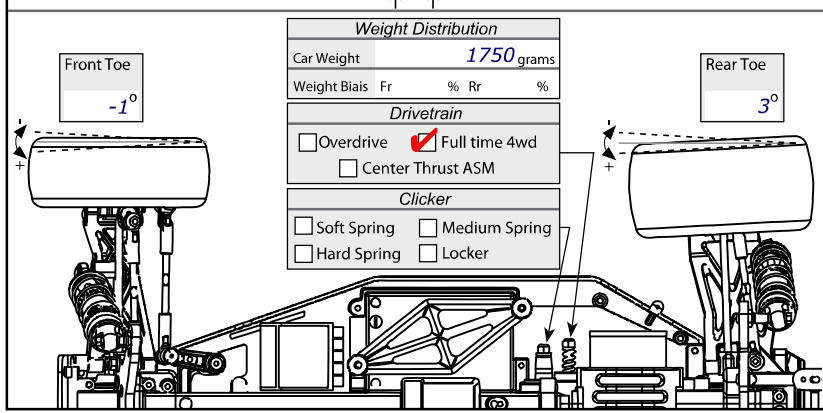
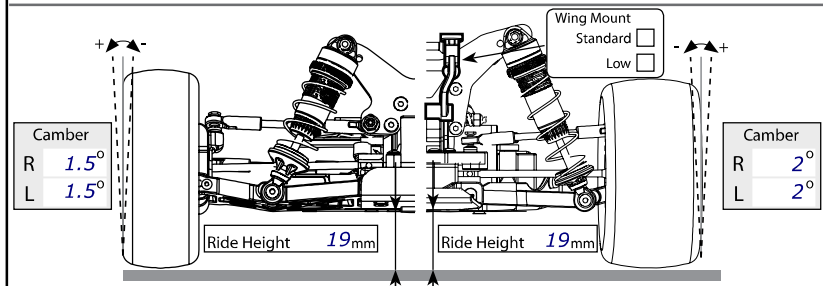
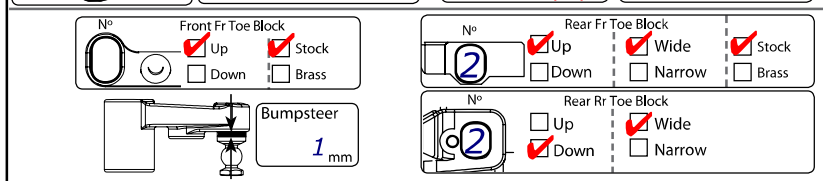
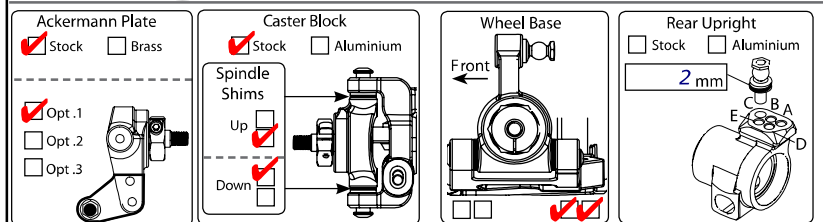
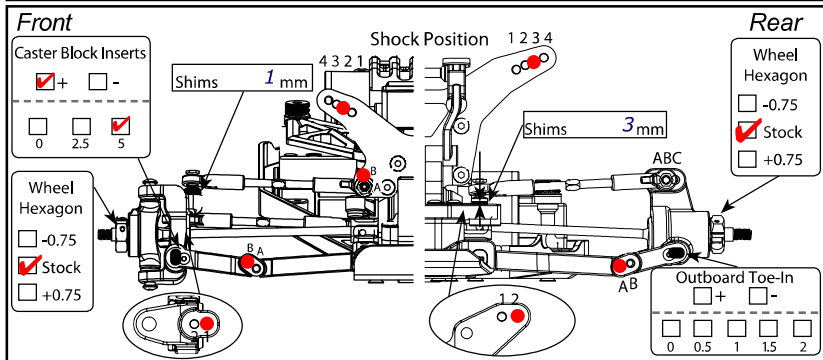
Driver Kyle Gannon Track Temp Air Temp

Track Description Indoor Tight Medium Low Bite High Bite

Outdoor Open Medium Bite

Dry Smooth Hard Packed Grass Astroturf Clay Dirt

Wet Rough Blue Groove Carpet Multisurface



Comments

Shorty conversion. Schelle rear hubs with 67mm axle conversion. 5mm J Concepts rear hubs. 2mm outer camber shim in inner hole. Full front kickup. No front sway bar. Rear shocks forward, center hole in rear arms.

Editable by Am0 at PetitRC.com