



RACE DATE TRACK

DRIVER TRACK TEMP AIR TEMP

INDOOR TIGHT MEDIUM LOW BITE HIGH BITE
 OUTDOOR OPEN MED BITE

TRACK DESCRIPTION

SMOOTH HARD PACKED GRASS ASTRO-TURF CLAY
 ROUGH BLUE GROOVE CARPET MULTI/SURFACE

FRONT DIFFERENTIALS REAR

BALL DIFFERENTIAL BALL DIFFERENTIAL
 GEAR DIFF cst GEAR DIFF cst
 ONE WAY

DIFFERENTIAL HEIGHT DIFFERENTIAL HEIGHT

HIGH MED LOW HIGH MED LOW

GEAR RATIO

SPUR GEAR	TEETH
PINION	TEETH
FINAL DRIVE RATIO	

ELECTRONICS

BATTERY

BRAND CAPACITY

MOTOR

BRAND TYPE TIMING

ESC

BRAND TYPE

SHOCK ABSORBERS

		FRONT	REAR
OIL	(5)	cst	cst
SPRING			
LIMITERS (2)	(1)	mm	mm
LENGTH (3)	(2)	mm	mm
REBOUND (4)	(3)	mm	mm
BLADDER / SEAL (5)	(4)	<input type="checkbox"/> BLADDER <input type="checkbox"/> BLADDER <input type="checkbox"/> SEAL <input type="checkbox"/> SEAL	
SPRING BUCKET		<input type="checkbox"/> SHORT <input type="checkbox"/> SHORT <input type="checkbox"/> LONG <input type="checkbox"/> LONG	
PISTONS (1)	N° OF HOLES		
	DIAMETER	mm	mm
		TYPE	
		<input type="checkbox"/> STOCK <input type="checkbox"/> CONICAL <input type="checkbox"/> SQUARE	

FRONT **ANTI-ROLL BARS** **REAR**

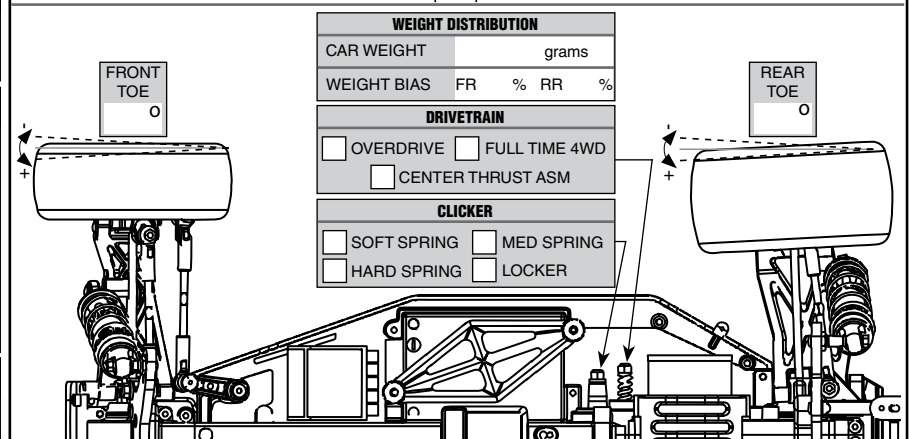
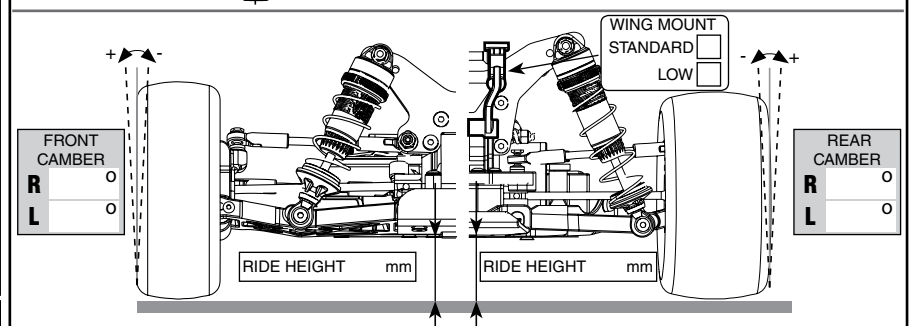
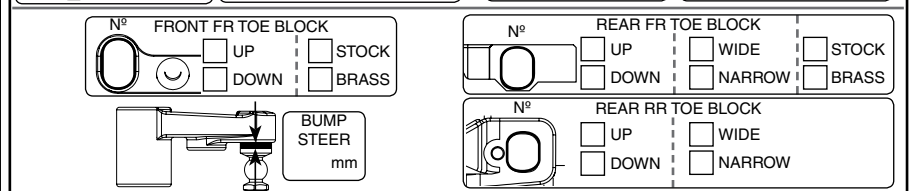
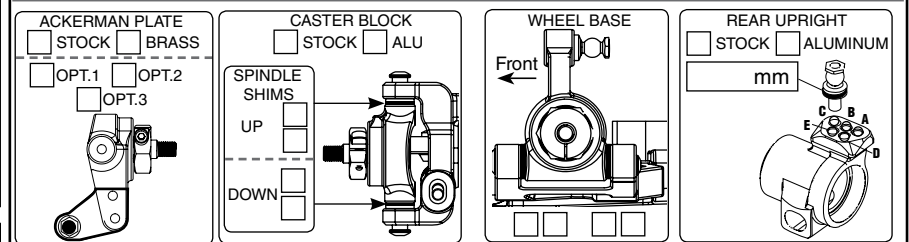
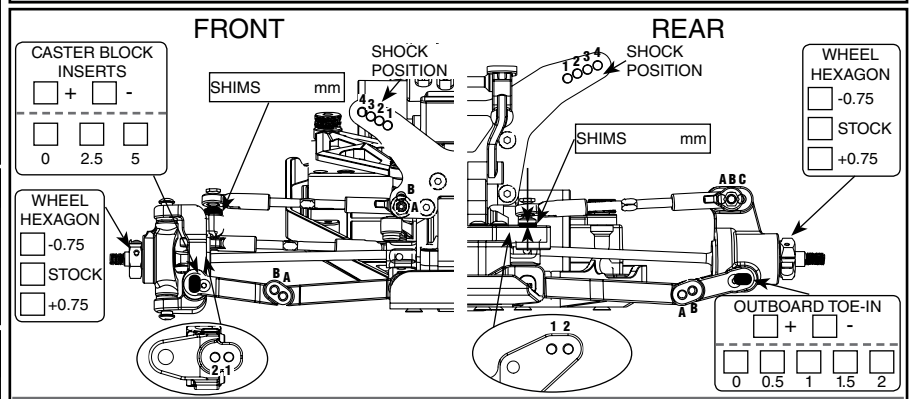
Other Other
 0.9 1 1.1 1.1 1.3 1.5

TIRES

FRONT	Controlled Tire <input type="checkbox"/>	REAR
	MAKE	
	TYPE	
	COMPOUND	
	INSERT TYPE	
	WHEELS	
	ADDITIVE	

AERODYNAMIC CONFIGURATION

BODY	BRAND	TYPE
REAR WING	BRAND	TYPE
REAR WING WIDTH		
REAR WING LIP	mm	
REAR WING ANGLE	0 <input type="checkbox"/> 2 <input type="checkbox"/> 4 <input type="checkbox"/> 6 <input type="checkbox"/> 8 <input type="checkbox"/>	
FRONT WING	YES <input type="checkbox"/> NO <input type="checkbox"/>	



REMARKS