

SET UP

SPYDER SRX4



RACE DATE TRACK

DRIVER TRACK TEMP AIR TEMP

INDOOR TIGHT MEDIUM LOW BITE HIGH BITE
 OUTDOOR OPEN MED BITE

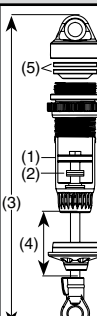
TRACK DESCRIPTION

SMOOTH HARD PACKED GRASS ASTRO-TURF CLAY
 ROUGH BLUE GROOVE CARPET MULTI/SURFACE

FRONT DIFFERENTIALS		REAR	
<input type="checkbox"/> BALL DIFFERENTIAL	<input type="checkbox"/> BALL DIFFERENTIAL	<input type="checkbox"/> BALL DIFFERENTIAL	<input type="checkbox"/> BALL DIFFERENTIAL
<input type="checkbox"/> GEAR DIFF	<input type="checkbox"/> GEAR DIFF	<input type="checkbox"/> GEAR DIFF	<input type="checkbox"/> GEAR DIFF
<input type="checkbox"/> ONE WAY			
DIFFERENTIAL HEIGHT	DIFFERENTIAL HEIGHT		
<input type="checkbox"/> HIGH <input type="checkbox"/> MED <input type="checkbox"/> LOW	<input type="checkbox"/> HIGH <input type="checkbox"/> MED <input type="checkbox"/> LOW		

GEAR RATIO	
SPUR GEAR	TEETH
PINION	TEETH
FINAL DRIVE RATIO	

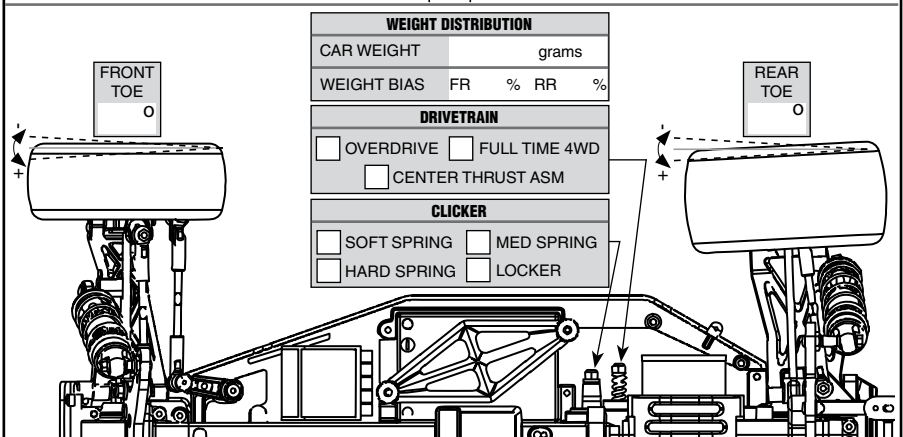
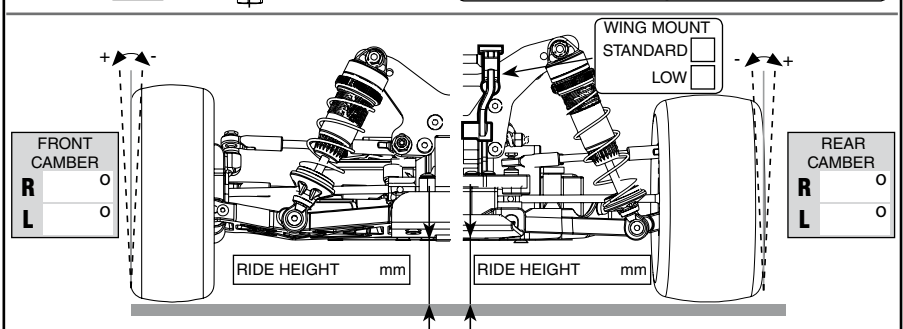
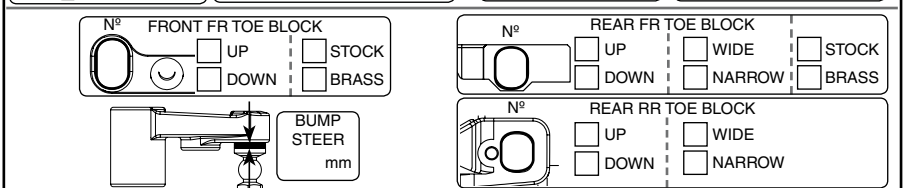
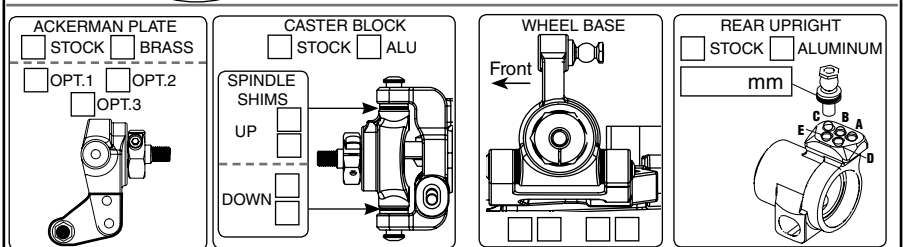
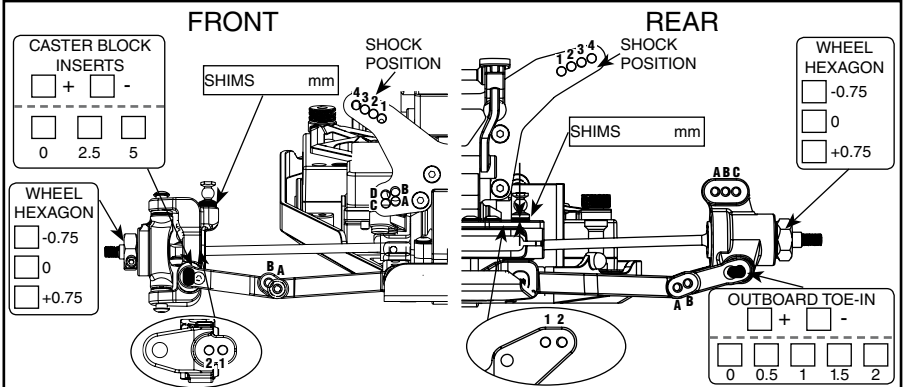
ELECTRONICS		
BATTERY		
BRAND	CAPACITY	
MOTOR		
BRAND	TYPE	TIMING
ESC		
BRAND	TYPE	

SHOCK ABSORBERS			
OIL		FRONT	REAR
SPRING		cst	cst
LIMITERS (2)		mm	mm
LENGTH (3)		mm	mm
REBOUND (4)		mm	mm
BLADDER / SEAL (5)		<input type="checkbox"/> BLADDER <input type="checkbox"/> BLADDER <input type="checkbox"/> SEAL <input type="checkbox"/> SEAL	
SPRING BUCKET		<input type="checkbox"/> SHORT <input type="checkbox"/> SHORT <input type="checkbox"/> LONG <input type="checkbox"/> LONG	
PISTONS (1)	N° OF HOLES		
	DIAMETER	mm	mm
TYPE			
<input type="checkbox"/> STOCK <input type="checkbox"/> CONICAL <input type="checkbox"/> SQUARE			

FRONT	ANTI-ROLL BARS	REAR
<input type="checkbox"/> <input type="checkbox"/> <input type="checkbox"/> Other	<input type="checkbox"/> <input type="checkbox"/> <input type="checkbox"/> Other	<input type="checkbox"/> <input type="checkbox"/> <input type="checkbox"/> Other
0.9 1 1.1	1.1 1.3 1.5	

TIRES		
FRONT	Controlled Tire <input type="checkbox"/>	REAR
	MAKE	
	TYPE	
	COMPOUND	
	INSERT TYPE	
	WHEELS	
	ADDITIVE	

AERODYNAMIC CONFIGURATION		
BODY	BRAND	TYPE
REAR WING	BRAND	TYPE
REAR WING WIDTH		
REAR WING LIP	mm	
REAR WING ANGLE	0 <input type="checkbox"/> 2 <input type="checkbox"/> 4 <input type="checkbox"/> 6 <input type="checkbox"/> 8 <input type="checkbox"/>	
FRONT WING	YES <input type="checkbox"/> NO <input type="checkbox"/>	



REMARKS