

# SET UP



RACE  DATE  TRACK

DRIVER  TRACK TEMP  AIR TEMP

INDOOR     TIGHT    MEDIUM     LOW BITE    HIGH BITE  
 OUTDOOR    OPEN                       MED BITE    \_\_\_\_\_  
 SMOOTH     HARD PACKED    GRASS     ASTRO-TURF    CLAY  
 ROUGH       BLUE GROOVE    CARPET    MULTI/SURFACE    \_\_\_\_\_

TRACK DESCRIPTION

**REAR DIFFERENTIAL**

BALL DIFFERENTIAL    DIFFERENTIAL HEIGHT

GEAR DIFF                      cst     HIGH    MED    LOW

**GEAR RATIO**

|                          |       |
|--------------------------|-------|
| <b>SPUR GEAR</b>         | TEETH |
| <b>PINION</b>            | TEETH |
| <b>FINAL DRIVE RATIO</b> |       |

**ELECTRONICS**

**BATTERY:**    SADDLE     SHORTY

BRAND                      CAPACITY

**MOTOR**

BRAND                      TYPE                      TIMING

**ESC**

BRAND                      TYPE

**SHOCK ABSORBERS**

|   | FRONT  | REAR   |
|---|--|--|
| OIL   | cst  | cst  |
| SPRING  |  |  |
| LIMITERS (2)  | mm   | mm   |
| LENGTH (3)  | mm   | mm   |
| REBOUND (4)   | mm   | mm   |
| BLADDER / SEAL (5)  | <input type="checkbox"/> BLADDER <input type="checkbox"/> BLADDER<br><input type="checkbox"/> SEAL <input type="checkbox"/> SEAL | <input type="checkbox"/> BLADDER <input type="checkbox"/> BLADDER<br><input type="checkbox"/> SEAL <input type="checkbox"/> SEAL |
| SPRING BUCKET   | <input type="checkbox"/> SHORT <input type="checkbox"/> SHORT<br><input type="checkbox"/> LONG <input type="checkbox"/> LONG     | <input type="checkbox"/> SHORT <input type="checkbox"/> SHORT<br><input type="checkbox"/> LONG <input type="checkbox"/> LONG     |
| PISTONS (1)   | N° OF HOLES  |  |
|   | DIAMETER   | mm   |
| <b>TYPE</b>   |  |  |
| <input type="checkbox"/> STOCK <input type="checkbox"/> CONICAL <input type="checkbox"/> SQUARE |  |  |

**FRONT**  ANTI-ROLL BARS    **REAR**

Other       Other

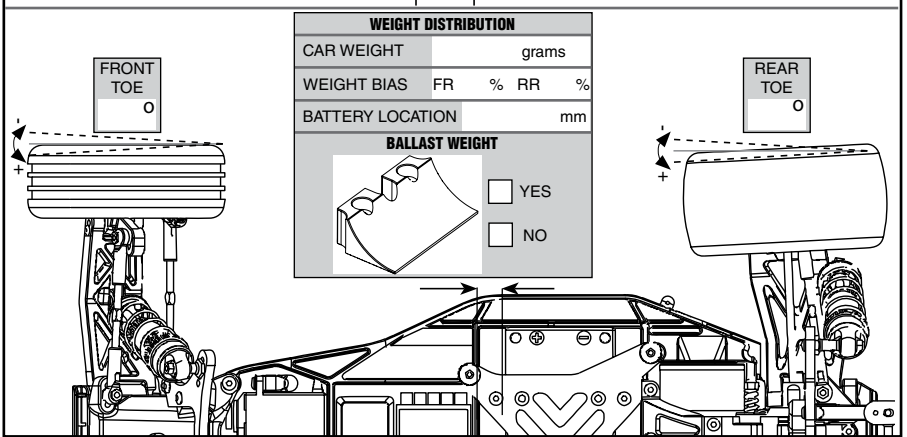
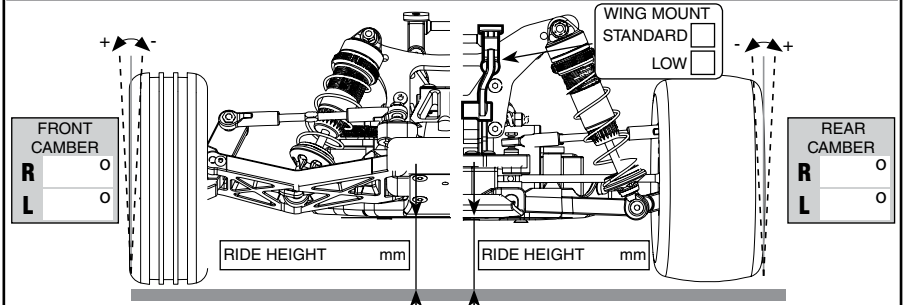
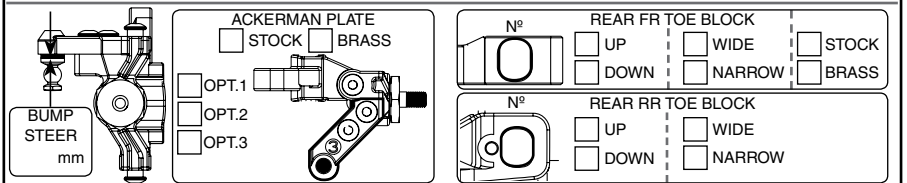
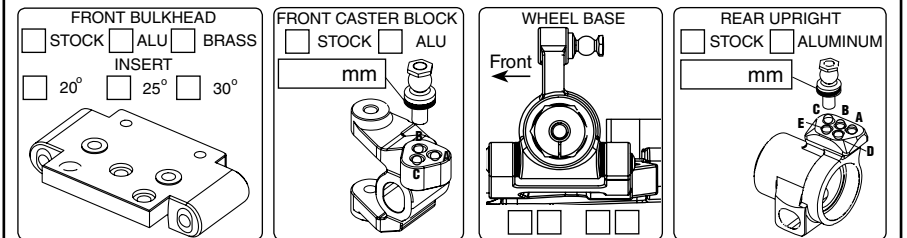
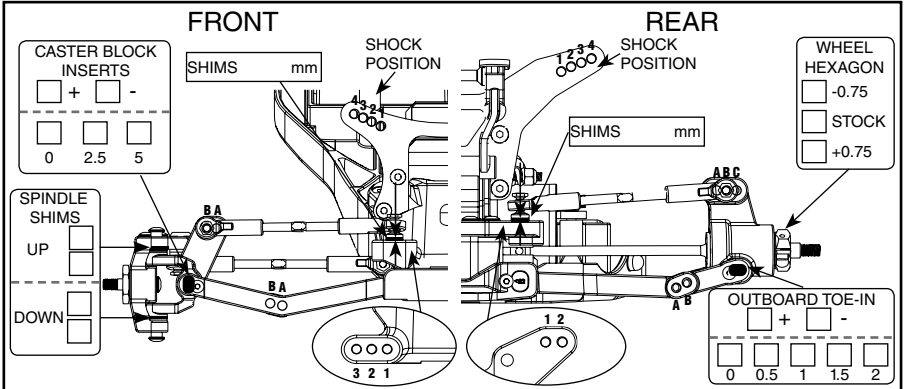
0.9   1   1.1                      1.1   1.3   1.5

**TIRES**

| FRONT | Controlled Tire <input type="checkbox"/> | REAR |
|-------|--|------|
|       | MAKE                                     |      |
|       | TYPE                                     |      |
|       | COMPOUND                                 |      |
|       | INSERT TYPE                              |      |
|       | WHEELS                                   |      |
|       | ADDITIVE                                 |      |

**AERODYNAMIC CONFIGURATION**

|                        |  |      |
|------------------------|--|------|
| <b>BODY</b>            | BRAND  | TYPE |
| <b>REAR WING</b>       | BRAND  | TYPE |
| <b>REAR WING WIDTH</b> |  |      |
| <b>REAR WING LIP</b>   | mm   |      |
| <b>REAR WING ANGLE</b> | 0 <input type="checkbox"/> 2 <input type="checkbox"/> 4 <input type="checkbox"/> 6 <input type="checkbox"/> 8 <input type="checkbox"/> |      |
| <b>FRONT WING</b>      | YES <input type="checkbox"/> NO <input type="checkbox"/>   |      |



**REMARKS**