

SET UP



RACE DATE TRACK

DRIVER TRACK TEMP AIR TEMP

INDOOR TIGHT MEDIUM LOW BITE HIGH BITE
 OUTDOOR OPEN MED BITE _____
 SMOOTH HARD PACKED GRASS ASTRO-TURF CLAY
 ROUGH BLUE GROOVE CARPET MULTI/SURFACE _____

TRACK DESCRIPTION

REAR DIFFERENTIAL

BALL DIFFERENTIAL DIFFERENTIAL HEIGHT

GEAR DIFF cst HIGH MED LOW

GEAR RATIO

SPUR GEAR	TEETH
PINION	TEETH
FINAL DRIVE RATIO	

ELECTRONICS

BATTERY: SADDLE SHORTY

BRAND CAPACITY

MOTOR

BRAND TYPE TIMING

ESC

BRAND TYPE

SHOCK ABSORBERS

	FRONT	REAR
OIL	cst	cst
SPRING		
LIMITERS (2)	mm	mm
LENGTH (3)	mm	mm
REBOUND (4)	mm	mm
BLADDER / SEAL (5)	<input type="checkbox"/> BLADDER <input type="checkbox"/> BLADDER <input type="checkbox"/> SEAL <input type="checkbox"/> SEAL	<input type="checkbox"/> BLADDER <input type="checkbox"/> BLADDER <input type="checkbox"/> SEAL <input type="checkbox"/> SEAL
SPRING BUCKET	<input type="checkbox"/> SHORT <input type="checkbox"/> SHORT <input type="checkbox"/> LONG <input type="checkbox"/> LONG	<input type="checkbox"/> SHORT <input type="checkbox"/> SHORT <input type="checkbox"/> LONG <input type="checkbox"/> LONG
PISTONS (1)	N° OF HOLES	
	DIAMETER	mm
TYPE		
<input type="checkbox"/> STOCK <input type="checkbox"/> CONICAL <input type="checkbox"/> SQUARE		

FRONT ANTI-ROLL BARS **REAR**

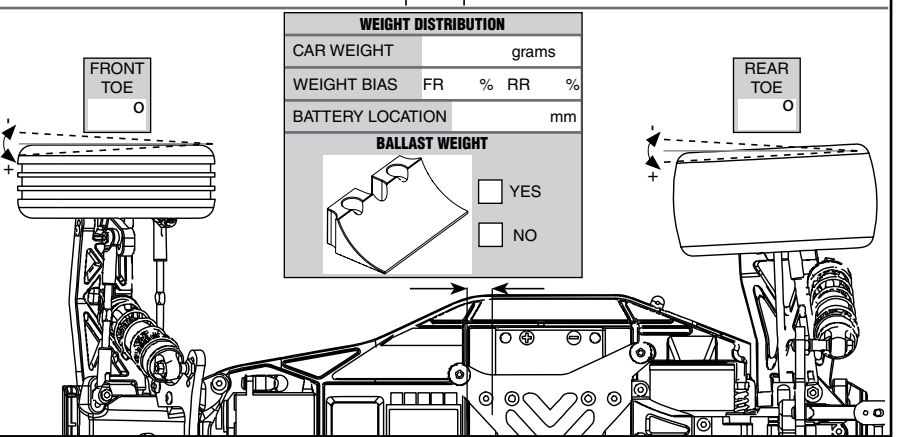
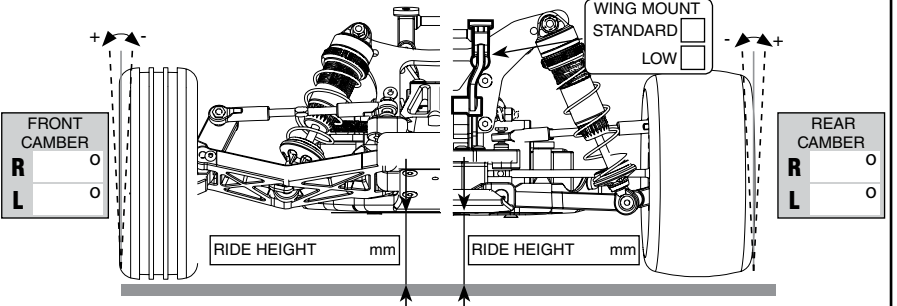
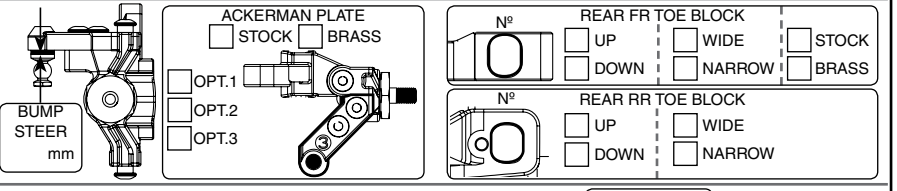
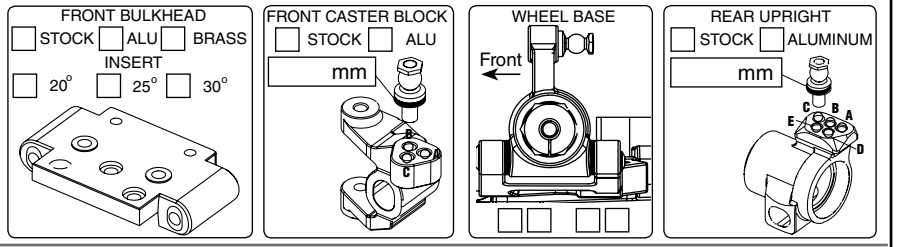
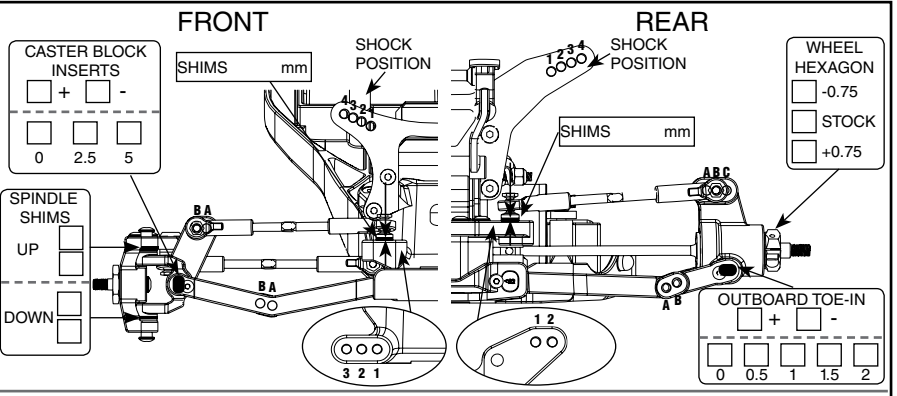
0.9 1 1.1 Other 1.1 1.3 1.5 Other

TIRES

FRONT	Controlled Tire <input type="checkbox"/>	REAR
	MAKE	
	TYPE	
	COMPOUND	
	INSERT TYPE	
	WHEELS	
	ADDITIVE	

AERODYNAMIC CONFIGURATION

BODY	BRAND	TYPE
REAR WING	BRAND	TYPE
REAR WING WIDTH		
REAR WING LIP	mm	
REAR WING ANGLE	0 <input type="checkbox"/> 2 <input type="checkbox"/> 4 <input type="checkbox"/> 6 <input type="checkbox"/> 8 <input type="checkbox"/>	
FRONT WING	YES <input type="checkbox"/> NO <input type="checkbox"/>	



REMARKS