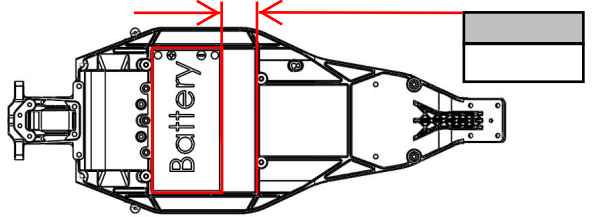
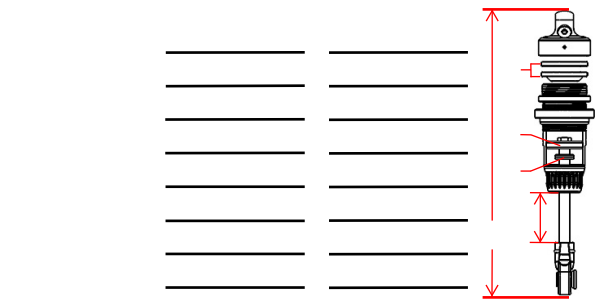
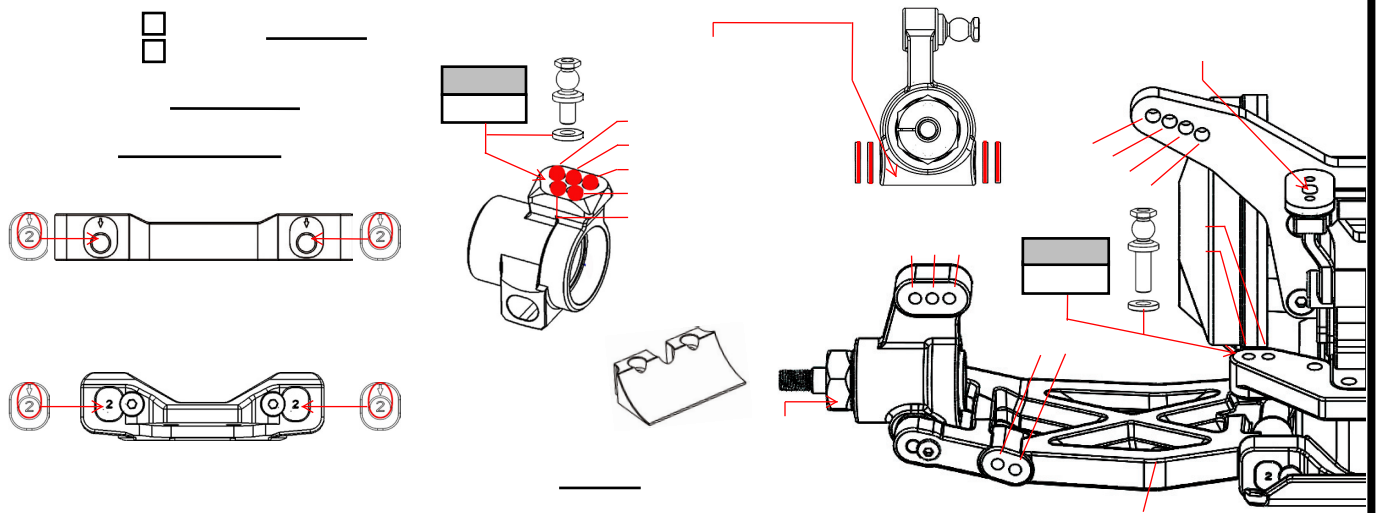
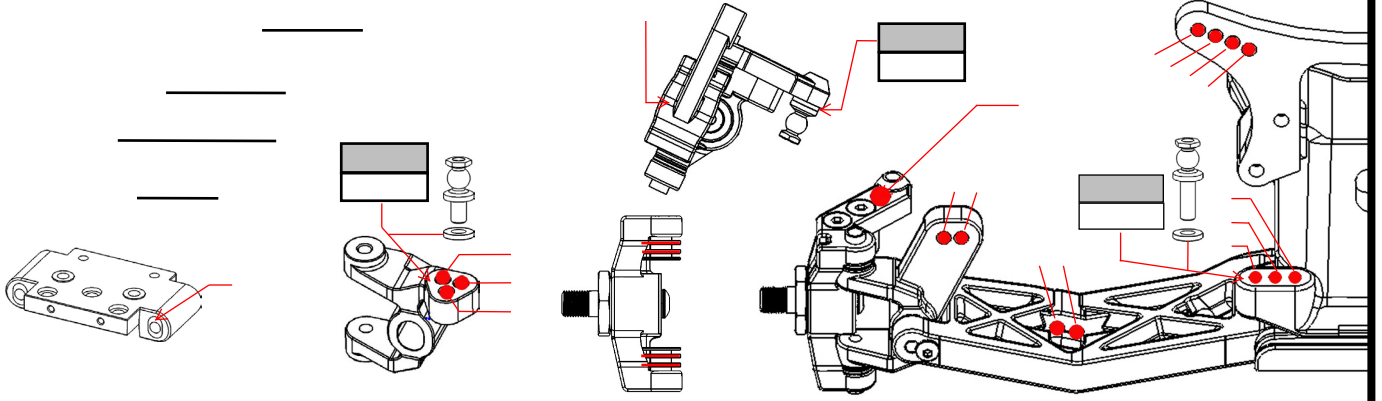


SPYDER SRX2

_____	_____
_____	_____
_____	_____



_____	_____
_____	_____
_____	_____

_____	_____
_____	_____
_____	_____

_____	_____
_____	_____
_____	_____

_____	_____
_____	_____
_____	_____