

# SET UP



RACE **Reedy 2015** DATE **25.01.2015** TRACK **OCRC**  
 DRIVER **Joe Sorwell** TRACK TEMP  AIR TEMP

INDOOR  TIGHT  MEDIUM  LOW BITE  HIGH BITE  
 OUTDOOR  OPEN   MED BITE

TRACK DESCRIPTION  
 SMOOTH  HARD PACKED  GRASS  ASTRO-TURF  CLAY  
 ROUGH  BLUE GROOVE  CARPET  MULTI/SURFACE

**REAR DIFFERENTIAL**

BALL DIFFERENTIAL DIFFERENTIAL HEIGHT  
 GEAR DIFF  cst  HIGH  MED  LOW

**GEAR RATIO**

SPUR GEAR	TEETH	<b>78</b>
PINION	TEETH	<b>23</b>
<b>FINAL DRIVE RATIO</b>		

**ELECTRONICS**

BATTERY: SADDLE  SHORTY   
 BRAND  CAPACITY   
 MOTOR  
 BRAND  TYPE **8,5** TIMING   
 ESC  
 BRAND  TYPE

**SHOCK ABSORBERS**

	FRONT	REAR
OIL	35 ASC cst	30 ASC cst
SPRING	black	pink
LIMITERS (2)	2 mm	2,0 mm
LENGTH (3)	86,5 mm	102 mm
REBOUND (4)	5 mm	5 mm
BLADDER / SEAL (5)	<input type="checkbox"/> BLADDER <input checked="" type="checkbox"/> SEAL	<input type="checkbox"/> BLADDER <input checked="" type="checkbox"/> SEAL
SPRING BUCKET	<input type="checkbox"/> SHORT <input checked="" type="checkbox"/> LONG	<input type="checkbox"/> SHORT <input type="checkbox"/> LONG
PISTONS (1)	N° OF HOLES	2
	DIAMETER	1,7 mm
<b>TYPE</b>		
<input checked="" type="checkbox"/> STOCK <input type="checkbox"/> CONICAL <input type="checkbox"/> SQUARE		

**FRONT**  ANTI-ROLL BARS **REAR**

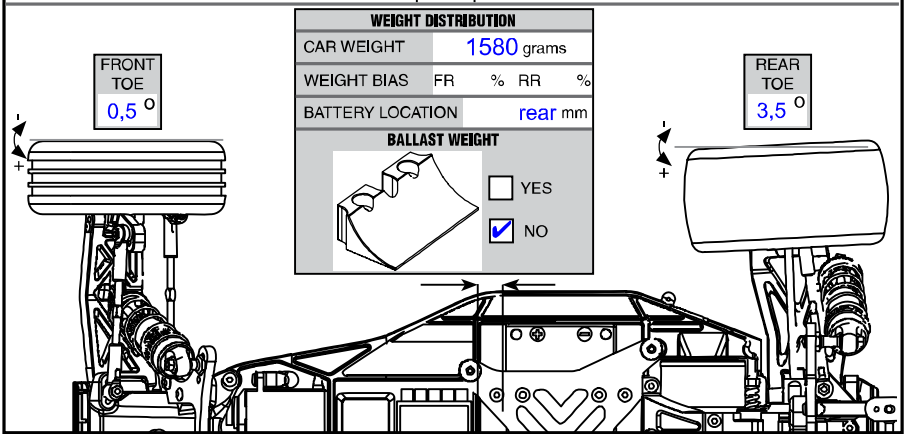
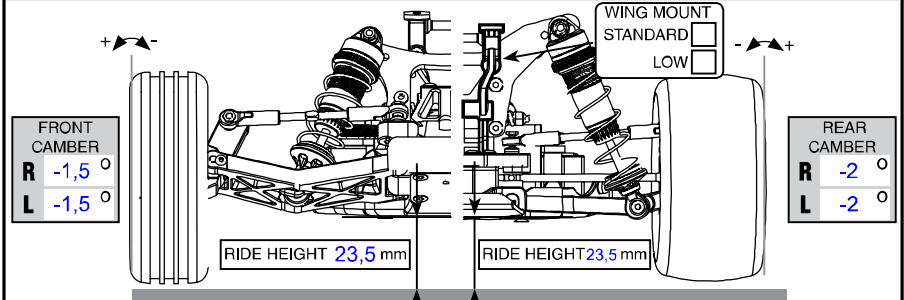
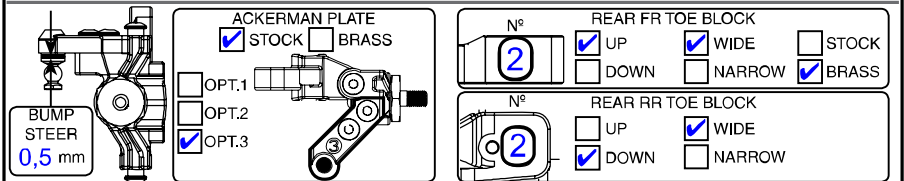
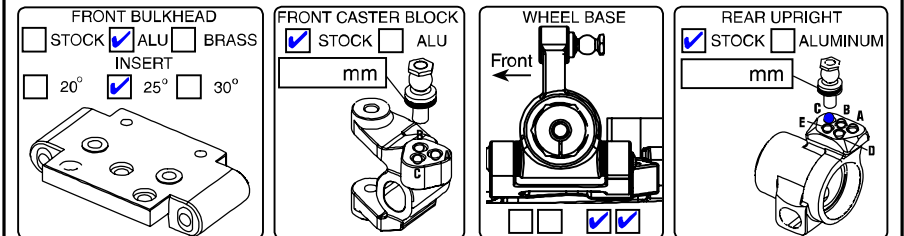
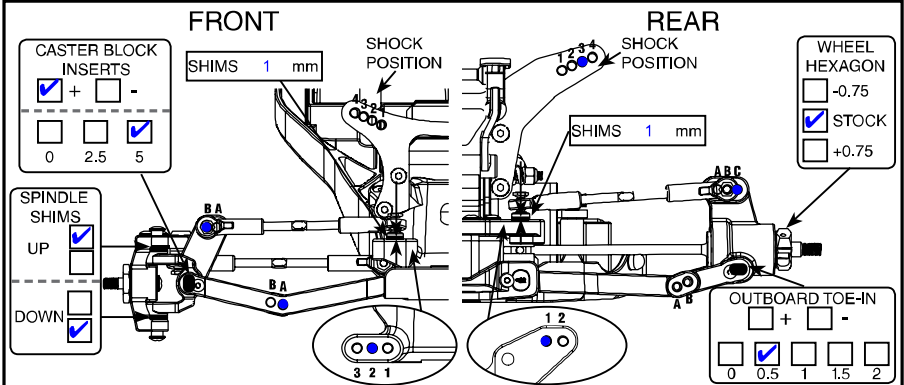
Other    Other  
 0.9 1 1.1 1.1 1.3 1.5

**TIRES**

FRONT	Controlled Tire	REAR
JC	MAKE	
dirt webs	TYPE	
gold	COMPOUND	
closed cell	INSERT TYPE	
Serpent	WHEELS	
yes	ADDITIVE	

**AERODYNAMIC CONFIGURATION**

BODY BRAND **stock** TYPE   
 REAR WING BRAND **PL** TYPE **Trifecta**  
 REAR WING WIDTH   
 REAR WING LIP  mm  
 REAR WING ANGLE 0  2  4  6  8   
 FRONT WING YES  NO



**REMARKS**