

SET UP



REAR DIFFERENTIAL

BALL DIFFERENTIAL DIFFERENTIAL HEIGHT
 GEAR DIFF cst HIGH MED LOW

GEAR RATIO

SPUR GEAR	TEETH
PINION	TEETH
FINAL DRIVE RATIO	

ELECTRONICS

BATTERY: SADDLE SHORTY
 BRAND CAPACITY
MOTOR
 BRAND TYPE TIMING
ESC
 BRAND TYPE

SHOCK ABSORBERS

		FRONT	REAR
OIL		cst	cst
SPRING			
LIMITERS (2)		mm	mm
LENGTH (3)		mm	mm
REBOUND (4)		mm	mm
BLADDER / SEAL (5)		<input type="checkbox"/> BLADDER <input type="checkbox"/> BLADDER <input type="checkbox"/> SEAL <input type="checkbox"/> SEAL	<input type="checkbox"/> BLADDER <input type="checkbox"/> BLADDER <input type="checkbox"/> SEAL <input type="checkbox"/> SEAL
SPRING BUCKET		<input type="checkbox"/> SHORT <input type="checkbox"/> SHORT <input type="checkbox"/> LONG <input type="checkbox"/> LONG	<input type="checkbox"/> SHORT <input type="checkbox"/> SHORT <input type="checkbox"/> LONG <input type="checkbox"/> LONG
PISTONS (1)	N° OF HOLES		
	DIAMETER	mm	mm
		TYPE	
		<input type="checkbox"/> STOCK <input type="checkbox"/> CONICAL <input type="checkbox"/> SQUARE	

FRONT ANTI-ROLL BARS **REAR**
 0.9 1 1.1 Other 1.1 1.3 1.5 Other

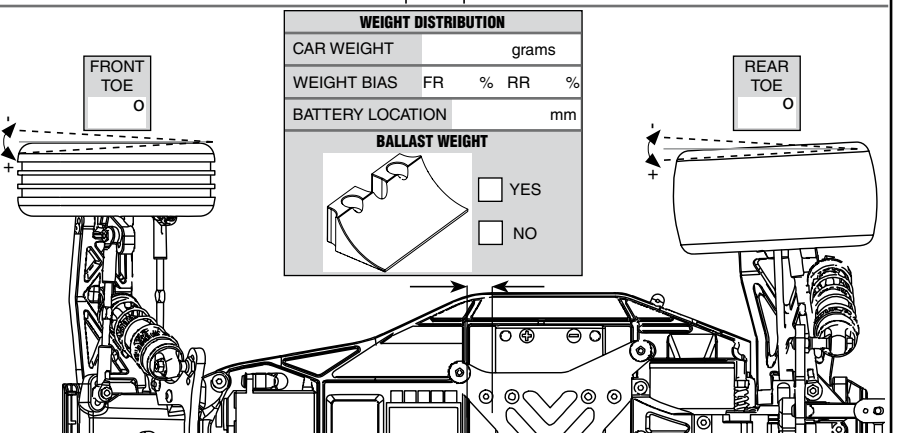
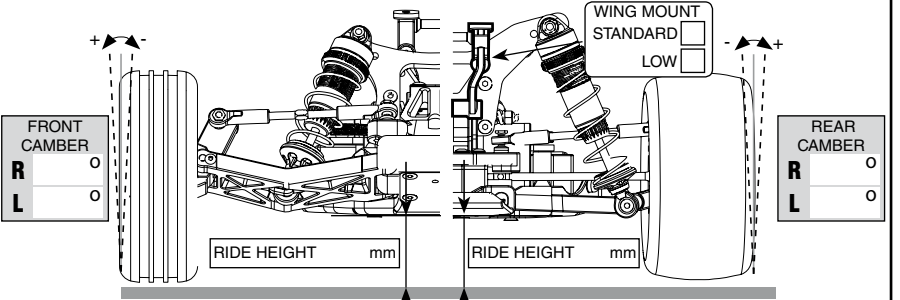
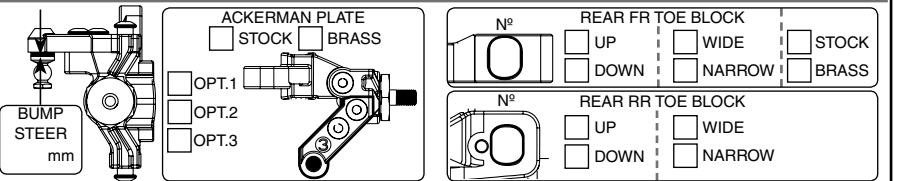
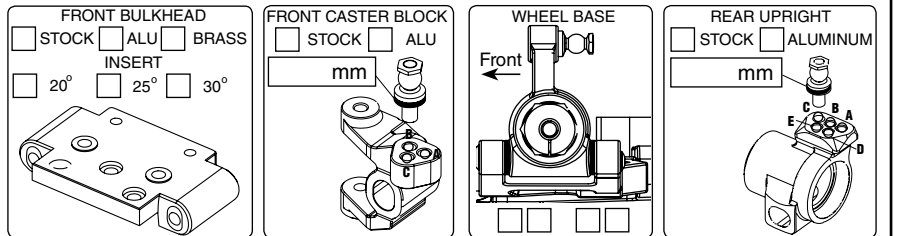
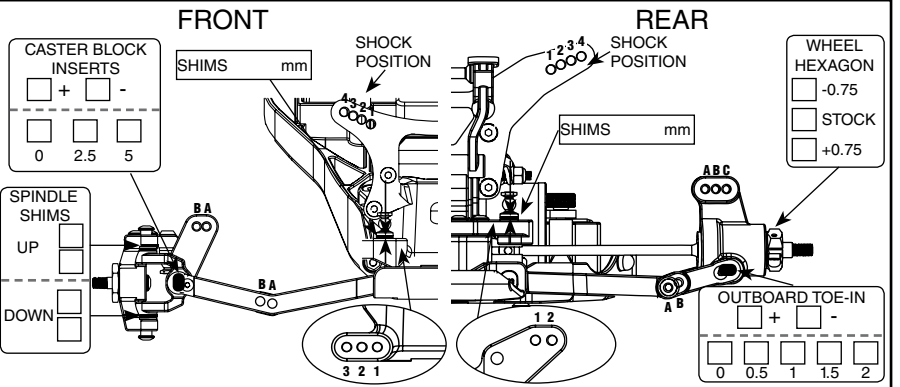
TIRES

FRONT	Controlled Tire <input type="checkbox"/>	REAR
	MAKE	
	TYPE	
	COMPOUND	
	INSERT TYPE	
	WHEELS	
	ADDITIVE	

AERODYNAMIC CONFIGURATION

BODY	BRAND	TYPE
REAR WING	BRAND	TYPE
REAR WING WIDTH		
REAR WING LIP	mm	
REAR WING ANGLE	0 <input type="checkbox"/> 2 <input type="checkbox"/> 4 <input type="checkbox"/> 6 <input type="checkbox"/> 8 <input type="checkbox"/>	
FRONT WING	YES <input type="checkbox"/> NO <input type="checkbox"/>	

RACE DATE TRACK
 DRIVER TRACK TEMP AIR TEMP
 INDOOR TIGHT MEDIUM LOW BITE HIGH BITE
 OUTDOOR OPEN MED BITE
TRACK DESCRIPTION
 SMOOTH HARD PACKED GRASS ASTRO-TURF CLAY
 ROUGH BLUE GROOVE CARPET MULTI/SURFACE



REMARKS

REMARKS