

Race **BRCA Regional** Date **29/05/16** Track **SRCC**

Driver **Felix Rigby** Track Temp Air Temp

Track Description Indoor Tight Medium Low Bite High Bite

Outdoor Open Medium Bite

Dry Smooth Hard Packed Grass Astroturf Clay Dirt

Wet Rough Blue Groove Carpet Multisurface

Differential

Ball Differential Height High Med Low

Gear **10k** cst High Med Low

Gear Ratio

Spur Gear **78**

Pinion **25**

Final Drive Ratio

Electronics

Battery **Team Orion Carbon Pro 4500 shorty**

Motor **Vampire AB+ V2 6.5** Timing **0**

ESC **Vampire SR1+**

ESC Setting **Blinky**

Radio **Sanwa**

Receiver **Sanwa**

Shock Absorbers

	Front	Rear
Oil	450 cst	400 cst
Spring	Yatabe Yellow	Yatabe Green
Limiters (2)	1 mm	4 mm
Length (3)	<input type="text"/> mm	<input type="text"/> mm
Rebound (4)	0 mm	0 mm
Bladder / Seal (5)	<input type="checkbox"/> Bladder <input checked="" type="checkbox"/> Seal	<input type="checkbox"/> Bladder <input checked="" type="checkbox"/> Seal 2
Spring Cup	<input type="checkbox"/> Short <input checked="" type="checkbox"/> Long	<input checked="" type="checkbox"/> Short <input type="checkbox"/> Long
Pistons (1)	# Holes 2	2
	Diameter 1.7 mm	1.6 mm
	Front <input checked="" type="checkbox"/> Stock <input type="checkbox"/> Conical <input type="checkbox"/> Δ <input type="checkbox"/> V <input type="checkbox"/> Square	Rear <input checked="" type="checkbox"/> Stock <input type="checkbox"/> Conical <input type="checkbox"/> Δ <input type="checkbox"/> V <input type="checkbox"/> Square

Anti-Roll Bar

Front	Other	Rear	Other
<input type="checkbox"/>	<input type="checkbox"/>	<input type="checkbox"/>	<input type="checkbox"/>
0.9	1	1.1	1.1
			1.3
			1.5

Tires

Front	Rear
Schumacher	Schumacher
LP Cut Stagger	Mini Spike 2
Yellow	Yellow
None	Ballistic blue
Serpent	Serpent

Aerodynamics

Body **Serpent**

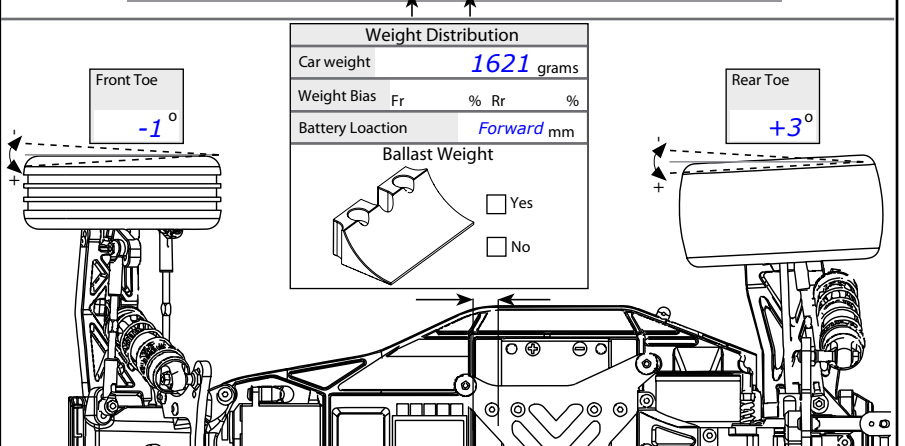
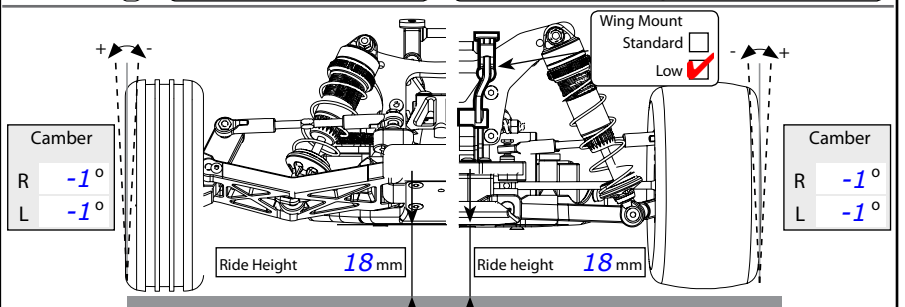
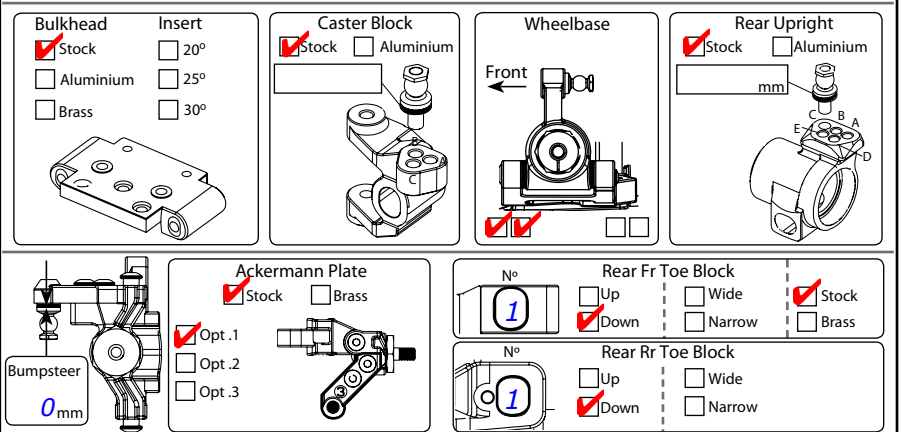
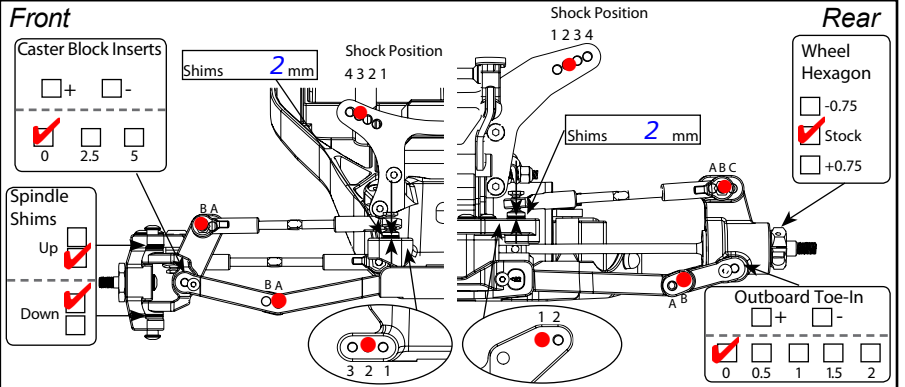
Rear Wing **RudeBits R1**

Rear Wing Width **6.5**

Rear Wing Lip **4** mm

Rear Wing Angle 0 2 4 6 8

Front Wing No Yes **Team Azarashi small**



Comments

60g stick-on weights by servo, 70g RudeBits under speedo weight, 25g LiPo weight, cut chassis brace

Editable by Arn0 at PetitRC.com