

Race Date Track

Driver Track Temp Air Temp

Track Description Indoor Tight Medium Low Bite High Bite
 Outdoor Open Medium Bite

Dry Smooth Hard Packed Grass AstroTurf Clay Dirt
 Wet Rough Blue Groove Carpet Multisurface

Differential

Ball Differential Height
 Gear cst High Med Low

Gear Ratio

Spur Gear
 Pinion
 Final Drive Ratio

Electronics

Battery
 Motor Timing
 ESC
 ESC Setting
 Radio
 Receiver

Shock Absorbers

	Front	Rear
Oil	<input type="text" value="450"/> cst	<input type="text" value="350"/> cst
Spring	<input type="text" value="Blue"/>	<input type="text" value="Orange Astro"/>
Limiters (2)	<input type="text" value="2"/> mm	<input type="text" value="2"/> mm
Length (3)	<input type="text" value="3"/> mm	<input type="text" value="3"/> mm
Rebound (4)	<input type="text" value="3"/> mm	<input type="text" value="3"/> mm
Bladder / Seal (5)	<input type="checkbox"/> Bladder <input checked="" type="checkbox"/> Seal	<input type="checkbox"/> Bladder <input checked="" type="checkbox"/> Seal
Spring Cup	<input type="checkbox"/> Short <input checked="" type="checkbox"/> Long	<input checked="" type="checkbox"/> Short <input type="checkbox"/> Long
Pistons (1)	# Holes <input type="text" value="2"/>	<input type="text" value="2"/>
	Diameter <input type="text" value="1.7"/> mm	<input type="text" value="1.7"/> mm
	Front <input checked="" type="checkbox"/> Stock <input type="checkbox"/> Conical <input type="checkbox"/> A <input type="checkbox"/> V <input type="checkbox"/> Square Rear <input checked="" type="checkbox"/> Stock <input type="checkbox"/> Conical <input type="checkbox"/> A <input type="checkbox"/> V <input type="checkbox"/> Square	

Anti-Roll Bar

Front Other 1.1
 Rear Other 1.3 1.5

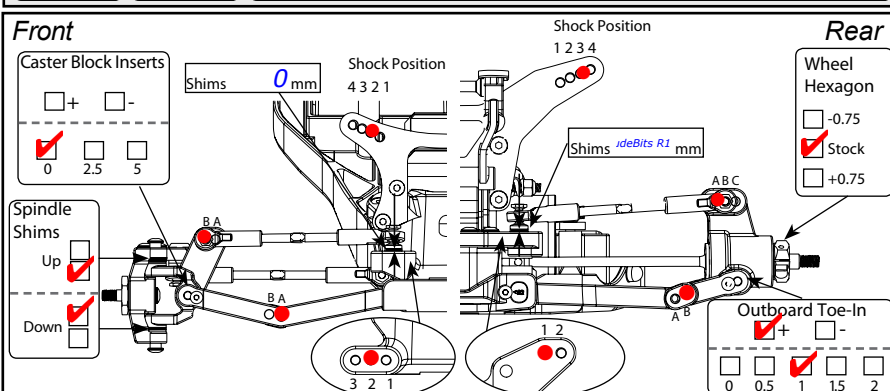
Tires

Front Other 1.1
 Rear Other 1.3 1.5

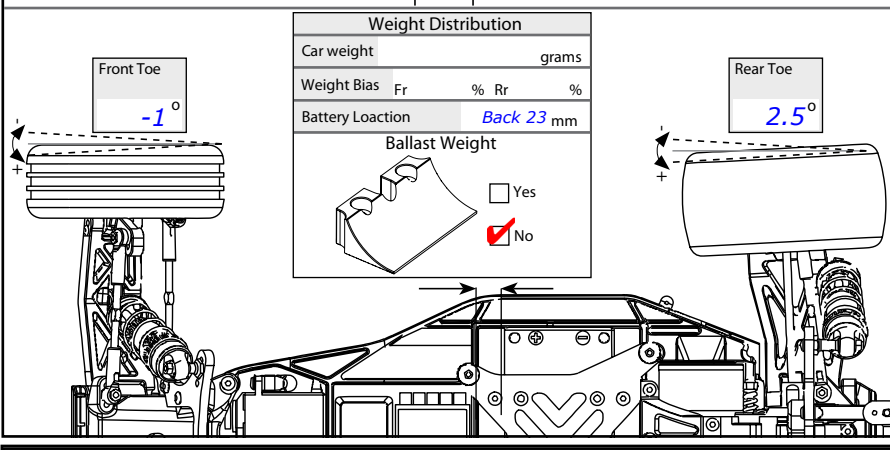
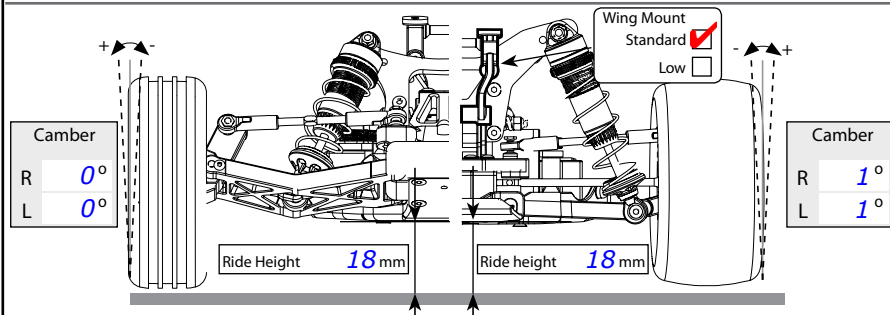
Front	Tires	Rear
<input type="checkbox"/> Controlled Tire <input type="checkbox"/>	Brand	<input type="text" value="Schumacher"/>
<input type="checkbox"/> Schumacher	Type	<input type="text" value="Mini Pin 2"/>
<input type="checkbox"/> LP Cut Stagger	Compound	<input type="text" value="Yellow"/>
<input type="checkbox"/> Yellow	Insert	<input type="text" value="Med"/>
<input type="checkbox"/> None	Wheel	<input type="text" value="JConcepts Mono"/>
<input type="checkbox"/> JConcepts Mono	Additive	
	Comments	

Aerodynamics

Body
 Rear Wing
 Rear Wing Width
 Rear Wing Lip mm
 Rear Wing Angle 0 2 4 6 8
 Front Wing No Yes



Bulkhead <input checked="" type="checkbox"/> Stock <input type="checkbox"/> Aluminium <input type="checkbox"/> Brass <input type="checkbox"/> 20° <input checked="" type="checkbox"/> 25° <input type="checkbox"/> 30°	Caster Block <input checked="" type="checkbox"/> Stock <input type="checkbox"/> Aluminium	Wheelbase Front <input checked="" type="checkbox"/> <input type="checkbox"/>	Rear Upright <input checked="" type="checkbox"/> Stock <input type="checkbox"/> Aluminium <input type="text" value="mm"/>
Ackermann Plate <input checked="" type="checkbox"/> Stock <input type="checkbox"/> Brass <input type="checkbox"/> Opt.1 <input type="checkbox"/> Opt.2 <input checked="" type="checkbox"/> Opt.3	Rear Fr Toe Block <input checked="" type="checkbox"/> Up <input type="checkbox"/> Down <input checked="" type="checkbox"/> Wide <input type="checkbox"/> Narrow <input checked="" type="checkbox"/> Stock <input type="checkbox"/> Brass	Rear Rr Toe Block <input checked="" type="checkbox"/> Up <input type="checkbox"/> Down <input checked="" type="checkbox"/> Wide <input type="checkbox"/> Narrow	



Comments

RudeBits Acetal Idlers, Team Azarashi Great front wing, scrubbed tyres front and rear, 60g by servo/ESC, SC steering blocks

Editable by Arn0 at PetitRC.com