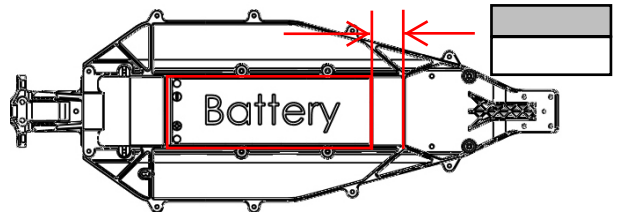
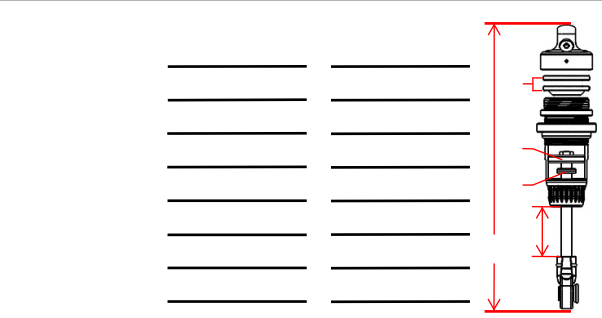
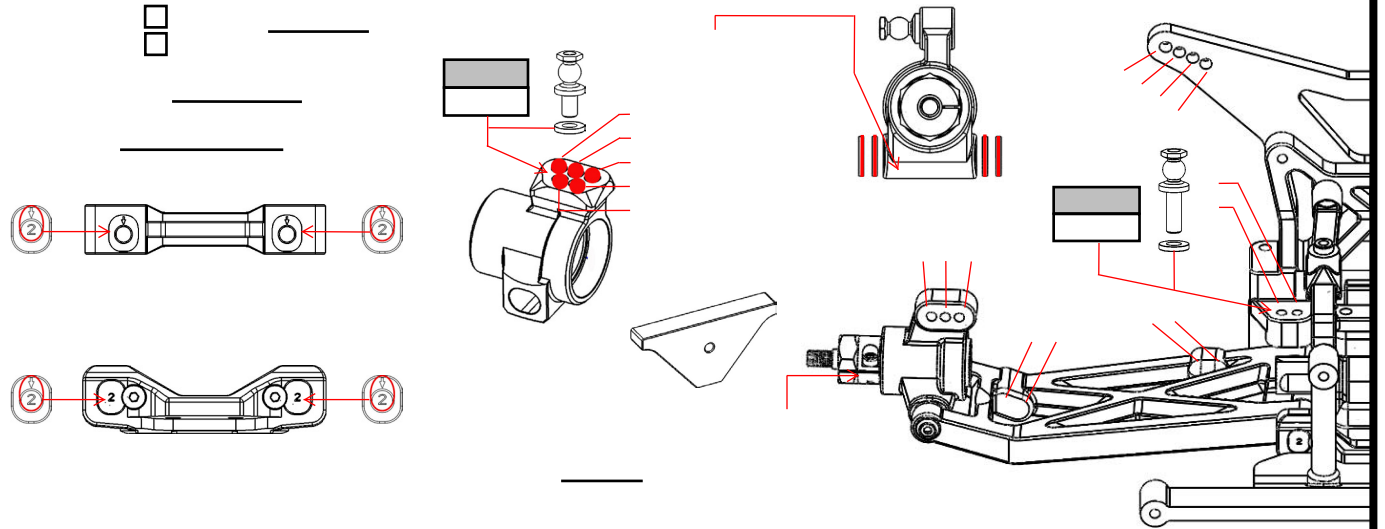
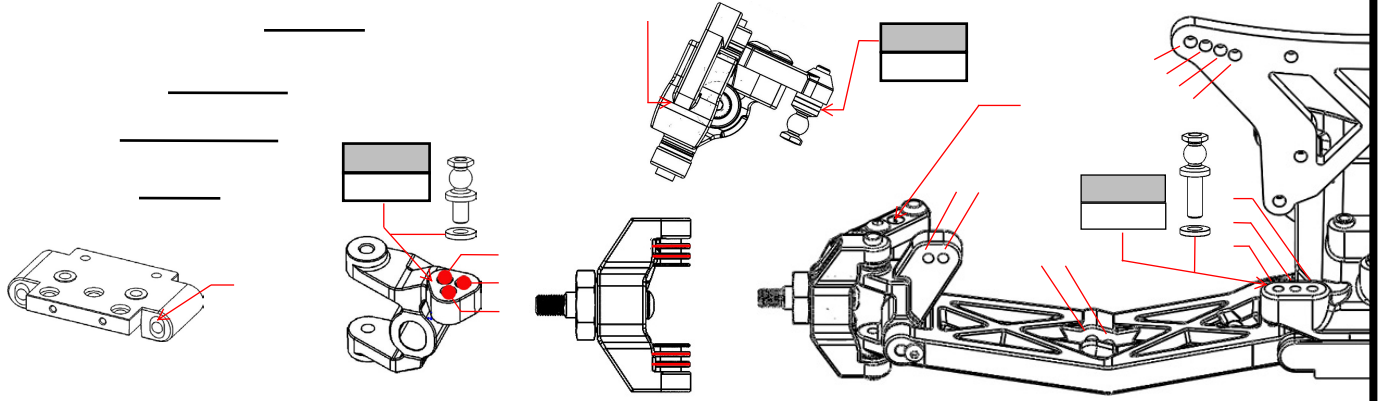


SPYDER SRX2SC

_____	_____
_____	_____
_____	_____



_____	_____	_____
_____	_____	_____
_____	_____	_____

_____	_____	_____
_____	_____	_____
_____	_____	_____