



2013 COBBLE

SET UP

Alberto Garcia - Spain nationals - 13th May 2013

TRACK SIZE	<input type="checkbox"/> OPEN	<input checked="" type="checkbox"/> MEDIUM	<input type="checkbox"/> TIGHT
TRACK TRACTION	<input type="checkbox"/> HIGH	<input checked="" type="checkbox"/> MEDIUM	<input checked="" type="checkbox"/> LOW
TRACK SURFACE	<input type="checkbox"/> SMOOTH	<input checked="" type="checkbox"/> MEDIUM	<input checked="" type="checkbox"/> BUMPY
TRACK TYPE	<input checked="" type="checkbox"/> HARD PACKED	<input checked="" type="checkbox"/> SOFT DIRT	<input type="checkbox"/> CLAY
	<input type="checkbox"/> BLUE GROOVE	<input type="checkbox"/> ASTRO TURF	<input type="checkbox"/> GRASS
TRACK CONDITION	<input type="checkbox"/> DRY	<input checked="" type="checkbox"/> DUSTY	<input type="checkbox"/> WETT

TEMP. F° / °C	
AIR	17 TRACK
LAPS	
BEST LAP TIME	31,8
QUALI RESULT	TQ
RACE RESULT	1st

DIFFERENTIAL OIL

FRONT	CENTER	REAR
5000 CST	7000 CST	3000 CST

TRANSMISSION SET UP

PINION	15 T	SPUR GEAR	1 T
FINAL DRIVE RATIO		ROLLOUT	mm
MOTOR		TIMING	
ROTOR		ARMATURE	
ESC		BATTERIES	
BRUSHLESS	PROGRAM	PUNCH	INITIAL BRAKE
			AUTO BRAKE

BODY - WING

BODY	Serpent
WING	

SHOCKS

FRONT	SPRING	REAR
<input type="checkbox"/>	Orange	<input type="checkbox"/>
<input type="checkbox"/>	Red	<input type="checkbox"/>
<input type="checkbox"/>	Pink	<input type="checkbox"/>
<input type="checkbox"/>	Blue	<input type="checkbox"/>
<input checked="" type="checkbox"/>	Purple	<input type="checkbox"/>
<input type="checkbox"/>	Green	<input checked="" type="checkbox"/>
<input type="checkbox"/>	Other	<input type="checkbox"/>
400	OIL/CST	300
25	REBOUND %	0

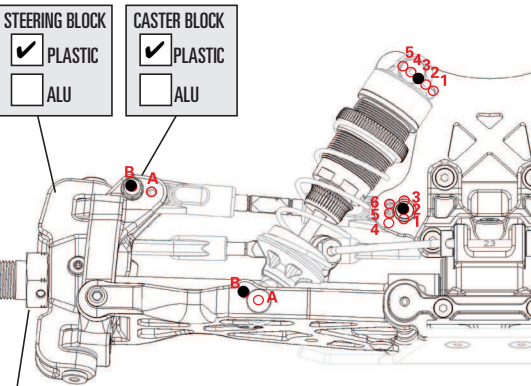
OPEN **PISTON** CLOSED

HOLES SIZE	
<input type="checkbox"/>	1.1MM
<input type="checkbox"/>	1.2MM
<input checked="" type="checkbox"/>	1.3MM
<input type="checkbox"/>	1.4 MM
<input type="checkbox"/>	OTHER

TYRES

BRAND	
TYPE	
INSERT	
WHEELS	
STOCK <input type="checkbox"/> BRAND <input type="checkbox"/>	TYPE

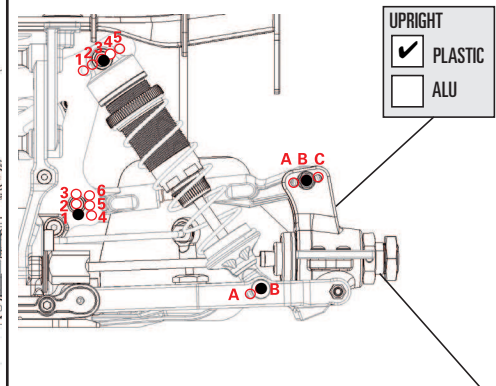
COMMENTS



STEERING BLOCK PLASTIC ALU

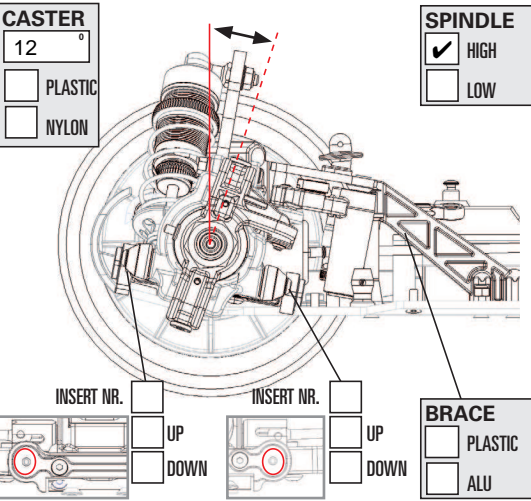
CASTER BLOCK PLASTIC ALU

HEX ADAPTER 0mm -2 mm



UPRIGHT PLASTIC ALU

HEX ADAPTER -2mm



CASTER 12°

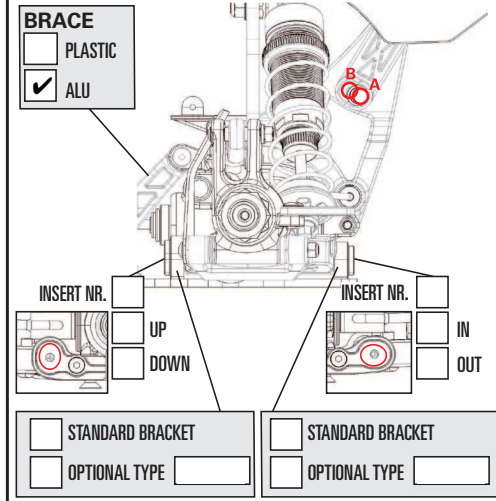
PLASTIC NYLON

SPINDLE HIGH LOW

BRACE PLASTIC ALU

INSERT NR. UP DOWN

BRACE PLASTIC ALU

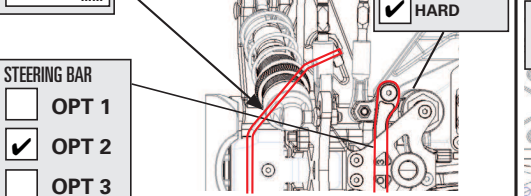


BRACE PLASTIC ALU

INSERT NR. UP DOWN

STANDARD BRACKET OPTIONAL TYPE

STANDARD BRACKET OPTIONAL TYPE



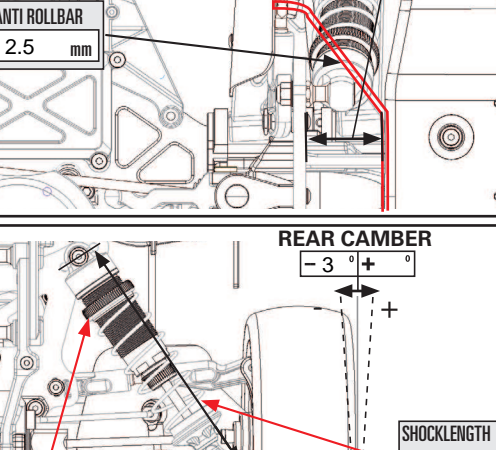
WHEELBASE SHIMS 1.25 2.5 3.75 5mm

FRONT TOE -2.5° +°

ANTI ROLLBAR 2.3 mm

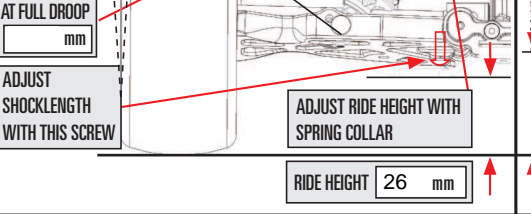
SERVO SAVER SPRING STANDARD HARD

STEERING BAR OPT 1 OPT 2 OPT 3



WING LOCATION IN mm

ANTI ROLLBAR 2.5 mm



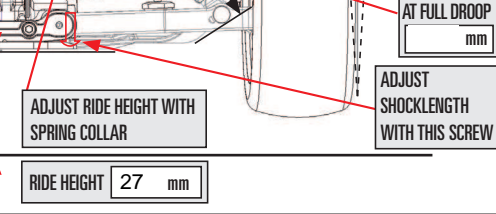
FRONT CAMBER +° -1°

SHOCKLENGTH AT FULL DROOP mm

ADJUST SHOCKLENGTH WITH THIS SCREW

ADJUST RIDE HEIGHT WITH SPRING COLLAR

RIDE HEIGHT 26 mm



REAR CAMBER -3° +°

SHOCKLENGTH AT FULL DROOP mm

ADJUST SHOCKLENGTH WITH THIS SCREW

ADJUST RIDE HEIGHT WITH SPRING COLLAR

RIDE HEIGHT 27 mm