

## DRIVER, TRACK AND RESULTS

DRIVER \_\_\_\_\_ COUNTRY \_\_\_\_\_ WEATHER AIR TEMP \_\_\_\_\_ TRACK TEMP \_\_\_\_\_  DRY  INTERMEDIATE  WET

RACE \_\_\_\_\_ DATE \_\_\_\_\_ QUALY POS. \_\_\_\_\_ STARTING POS. \_\_\_\_\_ FINAL POS. \_\_\_\_\_ FASTEST LAP \_\_\_\_\_

TRACK \_\_\_\_\_ TYPE  INDOOR  OUTDOOR STYLE  TIGHT  MEDIUM  OPEN

SURFACE GRIP  LOW  MEDIUM  HIGH  CONDITION  SMOOTH  ROUGH

TYPE  HARD PACKED  CLAY  CARPET  MULTI/SURFACE  GRASS  BLUE GROOVE  DIRT  ASTRO-TURF

FRONT SHOCK ABSORBERS		REAR	
cst	OIL		cst
SPRINGS			
mm	REBOUND		mm
mm	LIMITERS		mm
N° HOLES	∅ mm	PISTONS	N° HOLES ∅ mm
PISTONS TYPE <input type="checkbox"/> STOCK <input type="checkbox"/> CONICAL <input type="checkbox"/> SQUARE			
<input type="checkbox"/> SHORT <input type="checkbox"/> LONG SPRING BUCKETS <input type="checkbox"/> SHORT <input type="checkbox"/> LONG			
<input type="checkbox"/> BLADDER SEAL		<input type="checkbox"/> BLADDER	
<input type="checkbox"/> EMULSION TYPE		<input type="checkbox"/> EMULSION	

FRONT ANTI-ROLL BARS		REAR	
<input type="checkbox"/>	<input type="checkbox"/>	<input type="checkbox"/>	<input type="checkbox"/>
1.0	1.2	1.4	1.6
1.8	1.0	1.2	1.4
1.6	1.8		

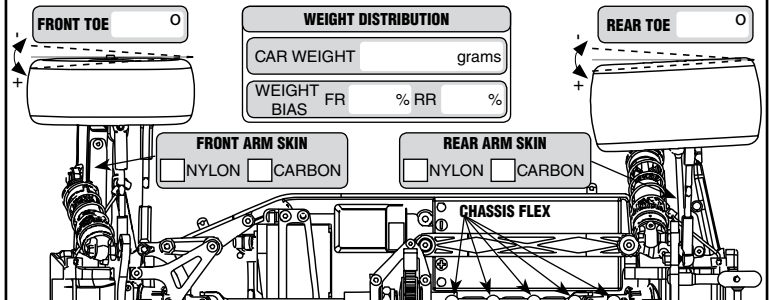
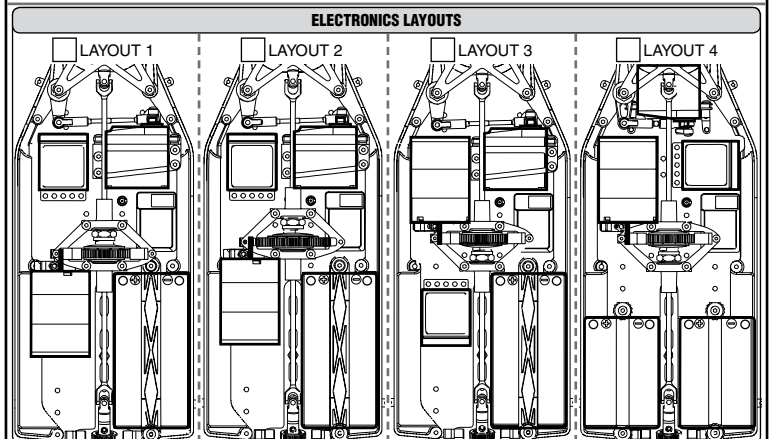
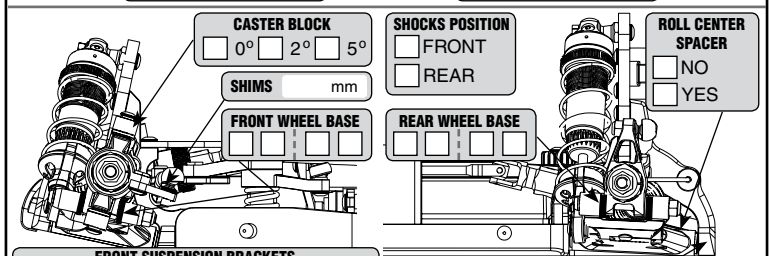
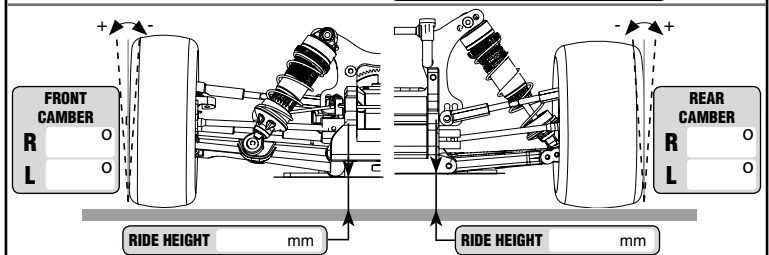
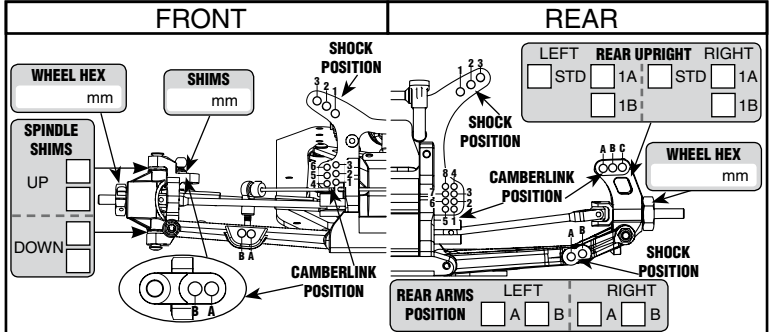
TRANSMISSION			
FRONT DIFF	<input type="checkbox"/> SLIPPER	REAR DIFF	
cst	<input type="checkbox"/> CENTER DIFF	cst	cst

GEARING			
PINION	Teeth	SPUR GEAR	Teeth

ELECTRONICS	
<b>BATTERY</b>	
BRAND	CAPACITY mAh
<b>MOTOR</b>	
BRAND	TYPE
	TIMING
<b>ESC</b>	
BRAND	TYPE

AERODYNAMIC CONFIGURATION	
BODY BRAND	TYPE
REAR WING BRAND	TYPE
REAR WING WIDTH	REAR WING LIP mm
FRONT WING <input type="checkbox"/> YES <input type="checkbox"/> NO TYPE	

FRONT TIRES		REAR	
Controlled Tire <input type="checkbox"/>			
MAKE			
TYPE			
COMPOUND			
INSERTS			
WHEELS			
ADDITIVE			



REMARKS