

DRIVER, TRACK AND RESULTS

DRIVER COUNTRY WEATHER AIR TEMP TRACK TEMP DRY INTERMEDIATE WET

RACE DATE QUALY POS. STARTING POS. FINAL POS. FASTEST LAP

TRACK TYPE INDOOR OUTDOOR STYLE TIGHT MEDIUM OPEN

SURFACE GRIP LOW MEDIUM HIGH CONDITION SMOOTH ROUGH

TYPE HARD PACKED CLAY CARPET MULTI/SURFACE GRASS BLUE GROOVE DIRT ASTRO-TURF

FRONT SHOCK ABSORBERS		REAR	
<input type="text"/> cst	<input type="text"/> OIL	<input type="text"/> cst	<input type="text"/> cst
<input type="text"/> SPRINGS			
<input type="text"/> mm	<input type="text"/> REBOUND	<input type="text"/> mm	<input type="text"/> mm
<input type="text"/> mm	<input type="text"/> LIMITERS	<input type="text"/> mm	<input type="text"/> mm
N° HOLES <input type="text"/>	<input type="text"/> mm	PISTONS N° HOLES <input type="text"/>	<input type="text"/> mm
PISTONS TYPE <input type="checkbox"/> STOCK <input type="checkbox"/> CONICAL <input type="checkbox"/> SQUARE			
<input type="checkbox"/> SHORT <input type="checkbox"/> LONG SPRING BUCKETS <input type="checkbox"/> SHORT <input type="checkbox"/> LONG			
<input type="checkbox"/> BLADDER	<input type="checkbox"/> SEAL	<input type="checkbox"/> BLADDER	<input type="checkbox"/> SEAL
<input type="checkbox"/> EMULSION	<input type="checkbox"/> TYPE	<input type="checkbox"/> EMULSION	<input type="checkbox"/> TYPE

FRONT ANTI-ROLL BARS		REAR	
<input type="checkbox"/>	<input type="checkbox"/>	<input type="checkbox"/>	<input type="checkbox"/>
<input type="checkbox"/>	<input type="checkbox"/>	<input type="checkbox"/>	<input type="checkbox"/>
1.0	1.2	1.4	1.6
1.8	1.0	1.2	1.4
1.6	1.8	1.0	1.2
1.4	1.6	1.8	1.0

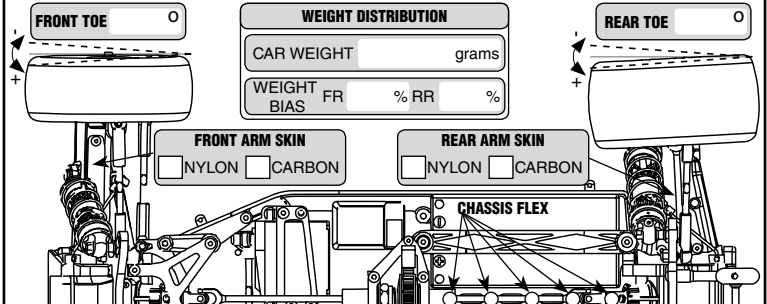
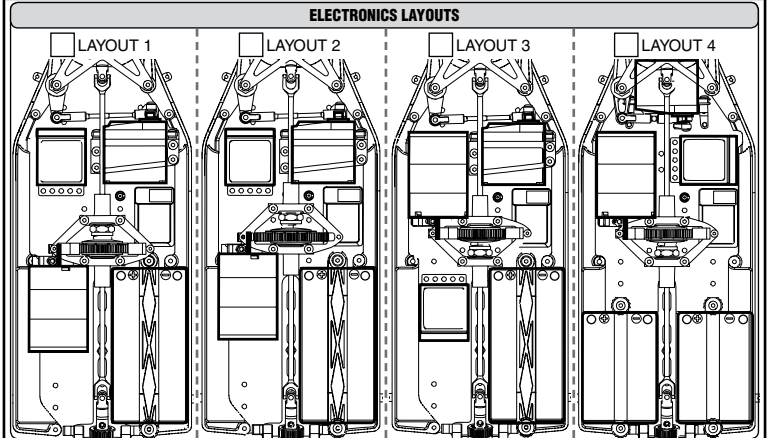
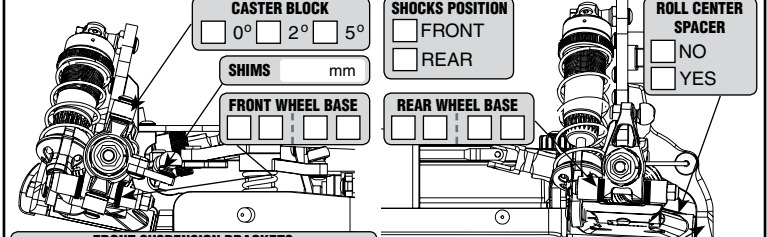
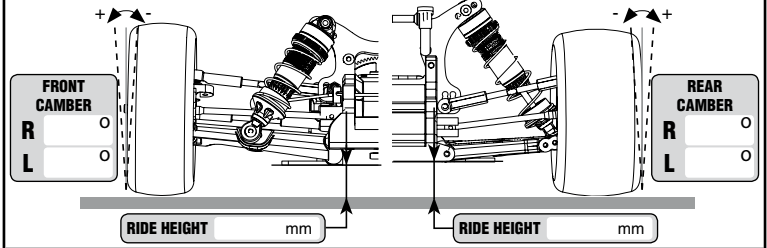
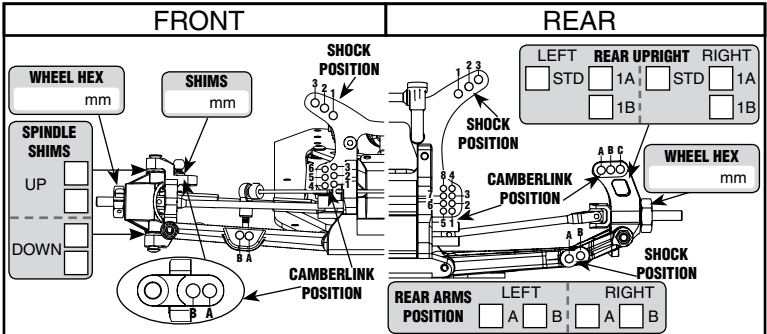
TRANSMISSION			
<input type="text"/> FRONT DIFF	<input type="checkbox"/> SLIPPER	<input type="text"/> REAR DIFF	<input type="checkbox"/> CENTER DIFF
<input type="text"/> cst	<input type="checkbox"/>	<input type="text"/> cst	<input type="checkbox"/>

GEARING			
<input type="text"/> PINION	<input type="text"/> Teeth	<input type="text"/> SPUR GEAR	<input type="text"/> Teeth

ELECTRONICS	
BATTERY	
<input type="text"/> BRAND	<input type="text"/> CAPACITY mAh
MOTOR	
<input type="text"/> BRAND	<input type="text"/> TYPE <input type="text"/> TIMING <input type="text"/>
ESC	
<input type="text"/> BRAND	<input type="text"/> TYPE <input type="text"/>

AERODYNAMIC CONFIGURATION	
<input type="text"/> BODY BRAND	<input type="text"/> TYPE <input type="text"/>
<input type="text"/> REAR WING BRAND	<input type="text"/> TYPE <input type="text"/>
<input type="text"/> REAR WING WIDTH	<input type="text"/> REAR WING LIP mm
FRONT WING <input type="checkbox"/> YES <input type="checkbox"/> NO TYPE <input type="text"/>	

FRONT TIRES		REAR	
<input type="checkbox"/>	<input type="checkbox"/>	<input type="checkbox"/>	<input type="checkbox"/>
<input type="text"/> MAKE	<input type="text"/> TYPE	<input type="text"/> MAKE	<input type="text"/> TYPE
<input type="text"/> COMPOUND	<input type="text"/> INSERTS	<input type="text"/> COMPOUND	<input type="text"/> INSERTS
<input type="text"/> WHEELS	<input type="text"/> ADDITIVE	<input type="text"/> WHEELS	<input type="text"/> ADDITIVE



REMARKS