

DRIVER, TRACK AND RESULTS

DRIVER		COUNTRY		WEATHER		AIR TEMP	TRACK TEMP	<input type="checkbox"/> DRY	<input type="checkbox"/> INTERMEDIATE	<input type="checkbox"/> WET	
RACE		DATE		QUALY POS.		STARTING POS.		FINAL POS.		FASTEST LAP	
TRACK		TYPE		<input type="checkbox"/> INDOOR	<input type="checkbox"/> OUTDOOR	STYLE		<input type="checkbox"/> TIGHT	<input type="checkbox"/> MEDIUM	<input type="checkbox"/> OPEN	
SURFACE GRIP		<input type="checkbox"/> LOW	<input type="checkbox"/> MEDIUM	<input type="checkbox"/> HIGH	CONDITION		<input type="checkbox"/> SMOOTH	<input type="checkbox"/> ROUGH			
TYPE		<input type="checkbox"/> HARD PACKED	<input type="checkbox"/> CLAY	<input type="checkbox"/> CARPET	<input type="checkbox"/> MULTI/SURFACE	<input type="checkbox"/> GRASS	<input type="checkbox"/> BLUE GROOVE	<input type="checkbox"/> DIRT	<input type="checkbox"/> ASTRO-TURF		

FRONT	SHOCK ABSORBERS	REAR
	cst OIL	cst
	SPRINGS	
	mm REBOUND	mm
	mm LIMITERS	mm
N° HOLES	∅ mm	PISTONS N° HOLES ∅ mm
PISTONS TYPE <input type="checkbox"/> STOCK <input type="checkbox"/> CONICAL <input type="checkbox"/> SQUARE		
<input type="checkbox"/> SHORT <input type="checkbox"/> LONG SPRING BUCKETS <input type="checkbox"/> SHORT <input type="checkbox"/> LONG		
<input type="checkbox"/> BLADDER SEAL <input type="checkbox"/> BLADDER		
<input type="checkbox"/> EMULSION TYPE <input type="checkbox"/> EMULSION		

FRONT	ANTI-ROLL BARS	REAR
<input type="checkbox"/>	<input type="checkbox"/>	<input type="checkbox"/>
1.0	1.2 1.4 1.6 1.8	1.0 1.2 1.4 1.6 1.8

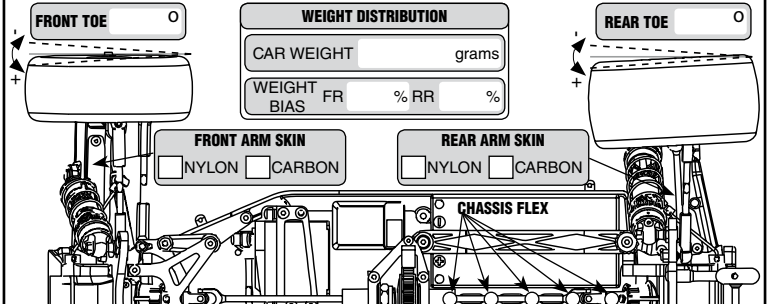
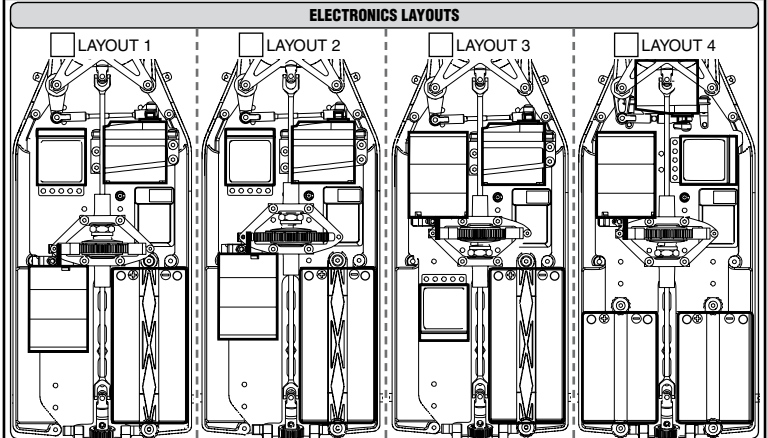
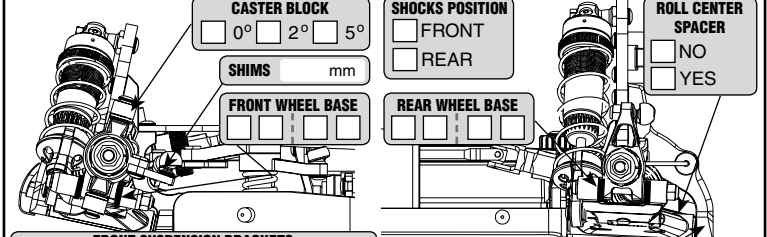
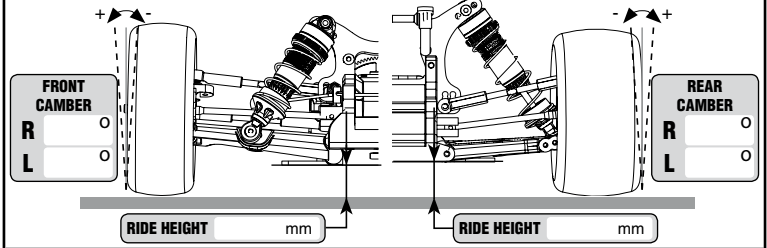
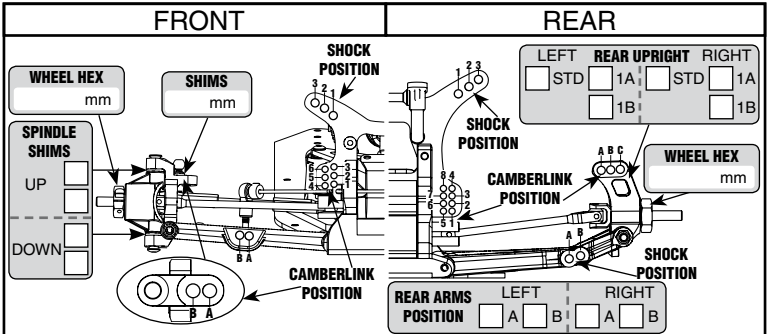
TRANSMISSION		
FRONT DIFF	<input type="checkbox"/> SLIPPER	REAR DIFF
cst	<input type="checkbox"/> CENTER DIFF	cst

GEARING			
PINION	Teeth	SPUR GEAR	Teeth

ELECTRONICS	
BATTERY	
BRAND	CAPACITY mAh
MOTOR	
BRAND	TYPE TIMING
ESC	
BRAND	TYPE

AERODYNAMIC CONFIGURATION	
BODY BRAND	TYPE
REAR WING BRAND	TYPE
REAR WING WIDTH	REAR WING LIP mm
FRONT WING <input type="checkbox"/> YES <input type="checkbox"/> NO TYPE	

FRONT TIRES	Controlled Tire <input type="checkbox"/>	REAR
MAKE		
TYPE		
COMPOUND		
INSERTS		
WHEELS		
ADDITIVE		



REMARKS	
----------------	--