

DRIVER, TRACK AND RESULTS

DRIVER COUNTRY WEATHER AIR TEMP TRACK TEMP DRY INTERMEDIATE WET

RACE DATE QUALY POS. STARTING POS. FINAL POS. FASTEST LAP

TRACK TYPE INDOOR OUTDOOR STYLE TIGHT MEDIUM OPEN

SURFACE GRIP LOW MEDIUM HIGH CONDITION SMOOTH ROUGH

TYPE HARD PACKED CLAY CARPET MULTI/SURFACE GRASS BLUE GROOVE DIRT ASTRO-TURF

FRONT SHOCK ABSORBERS		REAR	
<input type="text"/> cst	<input type="text"/> OIL	<input type="text"/> cst	<input type="text"/> cst
<input type="text"/> SPRINGS			
<input type="text"/> mm	<input type="text"/> REBOUND	<input type="text"/> mm	<input type="text"/> mm
<input type="text"/> mm	<input type="text"/> LIMITERS	<input type="text"/> mm	<input type="text"/> mm
N° HOLES <input type="text"/>	<input type="text"/> mm	PISTONS N° HOLES <input type="text"/>	<input type="text"/> mm
PISTONS TYPE <input type="checkbox"/> STOCK <input type="checkbox"/> CONICAL <input type="checkbox"/> SQUARE			
<input type="checkbox"/> SHORT <input type="checkbox"/> LONG SPRING BUCKETS <input type="checkbox"/> SHORT <input type="checkbox"/> LONG			
<input type="checkbox"/> BLADDER	<input type="checkbox"/> SEAL	<input type="checkbox"/> BLADDER	<input type="checkbox"/> TYPE
<input type="checkbox"/> EMULSION	<input type="checkbox"/> TYPE	<input type="checkbox"/> EMULSION	<input type="checkbox"/>

FRONT ANTI-ROLL BARS		REAR	
<input type="checkbox"/>	<input type="checkbox"/>	<input type="checkbox"/>	<input type="checkbox"/>
1.0	1.2	1.4	1.6
1.8	1.0	1.2	1.4
1.6	1.8	1.0	1.2
1.4	1.6	1.8	1.0

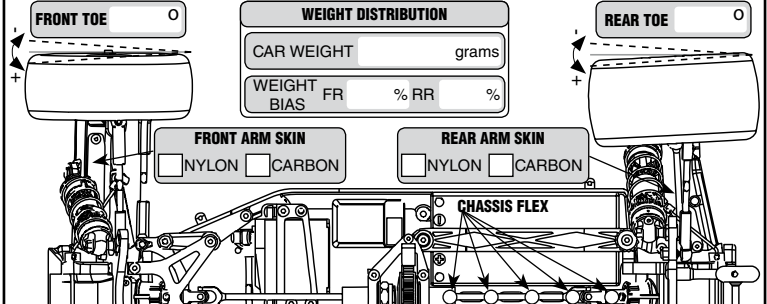
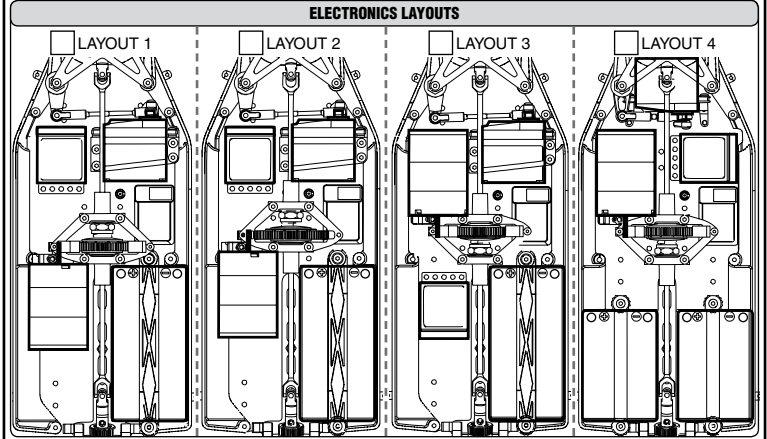
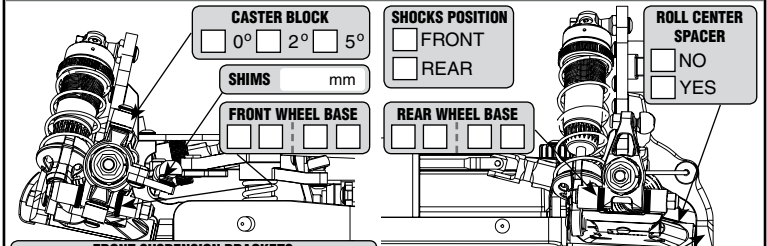
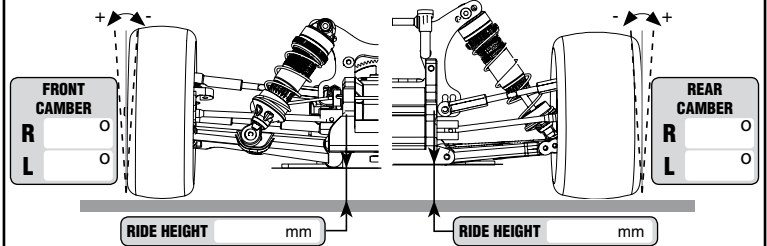
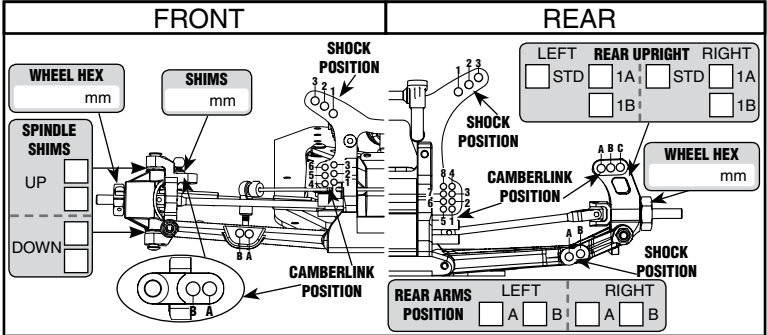
TRANSMISSION	
FRONT DIFF <input type="text"/> cst	REAR DIFF <input type="text"/> cst
<input type="checkbox"/> SLIPPER	<input type="checkbox"/> CENTER DIFF

GEARING	
PINION <input type="text"/> Teeth	SPUR GEAR <input type="text"/> Teeth

ELECTRONICS	
BATTERY	
BRAND <input type="text"/>	CAPACITY <input type="text"/> mAh
MOTOR	
BRAND <input type="text"/>	TYPE <input type="text"/> TIMING <input type="text"/>
ESC	
BRAND <input type="text"/>	TYPE <input type="text"/>

AERODYNAMIC CONFIGURATION	
BODY BRAND <input type="text"/>	TYPE <input type="text"/>
REAR WING BRAND <input type="text"/>	TYPE <input type="text"/>
REAR WING WIDTH <input type="text"/>	REAR WING LIP <input type="text"/> mm
FRONT WING <input type="checkbox"/> YES <input type="checkbox"/> NO TYPE <input type="text"/>	

FRONT TIRES		REAR	
<input type="checkbox"/> Controlled Tire	<input type="checkbox"/>	<input type="checkbox"/>	<input type="checkbox"/>
<input type="text"/> MAKE		<input type="text"/>	
<input type="text"/> TYPE		<input type="text"/>	
<input type="text"/> COMPOUND		<input type="text"/>	
<input type="text"/> INSERTS		<input type="text"/>	
<input type="text"/> WHEELS		<input type="text"/>	
<input type="text"/> ADDITIVE		<input type="text"/>	



REMARKS