

DRIVER, TRACK & RESULTS

Driver	Country	Weather	Air Temperature	<input type="checkbox"/> Dry	<input type="checkbox"/> Intermediate	<input type="checkbox"/> Wet
Race	Date	Qualification	Final			
Track	<input type="checkbox"/> Indoor <input type="checkbox"/> Outdoor	<input type="checkbox"/> Tight <input type="checkbox"/> Mixed <input type="checkbox"/> Open	<input type="checkbox"/> Smooth <input type="checkbox"/> Rough	<input type="checkbox"/> Low <input type="checkbox"/> Medium <input type="checkbox"/> High		
Condition	<input type="checkbox"/> Astroturf <input type="checkbox"/> Carpet <input type="checkbox"/> Clay <input type="checkbox"/> Dirt <input type="checkbox"/> Grass <input type="checkbox"/> Multisurface	<input type="checkbox"/> Blue-Groove	<input type="checkbox"/> Hard Packed			

Front	SHOCK ABSORBERS	Rear
	Oil	
	Springs	
	Rebound	
	Limiters	
	Pistons	
<input type="checkbox"/> Stock	<input type="checkbox"/> Square	<input type="checkbox"/> Stock
<input type="checkbox"/> Conical V	<input type="checkbox"/> Conical ^	<input type="checkbox"/> Conical V
<input type="checkbox"/> Short	<input type="checkbox"/> Long	Spring Buckets <input type="checkbox"/> Short <input type="checkbox"/> Long
<input type="checkbox"/> Bladder	<input type="checkbox"/> Emulsion	Seal Type <input type="checkbox"/> Bladder <input type="checkbox"/> Emulsion

ANTI-ROLL BARS									
<input type="checkbox"/>	<input type="checkbox"/>	<input type="checkbox"/>	<input type="checkbox"/>	<input type="checkbox"/>	<input type="checkbox"/>	<input type="checkbox"/>	<input type="checkbox"/>	<input type="checkbox"/>	<input type="checkbox"/>
1.0	1.2	1.4	1.6	1.8	1.0	1.2	1.4	1.6	1.8

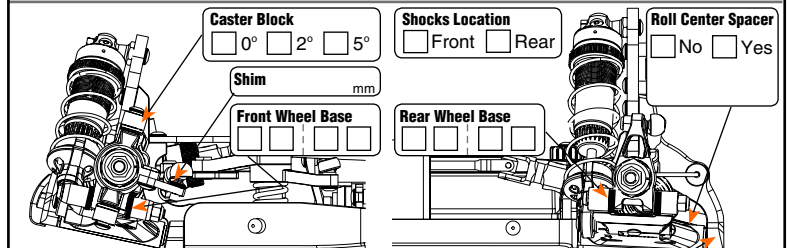
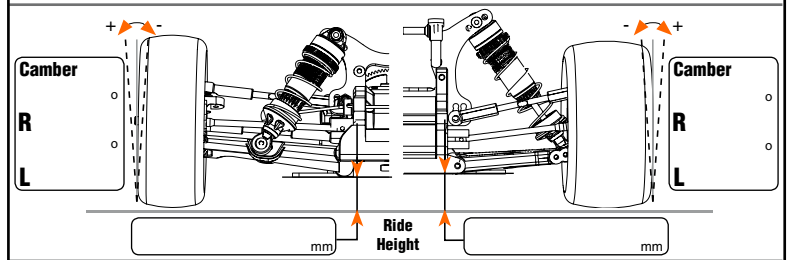
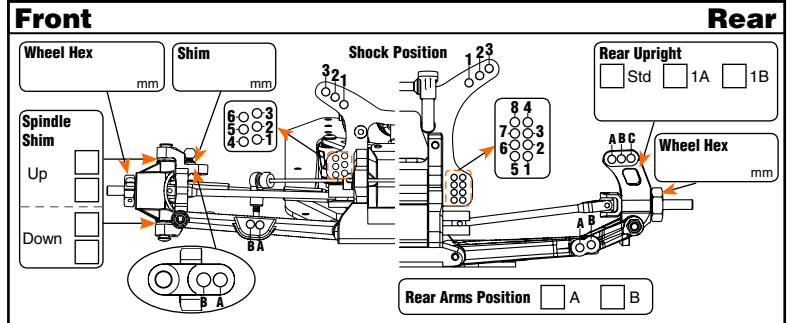
TIRES	Controlled <input type="checkbox"/>
Tire	
Compound	
Inserts	
Wheels	
Additive	
Notes	

Transmission		
Front	Center	Rear

Gearing	
Pinion	T Spur

Electronics
Battery
Motor
ESC

Aerodynamics	
Body	
Wing	Lip mm
Wing Angle	<input type="checkbox"/> 0° <input type="checkbox"/> 2° <input type="checkbox"/> 4° <input type="checkbox"/> 6° <input type="checkbox"/> 8°
Front Wing	



Front Suspension Brackets	Anti-Squat
Front <input type="checkbox"/> Std <input type="checkbox"/> +2 Rear <input type="checkbox"/> Std <input type="checkbox"/> +2	<input type="checkbox"/> 3° <input type="checkbox"/> 1°

