

### Driver and Event

Name Tom Cockerill  
 Date July '12  
 Event Euro's  
 Weather Dry/Hot  
 Result 7th

### Track Conditions

Surface Clay  
 Grip Level Medium  
 Track Condition



### Additional Settings

Car Weight  
 Weights Added 40g Around Servo  
 Weight Distribution  
 Ride Height Front 24 mm  
 Rear 24 mm  
 Washers between CTR and Bellcranks 0 mm  
 Chassis Alloy  Carbon

### Electrics and Gearing

E.S.C Speed Passion GT2.0 Pro  
 Servo GM  
 Receiver Sanwa  
 Batteries Speed Power 4200  
 Motor Speed Passion V3.0 7.5R  
 Spur 80  
 Pinion 25  
 Cell Position  
 10mm Foam FR & RR, Rest Middle

### Wheels and Tyres

Rear Wheels Schumacher FlexLite  
 Rear Tyre Handout  
 Rear Insert AKA Moulded  
 Front Wheels Sch Medium FlexLite  
 Front Tyre PL8175  
 Front Insert Std  
 Tyre Modifications

### Diff Type

Ball  Gear

### NOTES

Rear Battery Posts Only

### Rear Shocks

Oil 350 Spring 2.0  
 Ball Short   
 Socket Long   
 Piston Holes 2  3  4  5  6   
 Drilled  Hole Size



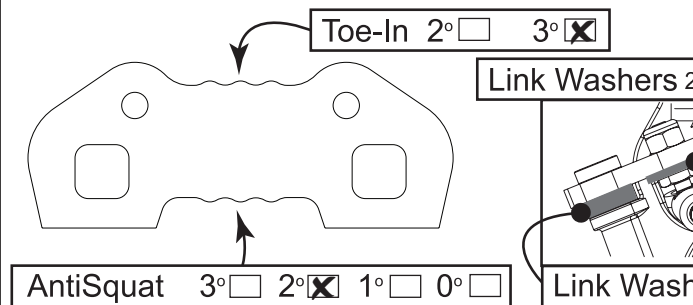
### Front Shocks

Oil 450 Spring 3.5  
 Piston Holes 2  3  4  5  6   
 Drilled  Hole Size



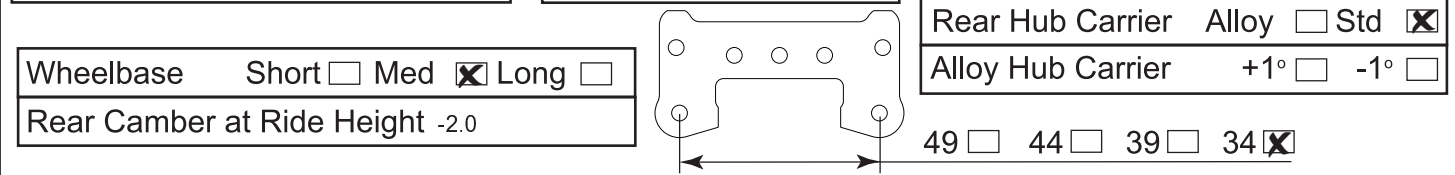
### Rear Suspension

Anti roll bar No  1.20  1.40  1.60

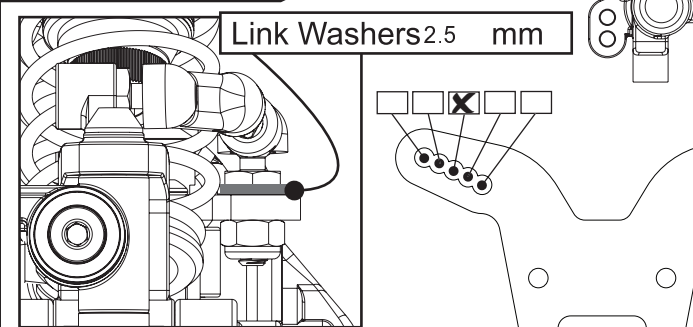


Wheelbase Short  Med  Long

Rear Camber at Ride Height -2.0



### Front Suspension



Front Camber at Ride Height -2.0

Front Toe In 0

