

Driver and Event	
Name	Bill Chronopoulos
Date	
Event	
Weather	Sunny
Result	

Track Conditions	
Surface	clay
Grip Level	medium low
Track Condition	hard and rutted

### Additional Settings

Car Weight	+45 GRAMS
Weights Added	Trisbits bulk & servo
Weight Distribution	
Ride Height	Front 23 mm
	Rear 23 mm
Washers between CTR and Bellcranks 0 mm	
Chassis	Alloy <input checked="" type="checkbox"/> Carbon <input type="checkbox"/>


Electrics and Gearing	
E.S.C	lrp ssx
Servo	kopropo
Reciever	futaba
Batteries	sp 6800
Motor	sp 7.5
Spur	81
Pinion	24
Cell Position	full back

Wheels and Tyres	
Rear Wheels	JC
Rear Tyre	JC DOUBLE DEES
Rear Insert	JC
Front Wheels	JC
Front Tyre	JC GROOVIES
Front Insert	JC
Tyre Modifications	


Diff Type	
Ball	<input checked="" type="checkbox"/> Gear <input type="checkbox"/>

**NOTES**  
Front battery posts removed  
Ghea pistons

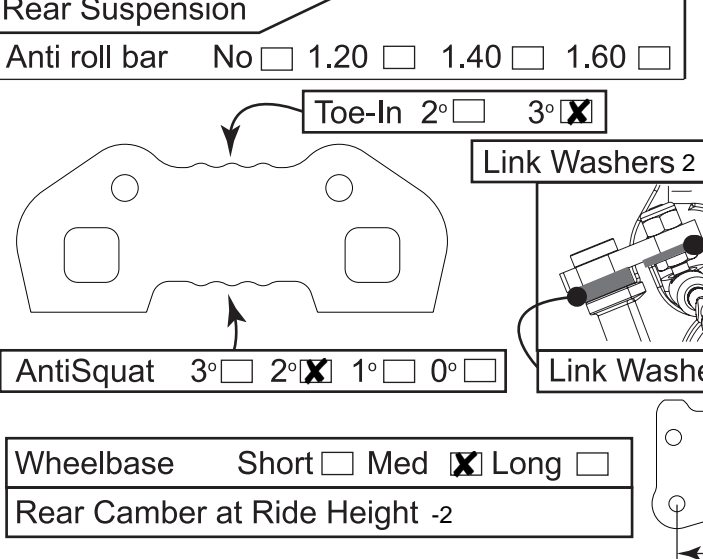
Rear Shocks	
Oil	500 xceed
Spring	losi pink
Piston Holes	2 <input type="checkbox"/> 3 <input type="checkbox"/> 4 <input type="checkbox"/> 5 <input checked="" type="checkbox"/> 6 <input type="checkbox"/>
Drilled	<input type="checkbox"/>
Hole Size	
Shock Length	



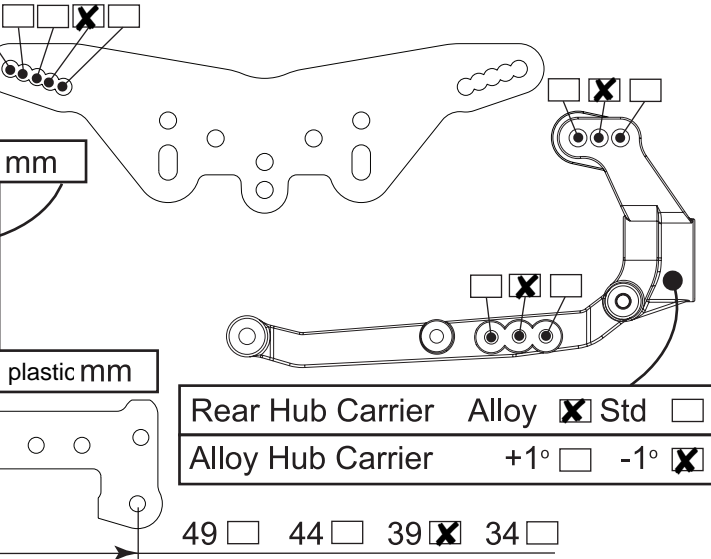
Front Shocks	
Oil	40 losi
Spring	Losi green
Piston Holes	2 <input type="checkbox"/> 3 <input type="checkbox"/> 4 <input checked="" type="checkbox"/> 5 <input type="checkbox"/> 6 <input type="checkbox"/>
Drilled	<input type="checkbox"/>
Hole Size	
Shock Length	



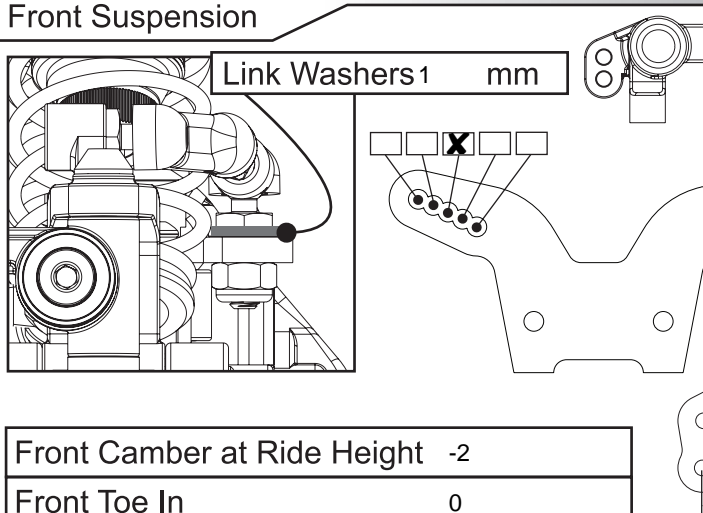
Rear Suspension	
Anti roll bar	No <input type="checkbox"/> 1.20 <input type="checkbox"/> 1.40 <input type="checkbox"/> 1.60 <input type="checkbox"/>
Toe-In	2° <input type="checkbox"/> 3° <input checked="" type="checkbox"/>
Link Washers	2 mm
AntiSquat	3° <input type="checkbox"/> 2° <input checked="" type="checkbox"/> 1° <input type="checkbox"/> 0° <input type="checkbox"/>
Link Washers	plastic mm
Wheelbase	Short <input type="checkbox"/> Med <input checked="" type="checkbox"/> Long <input type="checkbox"/>
Rear Camber at Ride Height	-2



Rear Hub Carrier	Alloy <input checked="" type="checkbox"/> Std <input type="checkbox"/>
Alloy Hub Carrier	+1° <input type="checkbox"/> -1° <input checked="" type="checkbox"/>
	49 <input type="checkbox"/> 44 <input type="checkbox"/> 39 <input checked="" type="checkbox"/> 34 <input type="checkbox"/>



Front Suspension	
Link Washers	1 mm
Front Camber at Ride Height	-2
Front Toe In	0



Yoke	0° <input checked="" type="checkbox"/> 5° <input type="checkbox"/> 7.5° <input type="checkbox"/>
Hub Carrier	High <input type="checkbox"/> Low <input checked="" type="checkbox"/>
Zero Trail (Alloy)	<input type="checkbox"/>
	60.0 <input type="checkbox"/> 50.5 <input type="checkbox"/> 45.5 <input checked="" type="checkbox"/> 40.5 <input type="checkbox"/>

