

| Driver and Event |                        |
|------------------|------------------------|
| Name             | Ulrich Rasmussen       |
| Date             |                        |
| Event            | Proline Cup Vejle 2011 |
| Weather          | Indoor                 |
| Result           | 3rd                    |

| Track Conditions |        |
|------------------|--------|
| Surface          | Carpet |
| Grip Level       | High   |
| Track Condition  |        |
|                  |        |



| Driver Notes           |  |
|------------------------|--|
| Std. chassis           |  |
| 37mm rear link bracket |  |
| 20mm ride height       |  |
| 3 deg rear anti squat  |  |
|                        |  |
|                        |  |
|                        |  |
|                        |  |

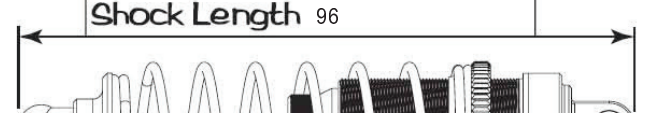
| Electrics and Gearing |   |
|-----------------------|---|
| E.S.C                 | LRP                                       |
| Servo                 | Sanwa                                     |
| Reciever              |   |
| Batteries             | SP  |
| Motor                 | SP 9,5 Spec                               |
| Spur                  | 78  |
| Pinion                | 27  |
| Ext Gears             | 34/22 <input type="checkbox"/>            |
|                       | 33/23 <input checked="" type="checkbox"/> |
|                       | 32/24 <input type="checkbox"/>            |

| Wheels and Tyres |                           |
|------------------|---------------------------|
| Rear Wheels      | losi                      |
| Rear Tyre        | mini pin yellow           |
| Rear Insert      | sch.tubby                 |
| Front Wheels     | Schumacher Std rim        |
| Front Tyre       | Mini pin 2 row cut in/out |
| Front Insert     | 4WD tubby "no cutting"    |


| Differential Height |                                     |
|---------------------|-------------------------------------|
| High                | <input type="checkbox"/>            |
| Low                 | <input checked="" type="checkbox"/> |

| Topdeck |                                     |
|---------|-------------------------------------|
| Stiff   | <input type="checkbox"/>            |
| Medium  | <input type="checkbox"/>            |
| Soft    | <input checked="" type="checkbox"/> |

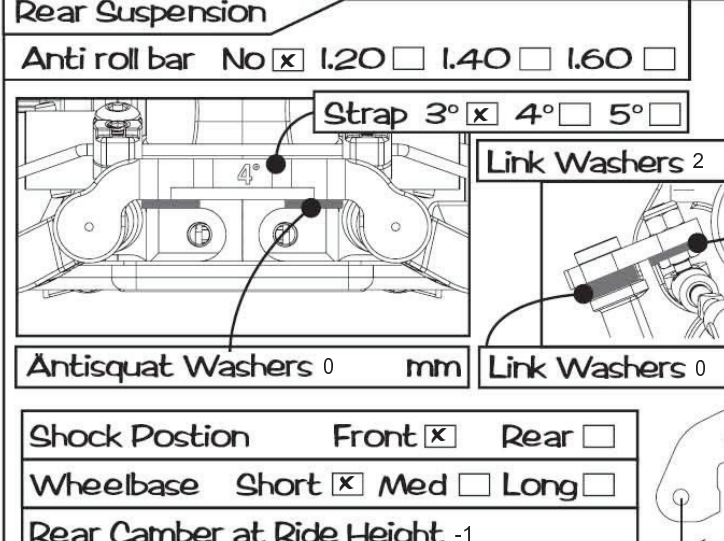
| Rear Shocks  |   |
|--------------|---|
| Oil          | 32,50   |
| Spring       | 3,0   |
| Piston Holes | 2 <input type="checkbox"/> 3 <input type="checkbox"/> 4 <input type="checkbox"/> 5 <input checked="" type="checkbox"/> 6 <input type="checkbox"/> |
| Shock Length | 96  |



| Front Shocks |   |
|--------------|---|
| Oil          | 45  |
| Spring       | 5,0   |
| Piston Holes | 2 <input type="checkbox"/> 3 <input type="checkbox"/> 4 <input checked="" type="checkbox"/> 5 <input type="checkbox"/> 6 <input type="checkbox"/> |
| Shock Length | 83  |

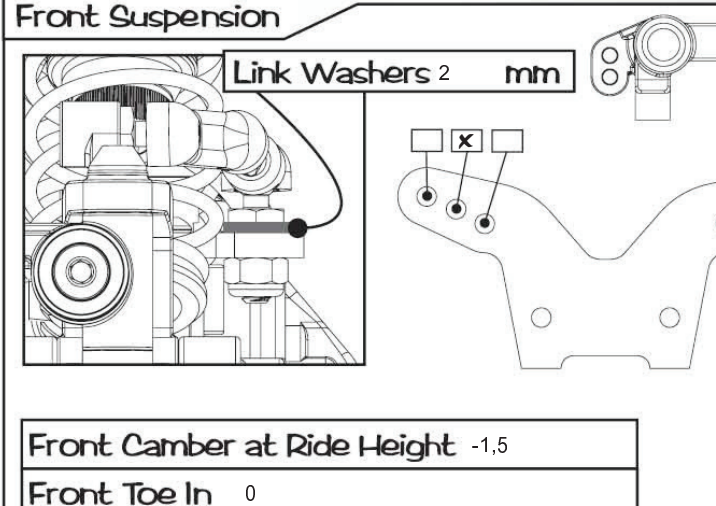


| Rear Suspension            |  |
|----------------------------|--|
| Anti roll bar              | No <input checked="" type="checkbox"/> 1.20 <input type="checkbox"/> 1.40 <input type="checkbox"/> 1.60 <input type="checkbox"/> |
| Strap                      | 3° <input checked="" type="checkbox"/> 4° <input type="checkbox"/> 5° <input type="checkbox"/>                                   |
| Link Washers               | 2 mm   |
| Antisquat Washers          | 0 mm   |
| Link Washers               | 0 mm   |
| Shock Postion              | Front <input checked="" type="checkbox"/> Rear <input type="checkbox"/>  |
| Wheelbase                  | Short <input checked="" type="checkbox"/> Med <input type="checkbox"/> Long <input type="checkbox"/>                             |
| Rear Camber at Ride Height | -1   |



|                   |   |
|-------------------|---|
| Rear Hub Carrier  | Alloy <input type="checkbox"/> Std <input checked="" type="checkbox"/>  |
| Alloy Hub Carrier | +1° <input type="checkbox"/> -1° <input type="checkbox"/>   |
| Wheelbase         | 49 <input type="checkbox"/> 44 <input type="checkbox"/> 39 <input type="checkbox"/> 34 <input type="checkbox"/> |

| Front Suspension            |   |
|-----------------------------|---|
| Link Washers                | 2 mm  |
| Yoke                        | 0° <input type="checkbox"/> 5° <input checked="" type="checkbox"/>    |
| Hub Carrier                 | High <input checked="" type="checkbox"/> Low <input type="checkbox"/> |
| Front Camber at Ride Height | -1,5  |
| Front Toe In                | 0   |



|           |  |
|-----------|--|
| Wheelbase | 50.5 <input type="checkbox"/> 45.5 <input type="checkbox"/> 40.5 <input checked="" type="checkbox"/> |
|-----------|--|