

Driver: Michal Orlowski Date: 15th September 2023 Event/Track: World Championships HobbyAction

Qualify: Final: Best Lap:

**TRACK TYPE**

Grip Level High  Medium  Low   
 Type Tight  Open  Mixed   
 Condition Flat  Bumpy  Mixed   
 Surface Clay  Long Astro  Carpet   
 Grass  Short Astro  Mixed   
 Weather

**TYRES**

	FRONT	REAR
Tyres	Handout	Handout
Wheels	Schumacher	Schumacher
Inserts	Handout	Handout

Notes:

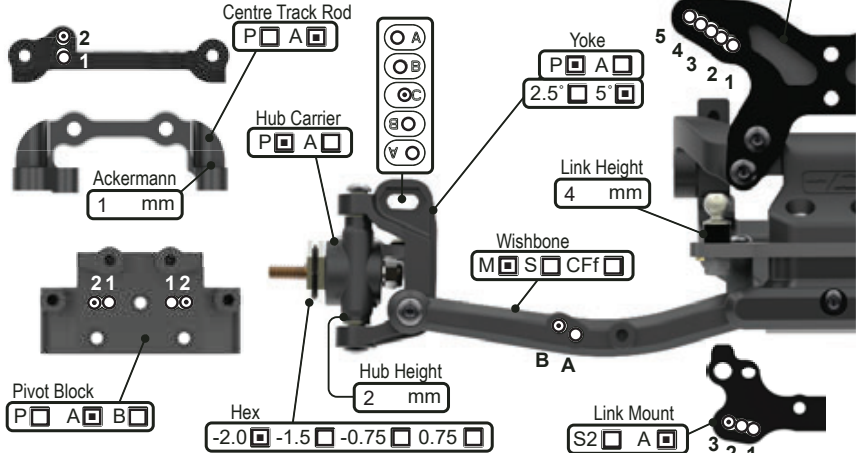
Notes:

**FRONT SUSPENSION**

KEY: P = Plastic, A = Alloy, B = Brass, CF = Carbon Fibre, S2 = Schumacher Composite, M = Medium, S = Stiff, Sh = Short, H = High, L = Low, F = Front, R = Rear, Y = Yes, N = No

Ride Height 20 mm  
 Wheelbase 0  +1.5  +3.0  +4.5   
 Toe 1 deg In  Out   
 Camber at Ride Height -1.5 deg  
 Anti Roll Bar 0.9  1.0  1.1  1.2   
 Front Wing Y  N   
 Bump Steer Washers 1 mm  
 Pivot Block Height H  M  L   
 Steering Arm Kit  A  B  C

Notes:

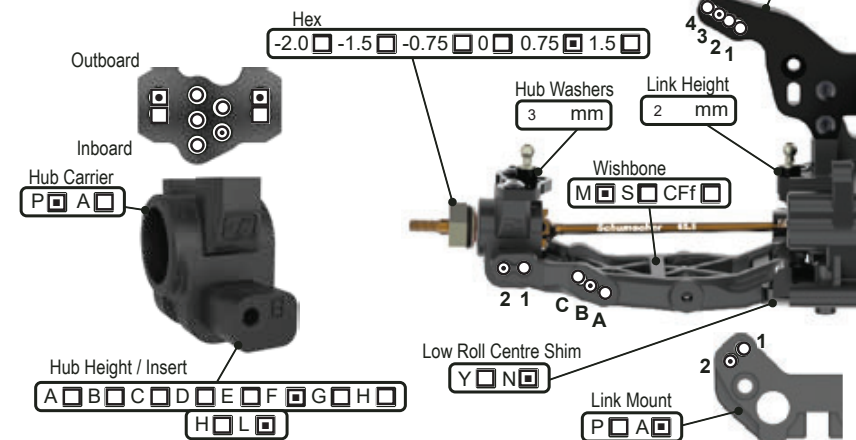


**REAR SUSPENSION**

KEY: P = Plastic, A = Alloy, B = Brass, CF = Carbon Fibre, S2 = Schumacher Composite, M = Medium, S = Stiff, Sh = Short, H = High, L = Low, F = Front, R = Rear, Y = Yes, N = No

Ride Height 20 mm  
 Wheelbase 0  +2  +4  +6   
 Anti-Squat 1°  2°  3°  4°   
 Toe 4°  3.5°  3°  2.5°  2°  1.5°  1.0°  0.5°   
 Camber at Ride Height -1.5 deg  
 Anti Roll Bar 1.0  1.1  1.2  1.3  1.4   
 Wing Gurney Height mm  
 Rearward Shock Position Y  N   
 Driveshaft Type CVD  U/J   
 Gearbox Type Laydown  Layback

Notes:



**TRANSMISSION**

B = Ball, 2g = 2 Gear, 4g = 4 Gear

Diff Height H  M  L   
 Diff Oil cSt  
 Diff Type B  2g  4g   
 Motor 7t  
 Rotor Dia. 12.5 mm  
 Timing 35 deg  
 Pinion 21 t  
 Spur 78 t  
 Motor Plate A  CF   
 Lock Out Y  N   
 Slipper Plates 2  3

**CHASSIS**

Chassis A  C/F   
 Chassis Insert 0mm  +5mm   
 LiPo Position 1  2  3  4  5  6  7  8   
 X Brace Y  N   
 Running Weight 1480 g  
 Radio Tray 1  2  3

Notes:

No weight at the front of the car

**EQUIPMENT**

E.S.C. HW G2S  
 Servo PowerHD GTS-3  
 RX Sanwa RX-493i  
 LiPo Sunpadow 3800  
 Bodyshell JC F2

**WEIGHTS**

Chassis F  R   
 Rear Strap F  R   
 Radio Tray Y  N   
 Under LiPo Y  N

**SHOCKS**

KEY: i = Internal, e = External, V = Vented, S = Sealed, A = Aeration

	FRONT	REAR
Cap	V <input type="checkbox"/> S <input type="checkbox"/> A <input type="checkbox"/>	V <input type="checkbox"/> S <input type="checkbox"/> A <input type="checkbox"/>
Body	kashima	kashima
Oil	450 cSt	400 cSt
Piston	3x1.6	3x1.7
Spring	blue v3 lb/in	grey v3 lb/in
Limiters (i)	mm	mm
Stroke	22.5 mm	29.0 mm
Limiters (e)	mm	mm

Notes:

