

Driver: Michal Orlowski Date: 19th November 2023 Event/Track: Florida Carpet Champs, Beachline Raceway

Qualify: 1st Final: 1st Best Lap: 16.1

TRACK TYPE

Grip Level High Medium Low
 Type Tight Open Mixed
 Condition Flat Bumpy Mixed
 Surface Clay Long Astro Carpet
 Grass Short Astro Mixed
 Weather

TYRES

	FRONT	REAR
Tyres	JC Pin Swag	JC Fuzz Bite
Wheels	JC	JC
Inserts	-	JC

Notes:

Notes:

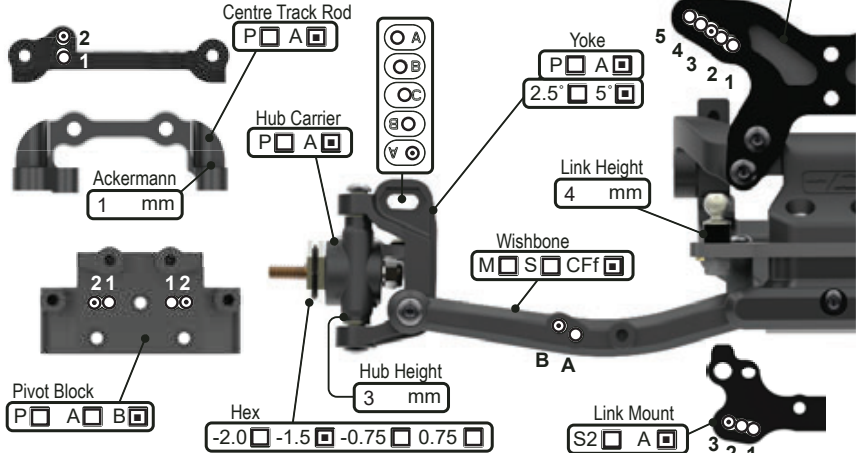
FRONT SUSPENSION

KEY: P = Plastic, A = Alloy, B = Brass, CF = Carbon Fibre, S2 = Schumacher Composite, M = Medium, S = Stiff, Sh = Short, H = High, L = Low, F = Front, R = Rear, Y = Yes, N = No

Ride Height mm
 Wheelbase
 Toe deg In Out
 Camber at Ride Height deg
 Anti Roll Bar
 Front Wing Y N
 Bump Steer Washers mm
 Pivot Block Height
 Steering Arm A B C

Notes:

CF tower



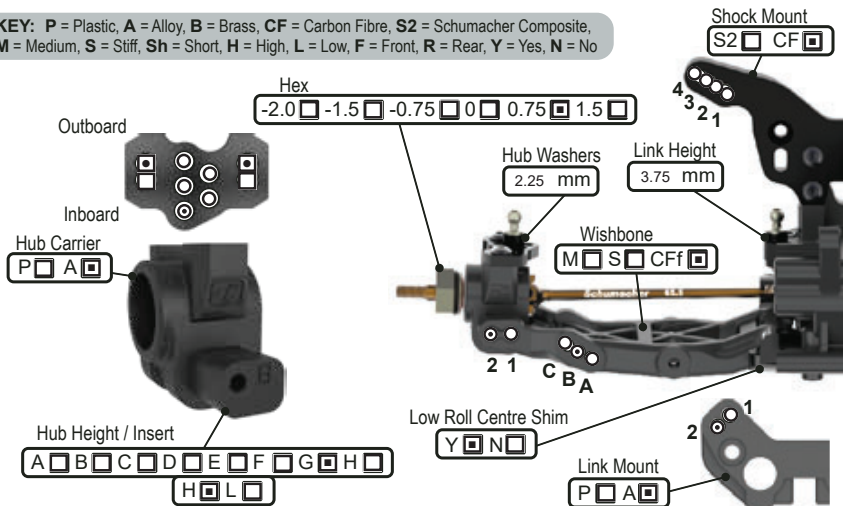
REAR SUSPENSION

KEY: P = Plastic, A = Alloy, B = Brass, CF = Carbon Fibre, S2 = Schumacher Composite, M = Medium, S = Stiff, Sh = Short, H = High, L = Low, F = Front, R = Rear, Y = Yes, N = No

Ride Height mm
 Wheelbase
 Anti-Squat
 Toe
 Camber at Ride Height deg
 Anti Roll Bar
 Wing Gurney Height mm
 Rearward Shock Position Y N
 Driveshaft Type CVD U/J
 Gearbox Type Laydown Layback

inside hole on the tower

Notes:



TRANSMISSION

B = Ball, 2g = 2 Gear, 4g = 4 Gear

Diff Height H M L
 Diff Oil cSt
 Diff Type B 2g 4g
 Motor
 Rotor Dia. mm
 Timing deg
 Pinion t
 Spur t
 Motor Plate A CF
 Lock Out Y N
 Slipper Plates

CHASSIS

Chassis A C/F
 Chassis Insert
 LiPo Position 1 2 3 4 5 6 7 8
 X Brace Y N
 Running Weight g
 Radio Tray 1 2 3

Notes:

EQUIPMENT

E.S.C.
 Servo
 RX
 LiPo
 Bodyshell

WEIGHTS

Chassis F R
 Rear Strap F R
 Radio Tray Y N
 Under LiPo Y N

SHOCKS

KEY: i = Internal, e = External, V = Vented, S = Sealed, A = Aeration

	FRONT	REAR
Cap	<input type="checkbox"/> V <input type="checkbox"/> S <input type="checkbox"/> A <input type="checkbox"/>	<input type="checkbox"/> V <input type="checkbox"/> S <input type="checkbox"/> A <input type="checkbox"/>
Body	kashima	kashima
Oil	575 cSt	525 cSt
Piston	3x1.5	3x1.6
Spring	orange hr lb/in	black hr lb/in
Limiters (i)	2 mm	mm
Stroke	20.5 mm	27.8 mm
Limiters (e)	mm	mm

Notes:

Aeration F&R

