

Driver: Jörg Miikael Tiit Date: Nov21 Event/Track: _____

Qualify: _____ Final: _____ Best Lap: _____

TRACK TYPE

Grip Level High Medium Low
 Type Tight Open Mixed
 Condition Flat Bumpy
 Surface Clay Long Astro Carpet
 Grass Short Astro
 Weather _____

TYRES

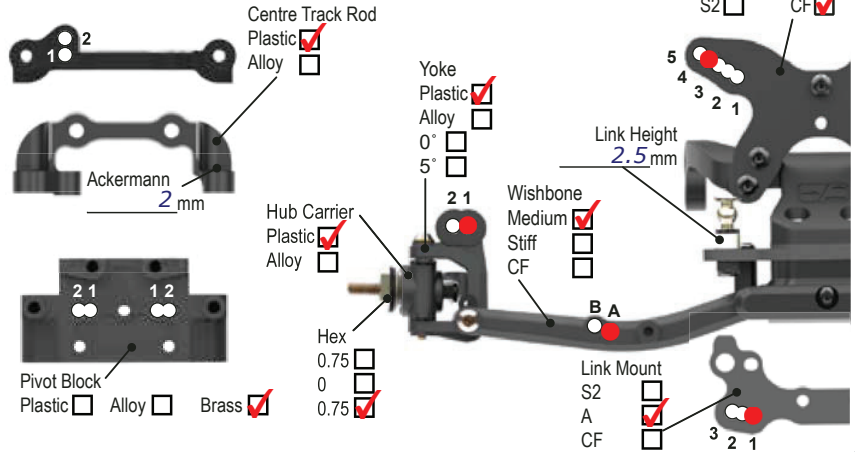
	FRONT	REAR
Tyres	<u>Cut Stagger Yellow</u>	<u>Cactus Yellow</u>
Wheels		
Inserts		
Notes		

Notes

FRONT SUSPENSION

Ride Height 13.5 mm
 Wheelbase 0 +1.5 +3.0 +4.5
 Toe 1 deg In Out
 Camber at Ride Height -1.5 deg
 Anti Roll Bar 0.9 1.0 1.1 1.2
 Front Wing Yes No
 Hub Height High Middle Low
 Bump Steer Washers 3 mm
 Pivot Block Height High Middle Low

Notes

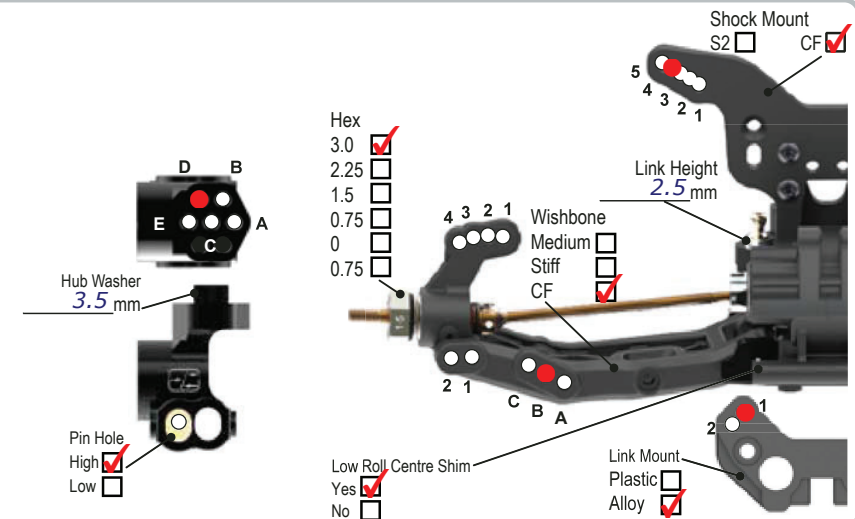


REAR SUSPENSION

Ride Height 12 mm
 Wheelbase Short Medium Long
 Anti-Squat 1° 2° 3° 4°
 Toe 0.5° 1° 1.5° 2° 2.5° 3° 3.5° 4°
 Camber at Ride Height -1 deg
 Anti Roll Bar 1.0 1.1 1.2 1.3 1.4
 Wing Gurney Height _____ mm
 Rearward Shock Position Only A B
 Driveshaft Type CVD U/J

Notes

Klinik Rc Mount



TRANSMISSION

Diff Height H M L
 Diff Oil 10k cSt
 Diff Type B 2g 4g
 Motor 6.0t
 Rotor Dia. 12.5 mm
 Timing 24.5 deg
 Pinion 14 t
 Spur 78 t
 Motor Plate A CF
 Lock Out Yes No
 Slipper Plates 2 3

CHASSIS

Chassis A C/F
 Side Pods S C/F
 Insert 0mm +5mm
 LiPo Position
 1 2 3 4 5 6 7 8
 X Brace Yes No
 Running Weight _____ g
 Radio Tray 1 2 3
 Notes

EQUIPMENT

E.S.C. _____
 Servo _____
 Receiver _____
 LiPo 4000 ULCG
 Bodyshell Stock LW

WEIGHTS

Chassis Fr Rr
 Rear Strap Fr Rr
 Radio Tray Yes
 Under LiPo Yes

SHOCKS

V = Vented, S = Sealed, A = Aeration

	FRONT	REAR
Cap	V <input type="checkbox"/> S <input type="checkbox"/> A <input checked="" type="checkbox"/>	V <input type="checkbox"/> S <input type="checkbox"/> A <input checked="" type="checkbox"/>
Body	<u>Kashima</u>	<u>Kashima</u>
Oil	<u>550 cSt</u>	<u>500 cSt</u>
Piston	<u>3x1.5(White)</u>	<u>3x1.7(Red)</u>
Spring	<u>Orange lb/in</u>	<u>Black HR lb/in</u>
Limiter In	<u>0 mm</u>	<u>0 mm</u>
Stroke	<u>20.8 mm</u>	<u>27.5 mm</u>
Limiter Out	<u>0 mm</u>	<u>0 mm</u>

Notes

