

SET UP SHEET



Driver: Ben Smith Date: 8/7/23 Event/Track: RHR BRCA National RD5
 Qualify: Final: Best Lap:

TRACK TYPE

Grip Level High Medium Low
 Type Tight Open Mixed
 Condition Flat Bumpy Mixed
 Surface Clay Long Astro Carpet
 Grass Short Astro Mixed
 Weather

TYRES

	FRONT	REAR
Tyres	Cut Staggers	Mezzos
Wheels	Kit	Kit
Inserts	N/A	Tubby

Notes:
Front tyres glued down

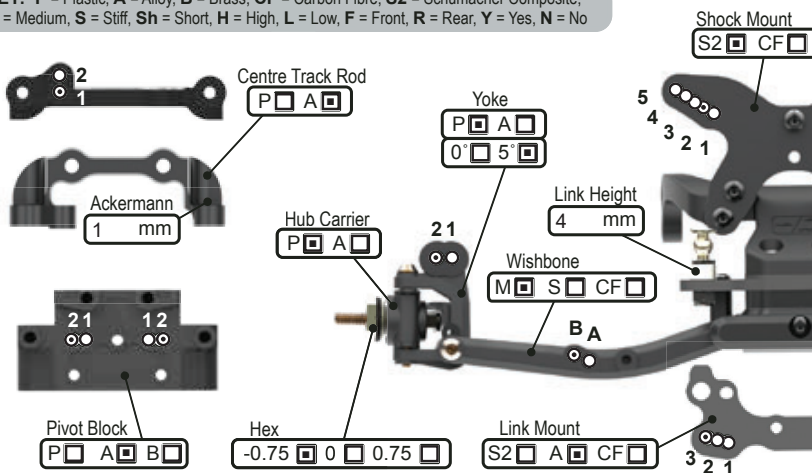
Notes:

FRONT SUSPENSION

KEY: P = Plastic, A = Alloy, B = Brass, CF = Carbon Fibre, S2 = Schumacher Composite, M = Medium, S = Stiff, Sh = Short, H = High, L = Low, F = Front, R = Rear, Y = Yes, N = No

Ride Height mm
 Wheelbase +1.5 +3.0 +4.5
 Toe deg In Out
 Camber at Ride Height deg
 Anti Roll Bar 1.0 1.1 1.2
 Front Wing N
 Hub Height M L
 Bump Steer Washers mm
 Pivot Block Height M L

Notes:

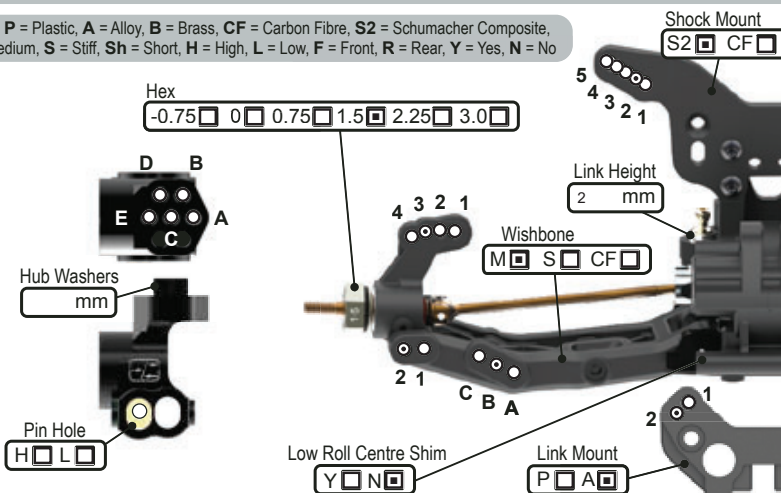


REAR SUSPENSION

KEY: P = Plastic, A = Alloy, B = Brass, CF = Carbon Fibre, S2 = Schumacher Composite, M = Medium, S = Stiff, Sh = Short, H = High, L = Low, F = Front, R = Rear, Y = Yes, N = No

Ride Height mm
 Wheelbase M L
 Anti-Squat 2° 3° 4°
 Toe 3.5° 3° 2.5° 2° 1.5° 1.0° 0.5°
 Camber at Ride Height deg
 Anti Roll Bar 1.1 1.2 1.3 1.4
 Wing Gurney Height mm
 Rearward Shock Position Only B
 Driveshaft Type U/J

Notes:



TRANSMISSION

Diff Height M L
 Diff Oil
 Diff Type 2g 4g
 Motor
 Rotor Dia. mm
 Timing deg
 Pinion t
 Spur t
 Motor Plate CF
 Lock Out N
 Slipper Plates 3

CHASSIS

Chassis C/F
 Side Pods C/F
 Chassis Insert +5mm
 LiPo Position 2 3 4 5 6 7 8
 X Brace N
 Running Weight
 Radio Tray 2 3
 Notes:

EQUIPMENT

E.S.C.
 Servo
 RX
 LiPo
 Bodyshell

WEIGHTS

Chassis R
 Rear Strap R
 Radio Tray N
 Under LiPo N

SHOCKS

KEY: i = Internal, e = External, V = Vented, S = Sealed, A = Aeration

	FRONT	REAR
Cap	<input type="checkbox"/> V <input type="checkbox"/> S <input type="checkbox"/> A <input type="checkbox"/>	<input type="checkbox"/> V <input type="checkbox"/> S <input type="checkbox"/> A <input type="checkbox"/>
Body	Kashima	Kashima
Oil	550 cSt	450 cSt
Piston	2 hole 1.8	2 hole 2.1
Spring	Orange lb/in	Green HR lb/in
Limiters (i)	<input type="text" value=""/> mm	<input type="text" value=""/> mm
Stroke	22 mm	28 mm
Limiters (e)	<input type="text" value=""/> mm	<input type="text" value=""/> mm

Notes:

