

# SET UP SHEET



Driver: ALEX CARTER

Date:

Event/Track: STOTFOLD

Qualify: P2

Final: P1

Best Lap: YES

## TRACK TYPE

Grip Level  High  Medium  Low

Type  Tight  Open  Mixed

Condition  Flat  Bumpy  Mixed

Surface  Clay  Long Astro  Carpet  Grass  Short Astro  Mixed

Weather  CLOUDY 15-18DEG C

## TYRES

	FRONT	REAR
Tyres	CUT STAGGER SLIM YEL	MEZZO YELLOW
Wheels	KIT	KIT
Inserts	N/A	MEDIUM BLUE

Notes:

## Notes:

A drying track, Mezzo yellows working well even with damp patches, for less steering try non cut slim staggers.  
High rear pin

## FRONT SUSPENSION

KEY: P = Plastic, A = Alloy, B = Brass, CF = Carbon Fibre, S2 = Schumacher Composite, M = Medium, S = Stiff, Sh = Short, H = High, L = Low, F = Front, R = Rear, Y = Yes, N = No

Ride Height  mm

Wheelbase   +1.5  +3.0  +4.5

Toe  deg  In  Out

Camber at Ride Height  deg

Anti Roll Bar   1.0  1.1  1.2

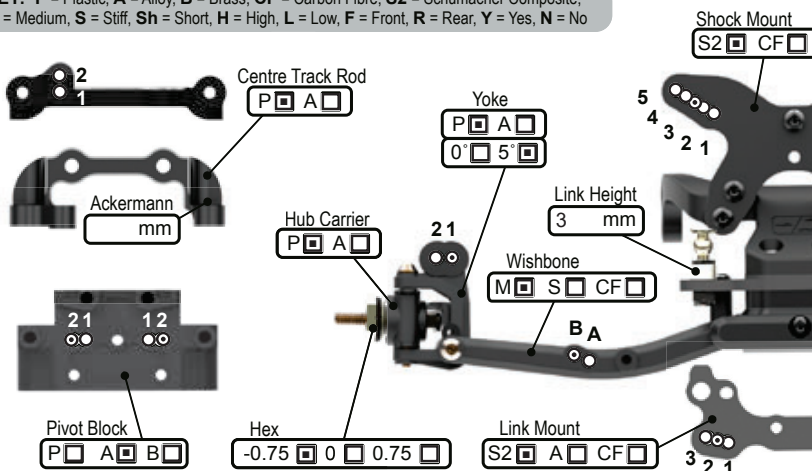
Front Wing  Y  N

Hub Height  H  M  L

Bump Steer Washers  mm

Pivot Block Height  H  M  L

Notes:



## REAR SUSPENSION

KEY: P = Plastic, A = Alloy, B = Brass, CF = Carbon Fibre, S2 = Schumacher Composite, M = Medium, S = Stiff, Sh = Short, H = High, L = Low, F = Front, R = Rear, Y = Yes, N = No

Ride Height  mm

Wheelbase  Sh  M  L

Anti-Squat   2°  3°  4°

Toe   3.5°  3°  2.5°  2°  1.5°  1.0°  0.5°

Camber at Ride Height  deg

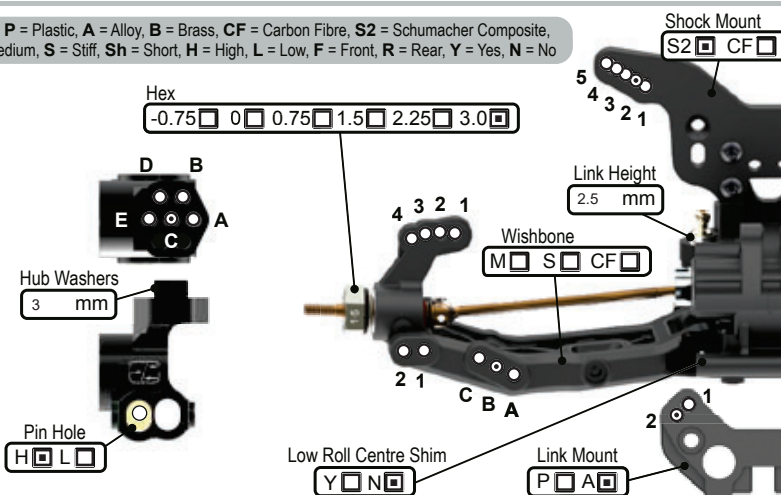
Anti Roll Bar   1.1  1.2  1.3  1.4

Wing Gurney Height  mm

Rearward Shock Position Only  A  B

Driveshaft Type  CVD  U/J

Notes:



## TRANSMISSION

Diff Height  H  M  L

Diff Oil  cSt

Diff Type  B  2g  4g

Motor

Rotor Dia.  mm

Timing  deg

Pinion  t

Spur  t

Motor Plate  A  CF

Lock Out  Y  N

Slipper Plates  2  3

## CHASSIS

Chassis  A  C/F

Side Pods  S  C/F

Chassis Insert  0mm  +5mm

LiPo Position  1  2  3  4  5  6  7  8

X Brace  Y  N

Running Weight

Radio Tray  1  2  3

Notes:

## EQUIPMENT

E.S.C.

Servo

RX

LiPo

Bodyshell

## WEIGHTS

Chassis  F  R

Rear Strap  F  R

Radio Tray  Y  N

Under LiPo  Y  N

## SHOCKS

KEY: i = Internal, e = External, V = Vented, S = Sealed, A = Aeration

	FRONT	REAR
Cap	<input type="checkbox"/> V <input type="checkbox"/> S <input type="checkbox"/> A	<input type="checkbox"/> V <input type="checkbox"/> S <input type="checkbox"/> A
Body		
Oil	<input type="text" value="500"/> cSt	<input type="text" value="400"/> cSt
Piston	<input type="text" value="KIT"/>	<input type="text" value="2X2.0"/>
Spring	<input type="text" value="ORANGE"/> lb/in	<input type="text" value="GREEN"/> lb/in
Limiters (i)	<input type="text" value="0"/> mm	<input type="text" value="0"/> mm
Stroke	<input type="text"/> mm	<input type="text"/> mm
Limiters (e)	<input type="text" value="1"/> mm	<input type="text" value="0"/> mm

Notes:

