

Driver and Event

Name	Tom Cockerill
Date	14/8/11
Event	Southport National
Weather	Dry
Result	3rd
Track Conditions	
Grip Level	High
Surface	Astro
Track Condition	Bumpy

Temperature	
-------------	--

Electrics

E.S.C	Speed Passion GT 2.0 Pro
Servo	GM
Receiver	KO
Li-Po	Speed Power 4200
Motor	Speed Passion V3.0 5.5R
Spur	83
Pinion	23
Internal Ratio	Std

Wheels - Tyres - Inserts

Front Wheels	RevLite
Front Inserts	Sch Medium
Front Tyres	BB Spikes - Green
Rear Wheels	RevLite
Rear Inserts	Sch Medium
Rear Tyres	BB Spikes - Green

Transmission

Rear Diff Height	Low
Front Diff Height	Low
Front Layshaft Pulley	
One Way	<input checked="" type="checkbox"/> Fixed <input type="checkbox"/> F.A.B <input type="checkbox"/>
Front Drive	Std
Front Overdrive	N/A

Chassis

Carbon Fibre	<input checked="" type="checkbox"/> S1 <input type="checkbox"/>
--------------	---

Notes

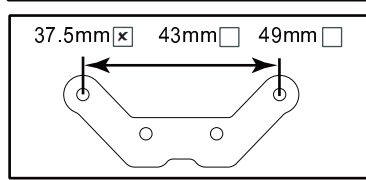
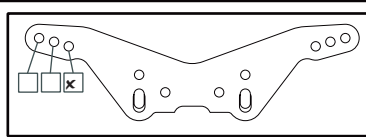
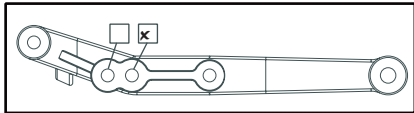
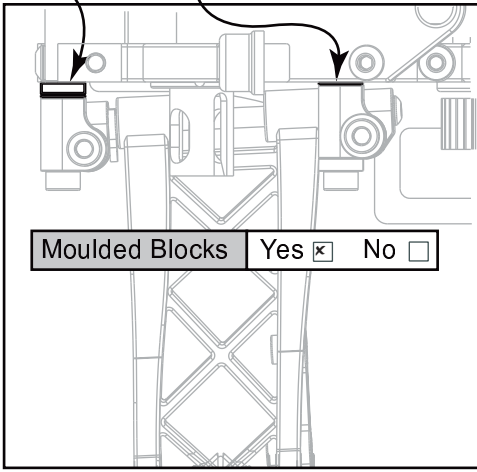
20mm Ride Height
 Tire Spikes Cut Down
 * Rod End Unscrewed 2 Turns
 Schumacher Oil

Rear Suspension

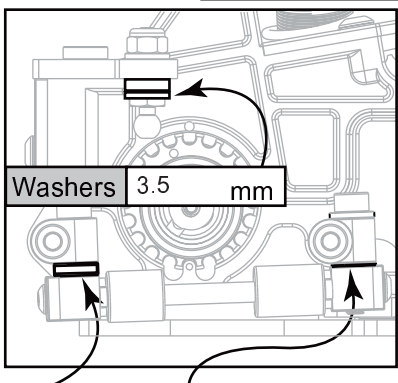
Pivot Pin Height	High <input type="checkbox"/> Low <input checked="" type="checkbox"/>
Wheelbase	Short <input type="checkbox"/> Medium <input type="checkbox"/> Long <input checked="" type="checkbox"/>
Roll Bar	No <input type="checkbox"/> 1.2 <input type="checkbox"/> 1.4 <input checked="" type="checkbox"/> 1.6 <input type="checkbox"/>

Equal Washers = 0° Toe-in
 0.50 Difference = 0.65° Toe-in
 1.00 Difference = 1.30° Toe-in
 1.50 Difference = 1.95° Toe-in
 2.00 Difference = 2.60° Toe-in
 2.50 Difference = 3.25° Toe-in
 3.00 Difference = 3.90° Toe-in

Toe-in / Rear Track Washers		
Rear 0 mm	Front 1.0 mm	Actual 1.95°



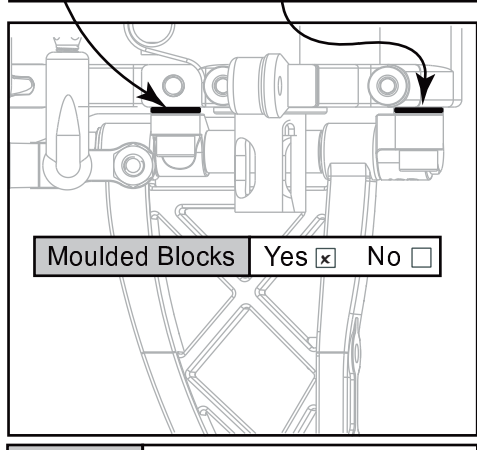
Note: The Anti-Squat Angle is worked out using the Toe-in Chart as the washers produce the same angles.



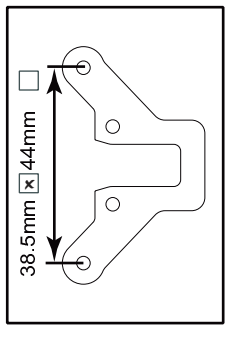
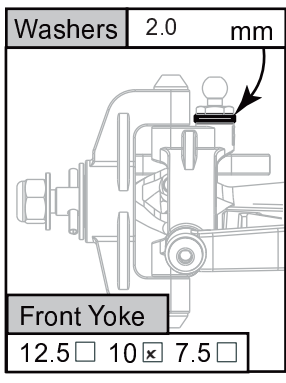
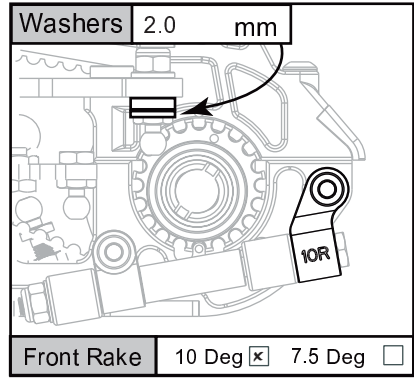
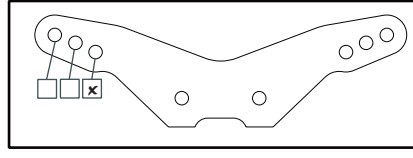
Rear N/A mm	Front N/A mm	Actual 1.95°
Anti-Squat Washers		

Front Suspension

Front Track Washers	
Rear 0 mm	Front 0 mm

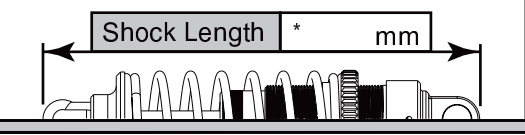


Roll Bar	No <input checked="" type="checkbox"/> 1.2 <input type="checkbox"/> 1.4 <input type="checkbox"/> 1.6 <input type="checkbox"/>
----------	---



Rear Shocks

Oil	40	Springs	2.0R
Piston Holes	2 <input type="checkbox"/> 3 <input type="checkbox"/> 4 <input checked="" type="checkbox"/> 5 <input type="checkbox"/> 6 <input type="checkbox"/>		
Diaphragm Spec	Std		



Front Shocks

Oil	40	Springs	4.0R
Piston Holes	2 <input type="checkbox"/> 3 <input type="checkbox"/> 4 <input checked="" type="checkbox"/> 5 <input type="checkbox"/> 6 <input type="checkbox"/>		
Diaphragm Spec	Std		

