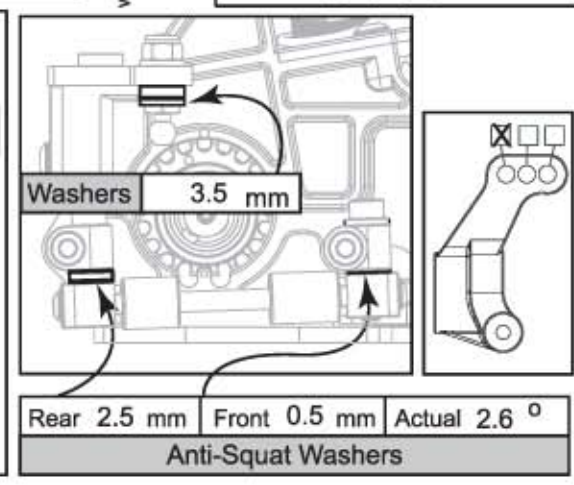
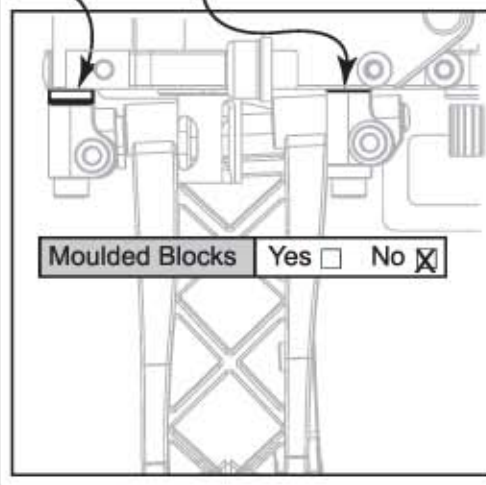
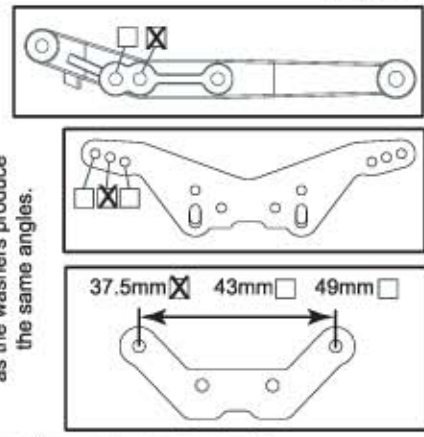


Driver and Event	
Name	TOM COCKERILL
Date	
Event	ROBIN HOOD RACEWAY
Weather	
Result	T.Q
Track Conditions	
Grip Level	HIGH
Surface	MULTI / ASTRO
Track Condition	GOOD
Temperature	
Electrics	
E.S.C	SPEED PASSION
Servo	
Receiver	
Li-Po	
Motor	SPEED PASSION 6.5
Spur	83T
Pinion	23T
Internal Ratio	2.58:1
Wheels - Tyres - Inserts	
Front Wheels	SCHUMACHER
Front Inserts	GREEN TUBBY
Front Tyres	YELLOW MINISPIKE
Rear Wheels	SCHUMACHER
Rear Inserts	GREEN TUBBY
Rear Tyres	YELLOW MINISPIKE
Transmission	
Rear Diff Height	HIGH
Front Diff Height	HIGH
Front Layshaft Pulley	
One Way	<input type="checkbox"/> Fixed <input type="checkbox"/> F.A.B <input checked="" type="checkbox"/>
Front Drive	DIFF
Front Overdrive	NO
Chassis	
Carbon Fibre	<input checked="" type="checkbox"/> S1 <input type="checkbox"/>

Rear Suspension	
Pivot Pin Height	High <input type="checkbox"/> Low <input checked="" type="checkbox"/>
Wheelbase	Short <input type="checkbox"/> Medium <input type="checkbox"/> Long <input checked="" type="checkbox"/>
Roll Bar	No <input checked="" type="checkbox"/> 1.2 <input type="checkbox"/> 1.4 <input type="checkbox"/> 1.6 <input type="checkbox"/>

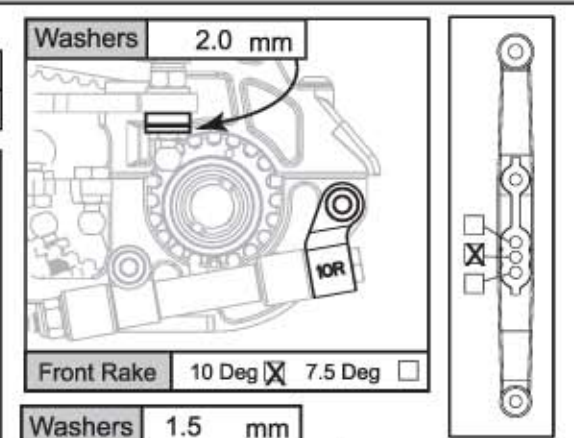
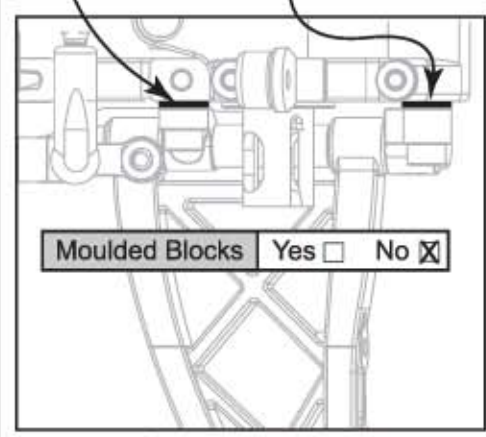
Equal Washers = 0° Toe-in		
0.50 Difference = 0.65° Toe-in		
1.00 Difference = 1.30° Toe-in		
1.50 Difference = 1.95° Toe-in		
2.00 Difference = 2.60° Toe-in		
2.50 Difference = 3.25° Toe-in		
3.00 Difference = 3.90° Toe-in		
Toe-in / Rear Track Washers		
Rear 3.0 mm	Front 1.0 mm	Actual 2.6 °

Note: The Anti-Squat Angle is worked out using the Toe-in Chart as the washers produce the same angles.

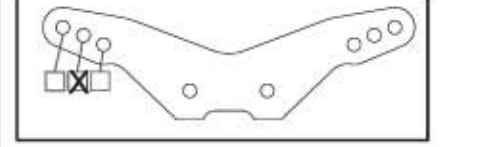


Front Suspension	
------------------	--

Front Track Washers	
Rear 1.0 mm	Front 1.0 mm



Roll Bar	No <input checked="" type="checkbox"/> 1.2 <input type="checkbox"/> 1.4 <input type="checkbox"/> 1.6 <input type="checkbox"/>
----------	---

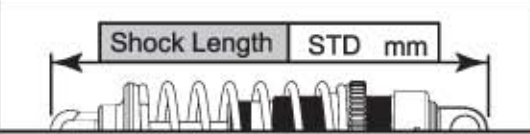


Rear Shocks	
-------------	--

Oil	32.5W	Springs	2.0R
-----	-------	---------	------

Piston Holes	2 <input type="checkbox"/> 3 <input type="checkbox"/> 4 <input type="checkbox"/> 5 <input checked="" type="checkbox"/> 6 <input type="checkbox"/>
--------------	---

Diaphragm Spec	STD
----------------	-----

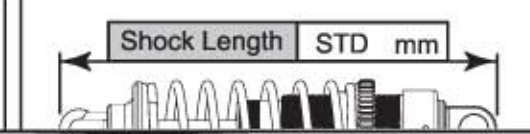


Front Shocks	
--------------	--

Oil	37.5W	Springs	4.0F
-----	-------	---------	------

Piston Holes	2 <input type="checkbox"/> 3 <input type="checkbox"/> 4 <input checked="" type="checkbox"/> 5 <input type="checkbox"/> 6 <input type="checkbox"/>
--------------	---

Diaphragm Spec	STD
----------------	-----



Notes	